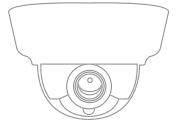
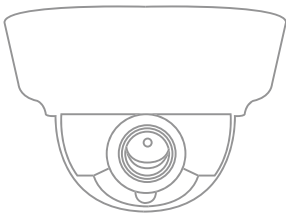




VERSION 1



NETWORK CAMERA

Box Camera 05

IPC541E-DLC	05
IPC542E-DLC	06
IPC542E-DUC	07
IPC542E-DUG	08
IPC562E-DUG	09

Bullet Camera 10

IPC2121SR3 Series	10
IPC2122SR3 Series	11
IPC2122SR3-UPF36 (60)	12
IPC2124SR3 Series	13
IPC2124SR3-DPF36 (60)-16G	14
IPC2211SR3 Series	15
IPC221ER-DF36	16
IPC221E-DIR-F60 (120)-IN	17
IPC222ER-F36	18
IPC222E-IR-F60 (120)-IN	19
IPC2321EBR-P	20
IPC2322EBR-P	21
IPC2324EBR-DP	22
IPC2322EBR-DPZ28	23
IPC2324EBR-DPZ28	24
IPC262ER9 Series	25
IPC262EFW-DUZ	26
IPC252ERA-X22DUG	27
IPC242E-DLIR-IN	28
IPC242ER5-DL	29
IPC242E-IR-Z	30
IPC241L-IR-IN	31
IPC241E-DLIR-IN	32
IPC241ER5-DL	33
IPC241E-IR (-Z)-IN	34
IPC242L-IR-IN	35

Fixed Dome Camera 36

IPC321SR3-VSPF28 (40) (60)	36
IPC322ER3-DVPF28 (36) (60)	37
IPC324ER3-DVPF28 (36) (60)	38
IPC3611SR3 Series	39
IPC3612SR3 Series	40
IPC3614SR3-DPF28 (36) (60)	41
IPC3614SR3-DPF28 (36) (60) M	42
IPC3611ER3 Series	43
IPC3612ER3 Series	44
IPC3612ER3-PF28 (36) (60) M	45
IPC341LR-V	46
IPC341E-DLVIR-IN	47
IPC341E-VIR-Z-IN	48
IPC342LR-V	49
IPC342E-DLVIR-IN	50
IPC342E-VIR-Z-IN	51
IPC312SR-VPF28 (36)	52
IPC314SR-DVPF28 (36)	53
IPC3231ER-DV (VS)	54
IPC3232ER-DV (VS)	55
IPC3234SR-DV	56
IPC3232ER3-DVZ28	57
IPC3234SR3-DVZ28	58
IPC3232ER3-DUV	59
IPC3232ER3-DUVZ	60
IPC868ER-VF18	61

PTZ Dome Camera 62

IPC6221ER-X20 (P)	62
IPC6221LR-X20S (P)	63
IPC6221ER-X30 (P)	64
IPC6222ER-X20 (P)	65
IPC6222ER-X30 (P)	66
IPC642E-X22I-IN	67
IPC642E-X22-IN	68
IPC642E-X30N	69
IPC6242SR-X22	70
IPC6242SR-X30	71
IPC6241SR-X30	72
IPC6242SR-X33G-IA	73
IPC6252SR-X22U(G)	74
IPC6252SR-X33U	75
IPC6252SFW-X22U	76
IPC6242SL-X22	77
IPC6242SL-X33	78
IPC6253SR-X33	79
IPC6248SR-X22	80

Content



NVR

H.264 NVR 82

NVR201L Series	82
NVR201-04LP	83
NVR201-08LP	84
NVR201EP Series	85
NVR202E Series	86
NVR202EP Series	87
NVR204E Series	88
NVR208 Series	89

4K & H.265 NVR 90

NVR301-P Serieses	90
NVR301-L-P Series	91
NVR301E Series	92
NVR302EP Series	93
NVR304E Series	94
NVR304EP Series	95
NVR308E Series	96
NVR308R Series	97
NVR516 Series	98

ENCODER & DECODER

Encoder 100

DVS4104	100
DVS4116	101

Decoder 102

DC4304-IN	102
DC4308-IN	103
DC5301	104

STORAGE

DEU1008 Disk Enclosure	106
DEU1016 Disk Enclosure	107

Naming Structure

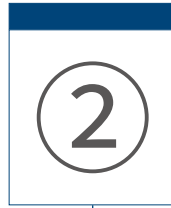
Network Camera

Model Name	①	②	③	④	⑤	⑥		⑦
IPC3611SR3-DPF60	IPC	36	1	1	S	R3	-	DPF60
IPC242ER5-DL	IPC	2	4	2	E	R5	-	DL
IPC6242SL-X33G	IPC	62	4	2	S	L	-	X33G



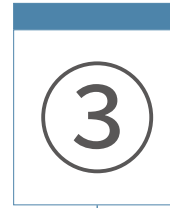
Product

IPC: Network Camera



Type & Generation

1: Module(Zoom camera)
 2: G1 Bullet
 22: G2 Fixed Lens Bullet
 23: G2 Varifocal Bullet
 3: G1 Dome
 32: G2 Fixed Lens Dome
 36: Fixed Lens Turret Dome
 5: Box Camera
 6: G1 PTZ Dome
 62: G2 PTZ Dome
 63: G2 Mini PTZ Dome
 7: PTZ Camera
 8: Sepcial Camera
 81: Pinhole Camera
 82: Cube Camera



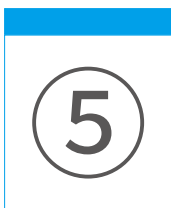
Market

1: Entry level
 3: Mid-range
 4: Mid to high



Resolution

1: 1MP/1.3MP
 2: 2MP
 3: 3MP
 8: 8MP



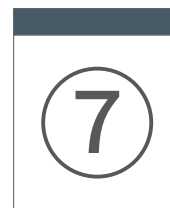
Subtype

M: Mini
 L: Lite
 S: Standard
 E: Enhanced



Form

I: Indoor
 A: All-weather
 R: IR
 R1: 10-20m IR
 R3: 30-40m IR
 R5: 50-60m IR
 L: IR LASER



Discription

Main Feature:
 X?: ?x Optical Zoom
 D: Hardware WDR
 L: Low-light
 U: Ultra Low-light
 IA: Intelligent Analysis
 CM: Corridor Mode
Additional Feature:
 V: Vandal-resistant
 S: Simplified cable
 P: PoE
 N: Network Module
Lens:
 F?: ?/10mm Fixed Lens
 Z: Motorized Lens
Network interface:
 W: WIFI
 G: SFP Slot (Fiber)

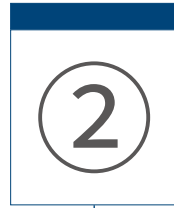
Network Video Recorder

Model Name	①	②	③		④	⑤	⑥
NVR301-08L-P8	NVR	3	01	-	08	L	-P8
NVR304-16EP	NVR	3	04	-	16	E	P



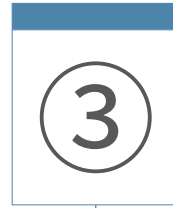
Product

NVR: Network Video Recorder



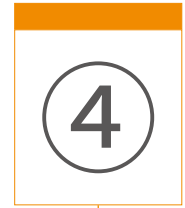
Series

2: Entry Series
3: High-end Series
5: Project Series



HDD

01: 1 HDD
02: 2 HDDs
04: 4 HDDs
08: 8 HDDs
16: 16 HDDs



Video Input

04: 4-ch
08: 8-ch
16: 16-ch
24: 24-ch
32: 32-ch
48: 48-ch
64: 64-ch
128:128-ch



Type

E: Enhanced
L: Plastic



Subtype

P: PoE
Px: x PoE Ports

NETWORK CAMERA



IPC541E-DLC

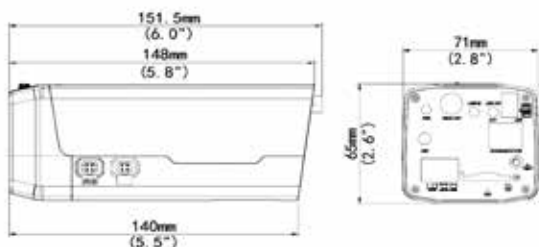
1.3MP WDR Low-light Network Box Camera



Key Features

- 1/3" progressive scan CMOS
- Up to 1280 × 960 resolution, 30fps
- 120dB True WDR
- HLC, 3D DNR, ROI, Corridor Mode, ONVIF
- Motor Zoom/focus ports
- AC24V, DC12V, PoE, wide voltage range of ±25%

Dimensions



Accessories



TR-WM06-C-IN HS-215SHB-IN TR-UP06-IN TR-WM06-A-IN

Specifications

IPC541E-DLC	
Camera	
Sensor	1/3", 1.3 megapixel, progressive scan CMOS
Day/Night	IR-cut filter with auto switch (ICR)
Shutter	Auto/Manual, 1/6 ~ 1/8000 s
Min. Illumination	Colour: 0.02 Lux (F1.2, 50IRE) Black & White: 0.008 Lux (F1.2, 50IRE)
S/N	>50dB
WDR	120dB
Lens Mount	C/CS
DC-Iris	DC 4V (4 Pins)
Motor Zoom/focus	DC 5V (4 Pins)
Video	
Max. Resolution	1280 × 960
Video Compression	H.264, MPEG
Frame Rate	960P (1280 × 960) 30 fps; 720P (1280 × 720) 30 fps; D1 (720 × 576) 25 fps
9:16 Corridor Mode	Supported
ROI	Supported
Video Streaming	Double
OSD	Up to 8 OSDs
Privacy Mask	Up to 4 areas
Audio	
Audio Compression	G.711
Two-way audio	Supported
Storage	
Edge Storage	Micro SD, up to 64 GB
Network	
Protocols	L2TP, IPv4, IGMP, ICMP, ARP, TCP, UDP, DHCP, PPPoE, RTP, RTSP, NTP, FTP, HTTP, SNMP, SIP
Compatible Integration	ONVIF, IMOS, API
Interface	
Audio I/O	3.5 mm audio interface
	Input: impedance 35 kΩ; amplitude 2 V [p-p] Output: impedance 600 Ω; amplitude 2 V [p-p]
Alarm I/O	2 / 1
Serial Port	1 RS485 (support Pelco-D/P)
Network	10M/100M Base-TX Ethernet
Video Output	1 BNC, impedance 75 Ω; amplitude 1 V [p-p]
General	
Power	24 V AC, 12 V DC, or PoE (IEEE802.3 af)
	Power consumption: 4.8 W (6.8W with ICR on)
Dimensions (L × W × H)	151.5 × 71 × 65 mm (6.0" × 2.8" × 2.6") (excluding the lens)
Weight	0.48 kg (1.1 lb)
Working Environment	-20° C ~ +60° C (-4° F ~ 140° F), Humidity ≤ 90% RH (non-condensing)

IPC542E-DLC

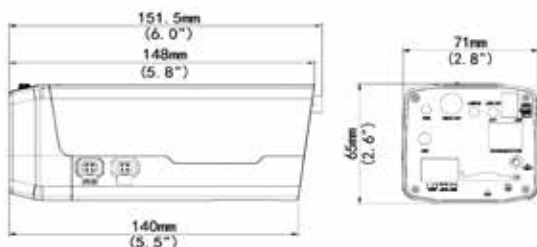
2MP WDR Low-light Network Box Camera



Key Features

- 1/2.8" progressive scan CMOS
- Up to 1920 × 1080 resolution, 30fps
- 120dB True WDR
- HLC, 3D DNR, ROI, Corridor Mode, ONVIF
- Motor Zoom/focus ports
- AC24V, DC12V, PoE, wide voltage range of ±25%

Dimensions



Accessories



TR-WM06-C-IN HS-215SHB-IN TR-UP06-IN TR-WM06-A-IN

Specifications

IPC542E-DLC	
Camera	
Sensor	1/2.8", 2 megapixel, progressive scan CMOS
Day/Night	IR-cut filter with auto switch (ICR)
Shutter	Auto/Manual, 1/6 ~ 1/8000 s
Min. Illumination	Colour: 0.02 Lux (F1.2, 50IRE) Black & White: 0.008 Lux (F1.2, 50IRE)
S/N	>52dB
WDR	120dB
Lens Mount	C/CS
DC-Iris	DC 4V (4 Pins)
Motor Zoom/focus	DC 5V (4 Pins)
Video	
Max. Resolution	1920 × 1080
Video Compression	H.264, MJPEG
Frame Rate	1080P (1920 × 1080) 30 fps; 720P (1280 × 720) 30 fps; D1 (720 × 576) 25 fps
9:16 Corridor Mode	Supported
ROI	Supported
Video Streaming	Triple
OSD	Up to 8 OSDs
Privacy Mask	Up to 4 areas
Audio	
Audio Compression	G.711
Two-way audio	Supported
Storage	
Edge Storage	Micro SD, up to 128 GB
Network	
Protocols	L2TP, IPv4, IGMP, ICMP, ARP, TCP, UDP, DHCP, PPPoE, RTP, RTSP, NTP, FTP, HTTP, SNMP, SIP
Compatible Integration	ONVIF, API
Interface	
Audio I/O	3.5 mm audio interface Input: impedance 35 kΩ; amplitude 2 V [p-p] Output: impedance 600 Ω; amplitude 2 V [p-p]
Alarm I/O	2 / 1
Serial Port	1 RS485 (support Pelco-D/P)
Network	10M/100M Base-TX Ethernet
Video Output	1 BNC, impedance 75 Ω; amplitude 1 V [p-p]
General	
Power	24 V AC, 12 V DC, or PoE (IEEE802.3 af) Power consumption: 4.8 W (6.8W with ICR on)
Dimensions (L x W x H)	151.5 × 71 × 65 mm (6.0" × 2.8" × 2.6") (excluding the lens)
Weight	0.48 kg (1.1 lb)
Working Environment	-20° C ~ +60° C (-4° F ~ 140° F), Humidity ≤ 90% RH (non-condensing)

IPC542E-DUC

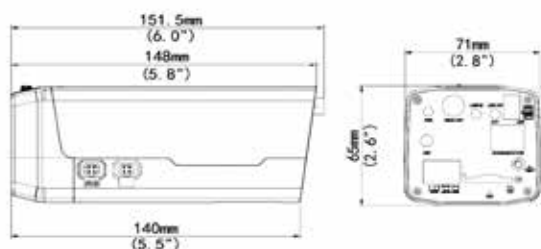
2MP WDR Starlight Network Box Camera



Key Features

- 1/1.9" progressive scan CMOS
- Up to 1920 × 1080 resolution, 30fps
- 120dB True WDR
- HLC, 3D DNR, ROI, Corridor Mode, ONVIF
- Motor Zoom/focus ports
- AC24V, DC12V, PoE, wide voltage range of ±25%

Dimensions



Accessories



TR-WM06-C-IN HS-215SHB-IN TR-UP06-IN TR-WM06-A-IN

Specifications

IPC542E-DUC	
Camera	
Sensor	1/1.9" CMOS, progressive scan
Day & Night	Automatically removable IR-cut filter(ICR)
Shutter	Auto/Manual, 1/6 ~ 1/8000 s
Min. Illumination	Colour: 0.002 Lux (F1.2, AGC ON) 0 Lux with IR
S/N	>52dB
WDR	120dB
Lens Mount	C/CS
DC-Iris	DC 4V (4-Pin)
Motor Zoom/focus	DC 5V (4-Pin)
Video	
Max. Resolution	1920 × 1080
Video Compression	H.264, MJPEG
Frame Rate	1080P (1920 × 1080): Max. 30 fps; 720P (1280 × 720): Max. 30 fps; D1 (720 × 576): Max. 25 fps
9:16 Corridor Mode	Supported
ROI	Supported
Video Streaming	Triple
OSD	Up to 8 OSDs
Privacy Mask	Up to 4 areas
Audio	
Audio Compression	G.711
Two-way Talking	Supported
Storage	
Edge Storage	Micro SD, up to 128 GB
Network	
Protocols	L2TP, IPv4, IGMP, ICMP, ARP, TCP, UDP, DHCP, PPPoE, RTP, RTSP, NTP, FTP, HTTP, SNMP, SIP
Compatible Integration	ONVIF, API
Interface	
Audio I/O	3.5 mm audio interface Input: impedance 35 kΩ; amplitude 2 V [p-p] Output: impedance 600 Ω; amplitude 2 V [p-p]
Alarm I/O	2 / 1
Serial Port	1 RS485 (support Pelco-D/P)
Network	10M/100M Base-TX Ethernet
Video Output	1 BNC, impedance 75 Ω; amplitude 1 V [p-p]
General	
Power	24 V AC, 12 V DC, or PoE (IEEE802.3 af) Power consumption: 4.8W (6.8W with ICR on)
Dimensions (L × W × H)	151.5 × 71 × 65 mm (6.0" × 2.8" × 2.6") (excluding the lens)
Weight	0.48 kg (1.1 lb)
Working Environment	-20° C ~ 60° C (-4° F ~ 140° F), Humidity ≤ 90% RH (non-condensing)

IPC542E-DUG

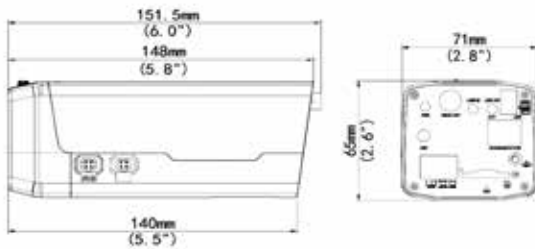
2MP WDR Starlight Network Box Camera



Key Features

- 1/1.9" progressive scan CMOS
- Up to 1920 × 1080 resolution, 30fps
- 120dB True WDR
- Optical fiber interface
- Optical defog
- Motor Zoom/focus ports
- AC24V, DC12V, PoE, wide voltage range of ±25%

Dimensions



Accessories



TR-WM06-C-IN HS-215SHB-IN TR-UP06-IN TR-WM06-A-IN

Specifications

IPC542E-DUG	
Camera	
Sensor	1/1.9" CMOS, progressive scan
Day & Night	Automatically removable IR-cut filter(ICR)
Shutter	Auto/Manual, 1/6 ~ 1/8000 s
Min. Illumination	Colour: 0.002 Lux (F1.2, AGC ON) 0 Lux with IR
S/N	>52dB
WDR	120dB
Lens Mount	C/CS
DC-Iris	DC 4V (4-Pin)
Motor Zoom/focus	DC 5V (4-Pin)
Video	
Max. Resolution	1920 × 1080
Video Compression	H.264, MJPEG
Frame Rate	1080P (1920 × 1080): Max. 30 fps; 720P (1280 × 720): Max. 30 fps; D1 (720 × 576): Max. 25 fps
9:16 Corridor Mode	Supported
ROI	Supported
Video Streaming	Triple
OSD	Up to 8 OSDs
Privacy Mask	Up to 4 areas
Audio	
Audio Compression	G.711
Two-way Talking	Supported
Storage	
Edge Storage	Micro SD, up to 128 GB
Network	
Protocols	L2TP, IPv4, IGMP, ICMP, ARP, TCP, UDP, DHCP, PPPoE, RTP, RTSP, NTP, FTP, HTTP, SNMP, SIP
Compatible Integration	ONVIF, API
Interface	
Audio I/O	3.5 mm audio interface Input: impedance 35 kΩ; amplitude 2 V [p-p] Output: impedance 600 Ω; amplitude 2 V [p-p]
Alarm I/O	2 / 1
Serial Port	1 RS485 (support Pelco-D/P)
Network	100M Base-FX SFP+10M/100M Base-TX Ethernet
Video Output	1 BNC, impedance 75 Ω; amplitude 1 V [p-p]
General	
Power	24 V AC, 12 V DC, or PoE (IEEE802.3 af) Power consumption: 4.8W (6.8W with ICR on)
Dimensions (L x W x H)	151.5 × 71 × 65 mm (6.0" × 2.8" × 2.6") (excluding the lens)
Weight	0.48 kg (1.1 lb)
Working Environment	-20° C ~ 60° C (-4° F ~ 140° F), Humidity ≤ 90% RH (non-condensing)

IPC562E-DUG

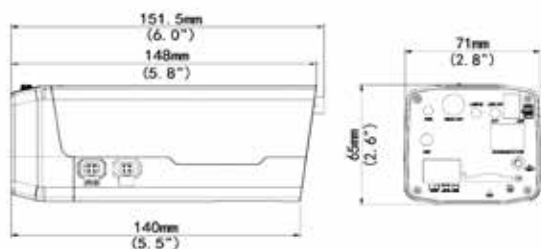
2MP WDR Starlight Network Box Camera



Key Features

- 1/1.9" progressive scan CMOS
- Up to 1920 × 1080 resolution, 60fps
- 120dB True WDR
- ABF
- Optical fiber interface
- HLC, 3D DNR, ROI, Corridor Mode, ONVIF
- Motor Zoom/focus ports
- AC24V, DC12V, PoE, wide voltage range of ±25%

Dimensions



Accessories



TR-WM06-C-IN HS-215SHB-IN TR-UP06-IN TR-WM06-A-IN

Specifications

IPC562E-DUG	
Camera	
Sensor	1/1.9" CMOS, progressive scan
Day & Night	Automatically removable IR-cut filter (ICR)
Shutter	Auto/Manual, 1/6 ~ 1/8000 s
Min. Illumination	Colour: 0.002 Lux (F1.2, AGC ON) 0 Lux with IR
S/N	>52dB
WDR	120dB
Lens Mount	CS
DC-Iris	DC 4V (4-Pin)
Motor Zoom/focus	D C 5V (4-Pin)
Video	
Max. Resolution	1920 × 1080
Video Compression	H.265, H.264
Frame Rate	1080P (1920 × 1080): Max. 60 fps; 720P (1280 × 720): Max. 60 fps; D1 (720 × 576): Max. 60 fps
9:16 Corridor Mode	Supported
ROI	Supported
Defog	Optical/Digital
Video Streaming	Triple
OSD	Up to 8 OSDs
Privacy Mask	Up to 4 areas
Audio	
Audio Compression	G.711
Two-way Talking	Supported
Storage	
Edge Storage	Micro SD, up to 128 GB
Network	
Protocols	L2TP, IPv4, IGMP, ICMP, ARP, TCP, UDP, DHCP, PPPoE, RTP, RTSP, DNS, DDNS, NTP, FTP, UPnP, HTTP, SNMP, SIP
Compatible Integration	ONVIF, API
Interface	
Audio I/O	3.5 mm audio interface Input: impedance 35 kΩ; amplitude 2 V [p-p] Output: impedance 600 Ω; amplitude 2 V [p-p]
Alarm I/O	2 / 1
Serial Port	1 RS485 (support Pelco-D/P)
Network	100M/1000M Base-FX SFP + 100M/1000M Base-TX Ethernet
Video Output	1 BNC, impedance 75 Ω; amplitude 1 V [p-p]
General	
Power	24 V AC, 12 V DC, or PoE (IEEE802.3 af) Power consumption: 4.8W (6.8W with ICR on)
Dimensions (L x W x H)	151.5 × 71 × 65 mm (6.0" × 2.8" × 2.6") (excluding the lens)
Weight	0.48 kg (1.1 lb)
Working Environment	-20° C ~ 60° C (-4° F ~ 140° F), Humidity ≤ 90% RH (non-condensing)

IPC2121SR3 Series

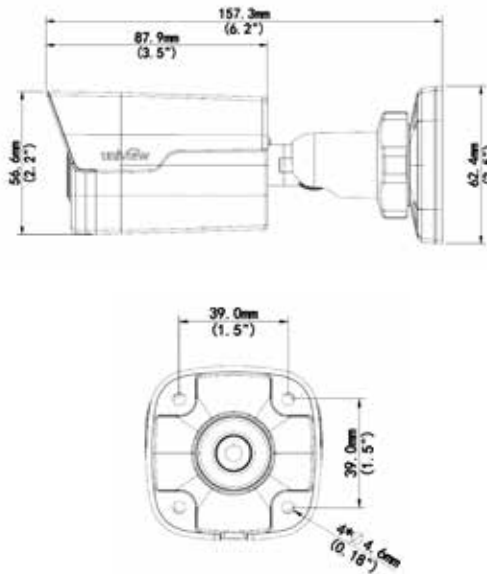
1.3MP Network IR Mini Bullet Camera



Key Features

- 1/3" progressive scan CMOS
- Up to 1280 × 960 resolution
- 3.6mm/6mm/12mm optional
- Smart IR, up to 30m IR distance
- DC12V, PoE, wide voltage range of ±25%
- IP66

Dimensions



Accessories



TR-UP06-A-IN



TR-JB07-IN



TR-UP06-IN

Specifications

	IPC2121SR3-PF36	IPC2121SR3-PF60	IPC2121SR3-PF120
Camera			
Sensor	1/3", 1.3 megapixel, progressive scan, CMOS		
Lens	3.6mm @ F1.8 Angle of view(H): 76.7°	6.0mm @ F1.8 Angle of view(H): 46.9°	12.0mm @ F1.8 Angle of view(H): 24.2°
Shutter	Auto/Manual, 1/6 ~ 1/8000 s		
Min. Illumination	Colour: 0.06 Lux (F1.4, 50IRE) 0 Lux with IR on		
Day/Night	IR-cut filter with auto switch (ICR)		
IR Range	Up to 30m (98 ft) IR range		
S/N	>50dB		
WDR	Digital		
Noise Reduction	2D/3D		
Video			
Max. Resolution	1280 × 960		
Video Compression	H.264/MJPEG		
Frame Rate	960P (1280 × 960): Max. 25 fps; 720P (1280 × 720): Max. 30 fps; D1 (720 × 576): Max. 25 fps		
Video Streaming	Triple		
ROI	Supported		
OSD	Up to 8 OSDs		
Motion Detection	Up to 2 areas		
Privacy Mask	Up to 4 areas		
Network			
Protocols	L2TP, IPv4, IGMP, ICMP, ARP, TCP, UDP, DHCP, PPPoE, RTP, RTSP, DNS, DDNS, NTP, FTP, UPnP, HTTP, HTTPS, SMTP, SNMP, SIP, QoS		
Compatible Integration	ONVIF, API		
Interface			
Network	1 RJ45 10M/100M Base-TX Ethernet		
General			
Power	12 V DC, or PoE (IEEE802.3 af) Power consumption: Max 6.4 W		
Dimensions (L × W × H)	157.3 × 62.4 × 63 mm (6.2" × 2.5" × 2.5")		
Weight	0.45 kg (0.99 lb)		
Working Environment	-35° C ~ +60° C (-31° F ~ 140° F), Humidity ≤ 90% RH (non-condensing)		
Ingress Protection	IP66		

IPC2122SR3 Series

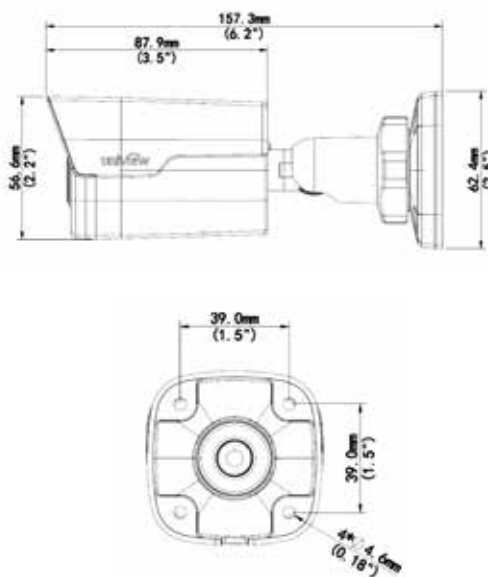
2MP Network IR Mini Bullet Camera



Key Features

- 1/2.8" progressive scan CMOS
- Up to 1920 × 1080 resolution
- 3.6mm/6mm/12mm optional
- Smart IR, up to 30m IR distance
- DC12V, PoE, wide voltage range of ±25%
- IP66

Dimensions



Accessories



TR-UP06-A-IN



TR-JB07-IN



TR-UP06-IN

Specifications

	IPC2122SR3-PF36	IPC2122SR3-PF60	IPC2122SR3-PF120
Camera			
Sensor	1/2.8", 2.0 megapixel, progressive scan, CMOS		
Lens	3.6mm @ F1.8 Angle of view (H): 85°	6.0mm @ F1.8 Angle of view (H): 53°	12.0mm @ F1.8 Angle of view (H): 27°
Shutter	Auto/Manual, 1/6 ~ 1/8000 s		
Min. Illumination	Colour: 0.02 Lux (F1.8, AGC ON) 0 Lux with IR on		
Day/Night	IR-cut filter with auto switch (ICR)		
IR Range	Up to 30m (98 ft) IR range		
S/N	>52dB		
WDR	Digital		
Noise Reduction	2D/3D		
Video			
Max. Resolution	1920×1080		
Video Compression	H.264/MJPEG		
Frame Rate	1080P (1920 × 1080): Max. 30 fps; 720P (1280 × 720): Max. 30 fps; D1 (720 × 576): Max. 25 fps		
Video Streaming	Triple		
ROI	Supported		
OSD	Up to 8 OSDs		
Motion Detection	Up to 2 areas		
Privacy Mask	Up to 4 areas		
Network			
Protocols	L2TP, IPv4, IGMP, ICMP, ARP, TCP, UDP, DHCP, PPPoE, RTP, RTSP, DNS, DDNS, NTP, FTP, UPnP, HTTP, HTTPS, SMTP, SNMP, SIP, QoS		
Compatible Integration	ONVIF, API		
Interface			
Network	1 RJ45 10M/100M Base-TX Ethernet		
General			
Power	12 V DC, or PoE (IEEE802.3 af) Power consumption: Max 6.4 W		
Dimensions (L × W × H)	157.3 × 62.4 × 63 mm (6.2" × 2.5" × 2.5")		
Weight	0.45 kg (0.99 lb)		
Working Environment	-35° C ~ +60° C (-31° F ~ 140° F), Humidity ≤ 90% RH (non-condensing)		
Ingress Protection	IP66		

IPC2122SR3-UPF36 (60)

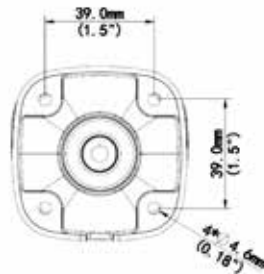
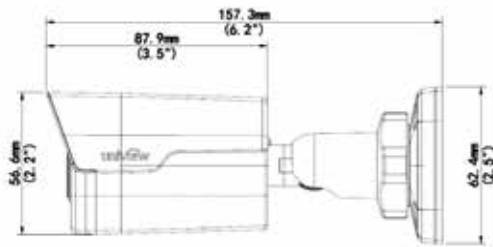
2MP Starlight Network IR Mini Bullet Camera



Key Features

- 1/2.8" progressive scan CMOS
- Starlight illumination
- Up to 1920×1080 resolution, 30fps
- 3.6mm/6mm optional
- H.265, ONVIF
- Smart IR, up to 30m IR distance
- DC12V, PoE, wide voltage range of ±25%
- IP66

Dimensions



Accessories



TR-UP06-A-IN



TR-JB07-IN



TR-UP06-IN

Specifications

	IPC2122SR3-UPF36	IPC2122SR3-UPF60
Camera		
Sensor	1/2.8", 2.0 megapixel, progressive scan, CMOS	
Lens	3.6mm @ F1.8 Angle of view (H): 83°	6.0mm @ F1.8 Angle of view (H): 52°
Shutter	Auto/Manual, 1/6~1/8000 s	
Min. Illumination	Colour: 0.002 Lux (F1.8, AGC ON) 0 Lux with IR on	
Day/Night	IR-cut filter with auto switch (ICR)	
IR Range	Up to 30m (98 ft) IR range	
S/N	>52dB	
WDR	Digital	
Noise Reduction	2D/3D	
Video		
Max. Resolution	1920 × 1080	
Video Compression	H.265, H.264, MJPEG	
Frame Rate	1080P (1920 × 1080): Max. 30 fps; 720P (1280 × 720): Max. 30 fps; D1 (720 × 576): Max. 25 fps	
Video Streaming	Triple	
9:16 Corridor Mode	Supported	
ROI	Supported	
OSD	Up to 8 OSDs	
Motion Detection	Up to 2 areas	
Privacy Mask	Up to 4 areas	
Network		
Protocols	L2TP, IPv4, IGMP, ICMP, ARP, TCP, UDP, DHCP, PPPoE, RTP, RTSP, DNS, DDNS, NTP, FTP, UPnP, HTTP, HTTPS, SMTP, SNMP, SIP, QoS	
Compatible Integration	ONVIF, API	
Interface		
Network	1 RJ45 10M/100M Base-TX Ethernet	
General		
Power	12 V DC, or PoE (IEEE802.3 af) Power consumption: Max 6.4 W	
Dimensions (L × W × H)	157.3 × 62.4 × 63 mm (6.2" × 2.5" × 2.5")	
Weight	0.45 kg (0.99 lb)	
Working Environment	-35° C ~ +60° C (-31° F ~ 140° F), Humidity ≤ 95% RH (non-condensing)	
Ingress Protection	IP66	

IPC2124SR3 Series

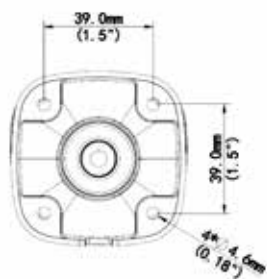
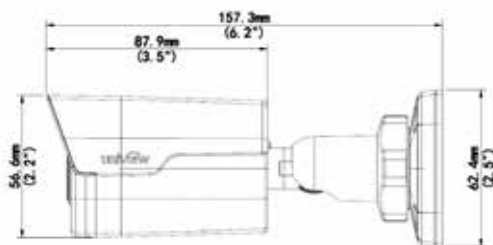
4MP WDR Network IR Mini Bullet Camera



Key Features

- 1/3" 4MP, progressive scan CMOS
- 2560 × 1440 resolution, 25fps
- 3.6mm/6mm/12mm optional
- Smart IR, up to 30m IR distance
- H.265, ONVIF
- DC12V, PoE, wide voltage range of ±25%
- IP66

Dimensions



Accessories



TR-UP06-A-IN



TR-JB07-IN



TR-UP06-IN

Specifications

	IPC2124SR3-DPF36	IPC2124SR3-DPF60	IPC2124SR3-DPF120
Camera			
Sensor	1/3", 4.0 megapixel, progressive scan, CMOS		
Lens	3.6mm @ F1.8 Angle of view (H): 87°	6.0mm @ F1.8 Angle of view (H): 62°	12.0mm @ F1.8 Angle of view (H): 25°
Shutter	Auto/Manual, 1/6 ~ 1/8000 s		
Min. Illumination	Colour: 0.02 Lux (F1.8, AGC ON) 0 Lux with IR on		
Day/Night	IR-cut filter with auto switch (ICR)		
IR Range	Up to 30m (98 ft) IR range		
S/N	>55dB		
WDR	120dB		
Noise Reduction	2D/3D		
Video			
Max. Resolution	2592 × 1520		
Video Compression	H.265/H.264/MJPEG		
Frame Rate	4MP (2592 × 1520): Max. 20 fps; 4MP (2560 × 1440): Max. 25 fps; 3MP (2048 × 1520): Max. 30 fps; 1080P (1920 × 1080): Max. 30 fps		
Video Streaming	Triple		
ROI	Supported		
OSD	Up to 8 OSDs		
Motion Detection	Up to 2 areas		
Privacy Mask	Up to 4 areas		
Network			
Protocols	L2TP, IPv4, IGMP, ICMP, ARP, TCP, UDP, DHCP, PPPoE, RTP, RTSP, DNS, DDNS, NTP, FTP, UPnP, HTTP, HTTPS, SMTP, SNMP, SIP, QoS		
Compatible Integration	ONVIF, API		
Interface			
Network	1 RJ45 10M/100M Base-TX Ethernet		
General			
Power	12 V DC, or PoE (IEEE802.3 af) Power consumption: Max 6.4 W		
Dimensions (L × W × H)	157.3 × 62.4 × 63 mm (6.2" × 2.5" × 2.5")		
Weight	0.45 kg (0.99 lb)		
Working Environment	-35° C ~ +60° C (-31° F ~ 140° F), Humidity ≤ 95% RH (non-condensing)		
Ingress Protection	IP66		

IPC2124SR3-DPF36 (60)-16G

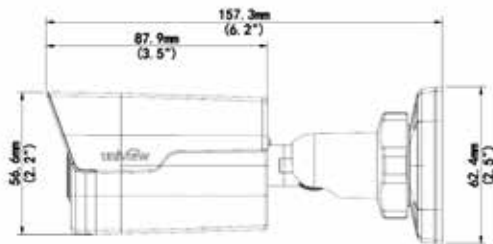
4MP WDR Network IR Mini Bullet Camera



Key Features

- 1/3" 4MP, progressive scan CMOS
- 2560 × 1440 resolution, 25fps
- 3.6mm/6mm optional
- 16GB eMMC
- Smart IR, up to 30m IR distance
- H.265, ONVIF
- DC12V, PoE, wide voltage range of ±25%
- IP66

Dimensions



Accessories



TR-UP06-A-IN



TR-JB07-IN



TR-UP06-IN

Specifications

	IPC2124SR3-DPF36-16G	IPC2124SR3-DPF60-16G
Camera		
Sensor	1/3", 4.0 megapixel, progressive scan, CMOS	
Lens	3.6mm @ F1.8 Angle of view (H): 87°	6.0mm @ F1.8 Angle of view (H): 62°
Shutter	Auto/Manual, 1/6 ~ 1/8000 s	
Min. Illumination	Colour: 0.02 Lux (F1.8, AGC ON) 0 Lux with IR on	
Day/Night	IR-cut filter with auto switch (ICR)	
IR Range	Up to 30m (98 ft) IR range	
S/N	>55dB	
WDR	120dB	
Noise Reduction	2D/3D	
Video		
Max. Resolution	2592 × 1520	
Video Compression	H.265, H.264, MJPEG	
Frame Rate	4MP (2592 × 1520): Max. 20 fps; 4MP (2560 × 1440): Max. 25 fps 3MP (2048 × 1520): Max. 30 fps; 1080P (1920 × 1080): Max. 30 fps	
Video Streaming	Triple	
9:16 Corridor Mode	Supported	
ROI	Supported	
OSD	Up to 8 OSDs	
Motion Detection	Up to 2 areas	
Privacy Mask	Up to 4 areas	
Storage		
Edge Storage	16 GB eMMC	
Network		
Protocols	L2TP, IPv4, IGMP, ICMP, ARP, TCP, UDP, DHCP, PPPoE, RTP, RTSP, DNS, DDNS, NTP, FTP, UPnP, HTTP, HTTPS, SMTP, SNMP, SIP, QoS	
Compatible Integration	ONVIF, API	
Interface		
Network	1 RJ45 10M/100M Base-TX Ethernet	
General		
Power	12 V DC, or PoE (IEEE802.3 af) Power consumption: Max 6.4 W	
Dimensions (L × W × H)	157.3 × 62.4 × 63 mm (6.2" × 2.5" × 2.5")	
Weight	0.45 kg (0.99 lb)	
Working Environment	-35° C ~ +60° C (-31° F ~ 140° F), Humidity ≤ 95% RH (non-condensing)	
Ingress Protection	IP66	

IPC2211SR3 Series

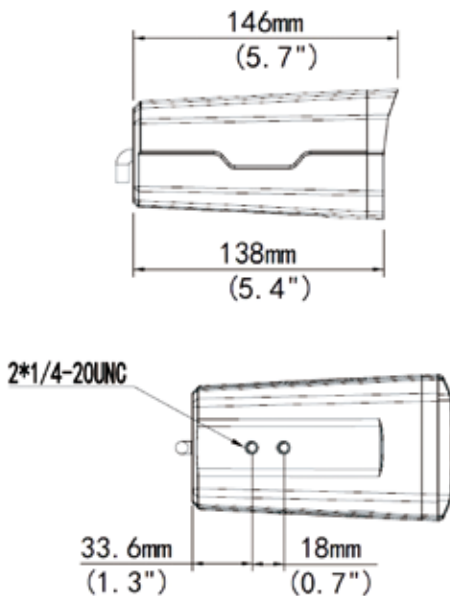
1.3MP Network IR Bullet Camera



Key Features

- 1/3" progressive scan CMOS
- Up to 1280 × 960 resolution, 30fps
- 3.6mm/6mm optional
- Smart IR, up to 30m IR distance
- 3D DNR, ONVIF
- DC12V, PoE, wide voltage range of ±25%
- IP66

Dimensions



Accessories



TR-UM06-A-IN



TR-WM06-C-IN



TR-UP06-A-IN

Specifications

	IPC2211SR3-PF36	IPC2211SR3-PF60
Camera		
Sensor	1/3", 1.3 Megapixel, progressive scan, CMOS	
Lens	3.6mm @ F1.8 Angle of view (H): 76.7°	6mm @ F1.8 Angle of view (H): 46.9°
Shutter	Auto/Manual, 1/6 ~ 1/8000 s	
Day/Night	IR-cut filter with auto switch (ICR)	
IR	Up to 30m (98 ft) IR range	
AWB (Auto white balance)	Auto/manual	
Gain Control	Auto/manual	
WDR	Digital	
Noise Reduction	2D/3D	
Video		
Max. Resolution	1280 × 960	
Video Compression	H.264/MJPEG	
Frame Rate	960P (1280 × 960): Max. 30 fps; 720P (1280 × 720): Max. 30 fps; D1 (720 × 576): Max. 25 fps	
Video Streaming	Triple	
OSD	Up to 8 OSDs	
Motion Detection	Up to 2 areas	
Privacy Mask	Up to 4 areas	
Network		
Protocols	IPv4, IGMP, ICMP, ARP, TCP, UDP, DHCP, RTP, RTSP, Qos, DNS, DDNS, NTP, FTP, UPnP, HTTP	
Compatible Integration	ONVIF	
Interface		
Network	10M/100M Base-TX Ethernet	
General		
Power	12 V DC, or PoE (IEEE802.3 af) 3.5 W (5.5W with IR on)	
Material	Plastics	
Dimensions (L × W × H)	146 × 82.4 × 71.7 mm (5.7" × 3.2" × 2.8")	
Weight	0.26 kg (0.57 lb)	
Working Environment	-35° C ~ +60° C (-31° F ~ 140° F), Humidity ≤ 90% RH (non-condensing)	
Ingress Protection	IP66	

IPC221ER-DF36

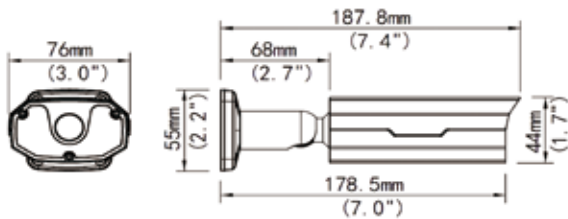
1.3MP WDR Network IR Bullet Camera



Key Features

- 1/3" progressive scan CMOS
- Up to 1280 × 960 resolution, 30fps
- 3.6mm
- Smart IR, up to 30m IR distance
- 120dB True WDR
- 3D DNR, ROI, Corridor Mode, ONVIF
- DC12V, PoE, wide voltage range of ±25%
- IP66

Dimensions



Accessories



TR-UP06-A-IN



TR-JB07-IN



TR-UP06-IN

Specifications

IPC221ER-DF36	
Camera	
Sensor	1/3", 1.3 megapixel, progressive scan CMOS
Shutter	Auto/Manual, 1/6 ~ 1/8000 s
Lens	3.6mm @ F1.8; Angle of View (H): 76°
Day/Night	IR-cut filter with auto switch (ICR)
Min. Illumination	Colour: 0.06 Lux (F1.8, AGC ON) 0 Lux with IR
S/N	>50dB
Image Rotation	Supported
WDR	120dB
Video	
Max. Resolution	1280 × 960
Video Compression	H.264, MJPEG
Frame Rate	960P (1280 × 960) 30 fps; 720P (1280 × 720) 30 fps; D1 (720 × 576) 25 fps
9:16 Corridor Mode	Supported
ROI (Region of Interest)	Supported
Video Streaming	Triple
OSD	Up to 8 OSDs
Privacy Mask	Up to 4 areas
Audio	
Audio Compression	G.711
Two-way audio	Supported
Network	
Protocols	L2TP, IPv4, IGMP, ICMP, ARP, TCP, UDP, DHCP, PPPoE, RTP, RTSP, Qos, NTP, FTP, HTTP, SNMP, SIP
Compatible Integration	ONVIF, API
Interface	
Audio I/O	Audio cable Input: impedance 35 kΩ; amplitude 2 V [p-p] Output: impedance 600 Ω; amplitude 2 V [p-p]
Alarm I/O	1 / 1
Network	10M/100M Base-TX Ethernet
General	
Power	12 V DC or PoE (IEEE802.3 af) Power consumption: 3.5 W (7.5W with IR on)
Dimensions (L × W × H)	187.8 × 76 × 44 mm (7.4" × 3.0" × 1.7")
Weight	0.58 kg (1.28 lb)
Working Environment	-35° C ~ +60° C (-31° F ~ 140° F), Humidity ≤ 90% RH (non-condensing)
Ingress Protection	IP66

IPC221E-DIR-F60 (120)-IN

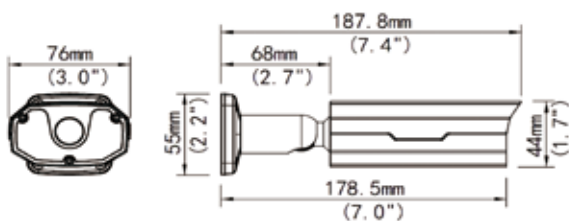
1.3MP WDR Network IR Bullet Camera



Key Features

- 1/3" progressive scan CMOS
- Up to 1280 × 960 resolution, 30fps
- 6mm/12mm optional
- Smart IR, up to 30m IR distance
- 120dB True WDR
- 3D DNR, ROI, Corridor Mode, ONVIF
- DC12V, PoE, wide voltage range of ±25%
- IP66

Dimensions



Accessories



TR-UP06-A-IN



TR-JB07-IN



TR-UP06-IN

Specifications

	IPC221E-DIR-F60-IN	IPC221E-DIR-F120-IN
Camera		
Sensor	1/3", 1.3 megapixel, progressive scan CMOS	
Shutter	Auto/Manual, 1/6 ~ 1/8000s	
Lens	6mm	12 mm
Angle of View (H)	48°	26.3°
Day/Night	IR-cut filter with auto switch (ICR)	
Min. Illumination	Colour: 0.06 Lux (F1.6, AGC ON) 0 Lux with IR	
S/N	>50dB	
Image Rotation	Supported	
WDR	120 dB	
Video		
Max. Resolution	1280 × 960	
Video Compression	H.264, MJPEG	
Frame Rate	960P (1280 × 960) 30 fps; 720P (1280 × 720) 30 fps; D1 (720 × 576) 25 fps	
9:16 Corridor Mode	Supported	
ROI	Supported	
Video Streaming	Triple	
OSD	Up to 8 OSDs	
Privacy Mask	Up to 4 areas	
Audio		
Audio Compression	G.711	
Two-way Audio	Supported	
Network		
Protocols	L2TP, IPv4, IGMP, ICMP, ARP, TCP, UDP, DHCP, PPPoE, RTP, RTSP, Qos, NTP, FTP, HTTP, SNMP, SIP	
Compatible Integration	ONVIF, API	
Interface		
Audio I/O	Audio cable Input: impedance 35 kΩ; amplitude 2 V [p-p] Output: impedance 600 Ω; amplitude 2 V [p-p]	
Alarm I/O	1 / 1	
Network	10M/100M Base-TX Ethernet	
General		
Power	12 V DC, or PoE (IEEE802.3af) Power consumption: 3.5 W (7.5W with IR on)	
Dimensions (L × W × H)	187.8 × 76 × 44 mm (7.4" × 3.0" × 1.7")	
Weight	0.58 kg (1.3 lb)	
Working Environment	-35° C ~ +60° C (-31° F ~ 140° F), Humidity ≤ 90% RH (non-condensing)	
Ingress Protection	IP66	

IPC222ER-F36

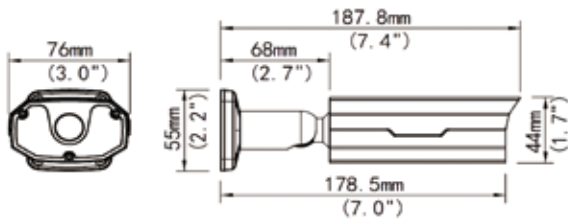
2MP Network IR Bullet Camera



Key Features

- 1/2.8" progressive scan CMOS
- Up to 1920 × 1080 resolution, 30fps
- 6mm/12mm optional
- Smart IR, up to 30m IR distance
- 3D DNR, ROI, Corridor Mode, ONVIF
- DC12V, PoE, wide voltage range of ±25%
- IP66

Dimensions



Accessories



TR-UP06-A-IN



TR-JB07-IN



TR-UP06-IN

Specifications

IPC222ER-F36	
Camera	
Sensor	1/2.8", 2 megapixel, progressive scan CMOS
Shutter	Auto/Manual, 1/6 ~ 1/8000 s
Lens	3.6mm @ F1.8; Angle of View (H): 85°
Day/Night	IR-cut filter with auto switch (ICR)
Min. Illumination	Colour: 0.06 Lux (F1.8, AGC ON) 0 Lux with IR
S/N	>52dB
Image Rotation	Supported
Video	
Max. Resolution	1920 × 1080
Video Compression	H.264, MJPEG
Frame Rate	1080P (1920 × 1080): Max. 30 fps; 720P (1280 × 720): Max. 30 fps; D1 (720 × 576): Max. 25 fps
9:16 Corridor Mode	Supported
ROI (Region of Interest)	Supported
Video Streaming	Triple
OSD	Up to 8 OSDs
Privacy Mask	Up to 4 areas
Audio	
Audio Compression	G.711
Two-way audio	Supported
Network	
Protocols	L2TP, IPv4, IGMP, ICMP, ARP, TCP, UDP, DHCP, PPPoE, RTP, RTSP, Qos, NTP, FTP, HTTP, SNMP, SIP
Compatible Integration	ONVIF, API
Interface	
Audio I/O	Audio cable Input: impedance 35 kΩ; amplitude 2 V [p-p] Output: impedance 600 Ω; amplitude 2 V [p-p]
Alarm I/O	1 / 1
Network	10M/100M Base-TX Ethernet
General	
Power	12 V DC or PoE (IEEE802.3 af) Power consumption: 3.5 W (7.5W with IR on)
Dimensions (L × W × H)	187.8 × 76 × 44 mm (7.4" × 3.0" × 1.7")
Weight	0.58 kg (1.28 lb)
Working Environment	-35° C ~ +60° C (-31° F ~ 140° F), Humidity ≤ 90% RH (non-condensing)
Ingress Protection	IP66

IPC222E-IR-F60 (120)-IN

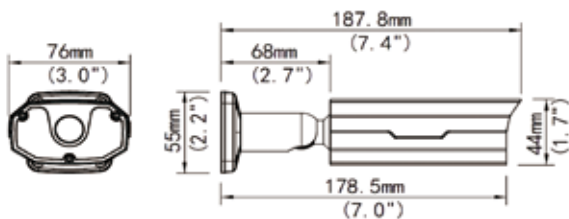
2MP Network IR Bullet Camera



Key Features

- 1/2.8" progressive scan CMOS
- Up to 1920 × 1080 resolution, 30fps
- 6mm/12mm optional
- Smart IR, up to 30m IR distance
- 3D DNR, ROI, Corridor Mode, ONVIF
- DC12V, PoE, wide voltage range of ±25%
- IP66

Dimensions



Accessories



TR-UP06-A-IN



TR-JB07-IN



TR-UP06-IN

Specifications

	IPC222E-IR-F60-IN	IPC222E-IR-F120-IN
Camera		
Sensor	1/2.8", 2 megapixel, progressive scan CMOS	
Shutter	Auto/Manual, 1/6 ~ 1/8000s	
Lens	6mm	12 mm
Angle of View (H)	53.2°	28°
Day/Night	IR-cut filter with auto switch (ICR)	
Min. Illumination	Colour: 0.06 Lux (F1.6, AGC ON) 0 Lux with IR	
S/N	>52dB	
Image Rotation	Supported	
Video		
Max. Resolution	1920 × 1080	
Video Compression	H.264, MJPEG	
Frame Rate	1080P (1920 × 1080): Max. 30 fps; 720P (1280 × 720): Max. 30 fps; D1 (720 × 576): Max. 25 fps	
9:16 Corridor Mode	Supported	
ROI	Supported	
Video Streaming	Triple	
OSD	Up to 8 OSDs	
Privacy Mask	Up to 4 areas	
Audio		
Audio Compression	G.711	
Two-way Audio	Supported	
Network		
Protocols	L2TP, IPv4, IGMP, ICMP, ARP, TCP, UDP, DHCP, PPPoE, RTP, RTSP, Qos, NTP, FTP, HTTP, SNMP, SIP	
Compatible Integration	ONVIF, API	
Interface		
Audio I/O	Audio cable Input: impedance 35 kΩ; amplitude 2 V [p-p] Output: impedance 600 Ω; amplitude 2 V [p-p]	
Alarm I/O	1/ 1	
Network	10M/100M Base-TX Ethernet	
General		
Power	12 V DC, or PoE (IEEE802.3af) Power consumption: 3.5 W (7.5W with IR on)	
Dimensions (L × W × H)	187.8 × 76 × 44 mm (7.4" × 3.0" × 1.7")	
Weight	0.58 kg (1.3 lb)	
Working Environment	-35° C ~ +60° C (-31° F ~ 140° F), Humidity ≤ 90% RH (non-condensing)	
Ingress Protection	IP66	

IPC2321EBR-P

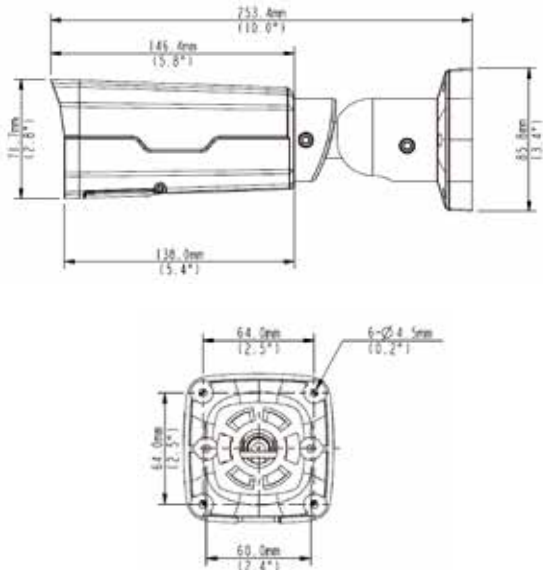
1.3MP VF Network IR Bullet Camera



Key Features

- 1/3" progressive scan CMOS
- Up to 1280 × 960 resolution, 30fps
- 2.8 ~ 12mm
- Smart IR, up to 30m IR distance
- 3D DNR, Corridor Mode, ROI, ONVIF
- DC12V, PoE, wide voltage range of ±25%
- IP66

Dimensions



Accessories



TR-UP06-A-IN



TR-JB07-IN



TR-UP06-IN

Specifications

IPC2321EBR-P	
Camera	
Sensor	1/3", 1.3 megapixel, progressive scan CMOS
Shutter	Auto/Manual, 1/6 ~ 1/8000 s
Lens	2.8 ~ 12mm @ F1.4; Angle of View (H): 90° ~ 28°
Zoom/Focus	Manual
Min. Illumination	Colour: 0.06 Lux (F1.4, 50IRE) Black & White: 0.03Lux (F1.4, 50IRE)
Day/Night	IR-cut filter with auto switch (ICR)
S/N	>50dB
Video	
Max. Resolution	1280 × 960
Video Compression	H.264, MJPEG
Frame Rate	960P (1280 × 960) Max. 30 fps; 720P (1280 × 720) Max. 30 fps; D1 (720 × 576) Max. 25 fps
9:16 Corridor Mode	Supported
ROI(Region of Interest)	Supported
Video Streaming	Triple
OSD	Up to 8 OSDs
Privacy Mask	Up to 4 areas
Audio	
Audio Compression	G.711
Two-way audio	Supported
Storage	
Edge Storage	Micro SD, up to 128 GB
Network	
Protocols	L2TP, IPv4, IGMP, ICMP, ARP, TCP, UDP, DHCP, PPPoE, RTP, RTSP, DNS, DDNS, NTP, FTP, UPnP, HTTP, HTTPS, FTP, SMTP, SNMP, SIP, QoS
Compatible Integration	ONVIF, API
Interface	
Audio I/O	Audio cable Input: impedance 35 kΩ; amplitude 2 V [p-p] Output: impedance 600 Ω; amplitude 2 V [p-p]
Alarm I/O	1 / 1
Network	10M/100M Base-TX Ethernet
General	
Power	12 V DC, or PoE (IEEE802.3 af) Power consumption: Max 8W
Material	Cast aluminum
Dimensions (L × W × H)	253.4 × 86 × 71.7 mm (9.98" × 3.4" × 2.8")
Weight	0.58Kg(1.28lb)
Working Environment	-35° C ~ +60° C (-31° F ~ 140° F), Humidity ≤ 95% RH (non-condensing)
Ingress Protection	IP66

IPC2322EBR-P

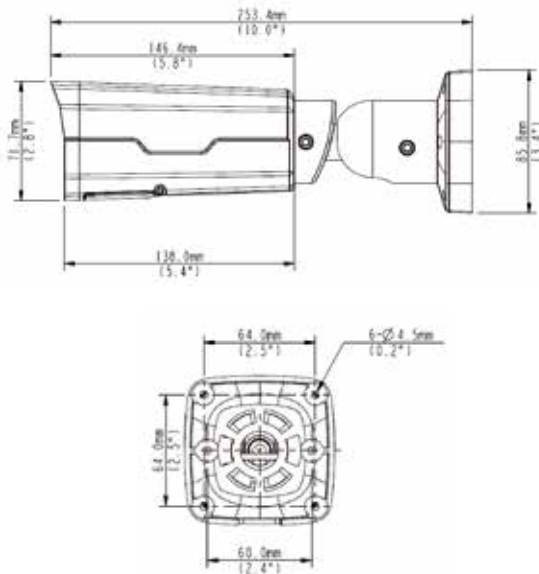
2MP VF Network IR Bullet Camera



Key Features

- 1/2.8" progressive scan CMOS
- Up to 1920 × 1080 resolution, 30fps
- 2.8 ~ 12mm
- Smart IR, up to 30m IR distance
- 3D DNR, Corridor Mode, ROI, ONVIF
- DC12V, PoE, wide voltage range of ±25%
- IP66

Dimensions



Accessories



TR-UP06-A-IN



TR-JB07-IN



TR-UP06-IN

Specifications

IPC2322EBR-P	
Camera	
Sensor	1/2.8", 2 megapixel, progressive scan CMOS
Shutter	Auto/Manual, 1/6 ~ 1/8000 s
Lens	2.8 ~ 12mm @ F1.4; Angle of View (H): 90° ~ 28°
Zoom/Focus	Manual
Min. Illumination	Colour: 0.06 Lux (F1.4, 50IRE) Black & White: 0.03Lux (F1.4, 50IRE)
Day/Night	IR-cut filter with auto switch (ICR)
S/N	>52dB
Video	
Max. Resolution	1920 × 1080
Video Compression	H.264, MJPEG
Frame Rate	1080P (1920 × 1080): Max. 30 fps; 720P (1280 × 720): Max. 30 fps; D1 (720 × 576): Max. 25 fps
9:16 Corridor Mode	Supported
ROI (Region of Interest)	Supported
Video Streaming	Triple
OSD	Up to 8 OSDs
Privacy Mask	Up to 4 areas
Audio	
Audio Compression	G.711
Two-way audio	Supported
Storage	
Edge Storage	Micro SD, up to 128 GB
Network	
Protocols	L2TP, IPv4, IGMP, ICMP, ARP, TCP, UDP, DHCP, PPPoE, RTP, RTSP, Qos, NTP, FTP, HTTP, SNMP, SIP
Compatible Integration	ONVIF, API
Interface	
Audio I/O	Audio cable Input: impedance 35 kΩ; amplitude 2 V [p-p] Output: impedance 600 Ω; amplitude 2 V [p-p]
Alarm I/O	1 / 1
Network	10M/100M Base-TX Ethernet
General	
Power	12 V DC, or PoE (IEEE802.3 af) Power consumption: Max 8W
Material	Cast aluminum
Dimensions (L × W × H)	253.4 × 86 × 71.7 mm (9.98" × 3.4" × 2.8")
Weight	0.58kg (1.28lb)
Working Environment	-35° C ~ +60° C (-31° F ~ 140° F), Humidity ≤ 90% RH (non-condensing)
Ingress Protection	IP66

IPC2324EBR-DP

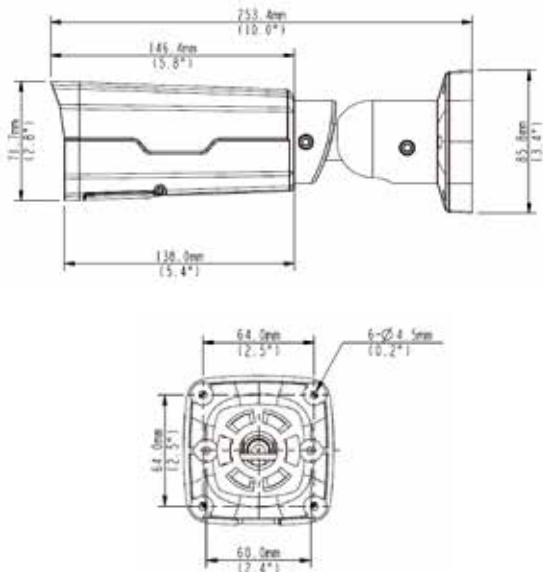
4MP VF Network IR Bullet Camera



Key Features

- 1/3" progressive scan CMOS
- 2560 × 1440 resolution, 25fps
- 2.8 ~ 12mm
- Smart IR, up to 30m IR distance
- H.265, 3D DNR, ROI, 9:16 corridor mode, ONVIF
- DC12V, PoE, wide voltage range of ±25%
- IP66, IK10

Dimensions



Accessories



TR-UP06-A-IN



TR-JB07-IN



TR-UP06-IN

Specifications

IPC2324EBR-DP	
Camera	
Sensor	1/3", 4 megapixel, progressive scan CMOS
Shutter	Auto/Manual, 1/6 ~ 1/8000s
Lens	2.8 ~ 12mm @ F1.4; Angle of view: 95° ~ 29°
Zoom/Focus	Manual
Min. Illumination	Colour: 0.02 Lux (F1.4, AGC ON) 0 Lux with IR on
Day/Night	IR-cut filter with auto switch (ICR)
IR Range	Up to 30m (98 ft) IR range
S/N	>55dB
WDR	Optical WDR (up to 120 dB)
Video	
Max. Resolution	2592 × 1520
Video Compression	H.265, H.264, MJPEG
Frame Rate	4MP (2592 × 1520): Max. 20 fps; 4MP (2560 × 1440): Max. 25 fps; 3MP (2048 × 1520): Max. 30 fps; 1080P (1920 × 1080): Max. 30 fps
9:16 Corridor Mode	Supported
ROI	Supported
Video Streaming	Triple
OSD	Up to 8 OSDs
Privacy Mask	Up to 4 areas
Audio	
Audio Compression	G.711
Two-way audio	Supported
Storage	
Edge Storage	Micro SD, up to 128 GB
Network	
Protocols	L2TP, IPv4, IGMP, ICMP, ARP, TCP, UDP, DHCP, PPPoE, RTP, RTSP, Qos, NTP, FTP, HTTP, SNMP, SIP
Compatible Integration	ONVIF, API
Interface	
Audio I/O	Audio cable Input: impedance 35 kΩ; amplitude 2 V [p-p] Output: impedance 600 Ω; amplitude 2 V [p-p]
Alarm I/O	1 / 1
Network	10M/100M Base-TX Ethernet
Video Output	1 BNC, impedance 75 Ω; amplitude 1 V [p-p]
General	
Power	12 V DC, or PoE (IEEE802.3 af) Power consumption: Max 8W
Material	Cast aluminum
Dimensions (L × W × H)	253.4 × 86 × 71.7 mm (9.98" × 3.4" × 2.8")
Weight	0.58kg (1.28lb)
Working Environment	-35° C ~ +60° C (-31° F ~ 140° F), Humidity ≤ 95% RH (non-condensing)
Ingress Protection	IP66

IPC2322EBR-DPZ28

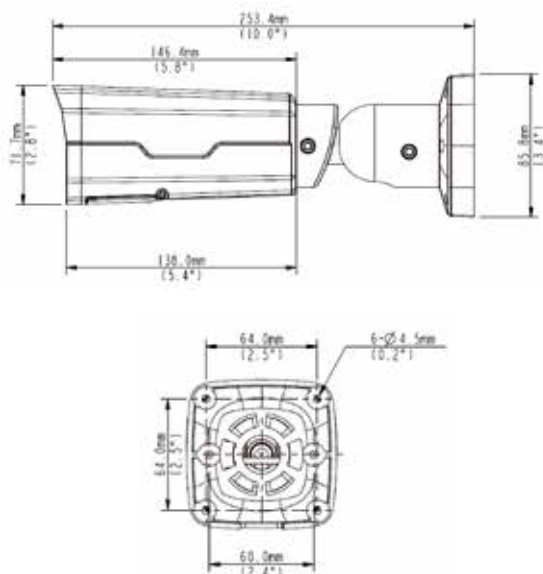
2MP VF Network IR Bullet Camera



Key Features

- 1/3" progressive scan CMOS
- Up to 1920 × 1080 resolution, 30fps
- 2.8 ~ 12 mm
- H.265, ONVIF
- 3D DNR, Corridor Mode, ROI
- DC12V, PoE, wide voltage range of ±25%
- IP66

Dimensions



Accessories



TR-UP06-A-IN



TR-JB07-IN



TR-UP06-IN

Specifications

IPC2322EBR-DPZ28	
Camera	
Sensor	1/3", 2 megapixel, progressive scan CMOS
Shutter	Auto/Manual, 1/6 ~ 1/8000 s
Lens	2.8 ~ 12mm @ F1.4; Angle of View (H): 90° ~ 28°
Zoom/Focus	Motor drive
Min. Illumination	Colour: 0.02 Lux (F1.4, AGC ON) 0 Lux with IR on
Day/Night	IR-cut filter with auto switch (ICR)
IR Range	Up to 30m (98 ft) IR range
S/N	>52dB
WDR	Optical WDR (up to 120 dB)
Video	
Max. Resolution	1920 × 1080
Video Compression	H.265, H.264, MJPEG
Frame Rate	1080P (1920 × 1080): Max. 30 fps; 720P (1280 × 720): Max. 30 fps; D1 (720 × 576): Max. 25 fps
9:16 Corridor Mode	Supported
ROI (Region of Interest)	Supported
Video Streaming	Triple
OSD	Up to 8 OSDs
Privacy Mask	Up to 4 areas
Audio	
Audio Compression	G.711
Two-way audio	Supported
Storage	
Edge Storage	Micro SD, up to 128 GB
Network	
Protocols	L2TP, IPv4, IGMP, ICMP, ARP, TCP, UDP, DHCP, PPPoE, RTP, RTSP, Qos, NTP, FTP, HTTP, SNMP, SIP
Compatible Integration	ONVIF, API
Interface	
Audio I/O	Audio cable Input: impedance 35 kΩ; amplitude 2 V [p-p] Output: impedance 600 Ω; amplitude 2 V [p-p]
Alarm I/O	1 / 1
Network	10M/100M Base-TX Ethernet
General	
Power	12 V DC, or PoE (IEEE802.3 af) Power consumption: Max 9W
Material	Cast aluminum
Dimensions (L×W× H)	253.4 × 86 × 71.7 mm (9.98" × 3.4" × 2.8")
Weight	0.58kg (1.28lb)
Working Environment	-35° C ~ +60° C (-31° F ~ 140° F), Humidity ≤ 95% RH (non-condensing)
Ingress Protection	IP66

IPC2324EBR-DPZ28

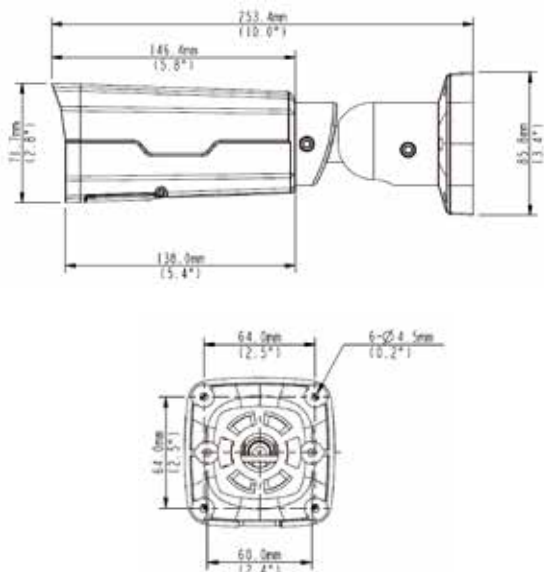
4MP VF Network IR Bullet Camera



Key Features

- 1/3" progressive scan CMOS
- 2560 × 1440 resolution, 25fps
- 2.8 ~ 12 mm
- H.265, ONVIF
- 3D DNR, Corridor Mode, ROI
- DC12V, PoE, wide voltage range of ±25%
- IP66, IK10

Dimensions



Accessories



TR-UP06-A-IN



TR-JB07-IN



TR-UP06-IN

Specifications

IPC2324EBR-DPZ28	
Camera	
Sensor	1/3", 4 megapixel, progressive scan CMOS
Shutter	Auto/Manual, 1/6 ~ 1/8000 s
Lens	2.8 ~ 12mm @ F1.4; Angle of View (H): 95° ~ 29°
Zoom/Focus	Motor drive
Min. Illumination	Colour: 0.02 Lux (F1.4, AGC ON) 0 Lux with IR on
Day/Night	IR-cut filter with auto switch (ICR)
IR Range	Up to 30m (98ft) IR range
S/N	>55dB
WDR	Optical WDR (up to 120 dB)
Video	
Max. Resolution	2592 × 1520
Video Compression	H.265, H.264, MJPEG
Frame Rate	4MP (2592 × 1520): Max. 20 fps; 4MP (2560 × 1440): Max. 25 fps; 3MP (2048 × 1520): Max. 30 fps; 1080P (1920 × 1080): Max. 30 fps
9:16 Corridor Mode	Supported
ROI (Region of Interest)	Supported
Video Streaming	Triple
OSD	Up to 8 OSDs
Privacy Mask	Up to 4 areas
Audio	
Audio Compression	G.711
Two-way audio	Supported
Storage	
Edge Storage	Micro SD, up to 128 GB
Network	
Protocols	L2TP, IPv4, IGMP, ICMP, ARP, TCP, UDP, DHCP, PPPoE, RTP, RTSP, DNS, DDNS, NTP, FTP, UPnP, HTTP, HTTPS, FTP, SMTP, SNMP, SIP, QoS
Compatible Integration	ONVIF, API
Interface	
Audio I/O	Audio cable Input: impedance 35 kΩ; amplitude 2 V [p-p] Output: impedance 600 Ω; amplitude 2 V [p-p]
Alarm I/O	1 / 1
Network	10M/100M Base-TX Ethernet
General	
Power	12 V DC, or PoE (IEEE802.3 af) Power consumption: Max 9W
Material	Cast aluminum
Dimensions (L × W × H)	253.4 × 86 × 71.7 mm (9.98" × 3.4" × 2.8")
Weight	0.93 kg (2.05 lb)
Working Environment	-35° C ~ +60° C (-31° F ~ 140° F), Humidity ≤ 95% RH (non-condensing)
Ingress Protection	IP66

IPC262ER9 Series

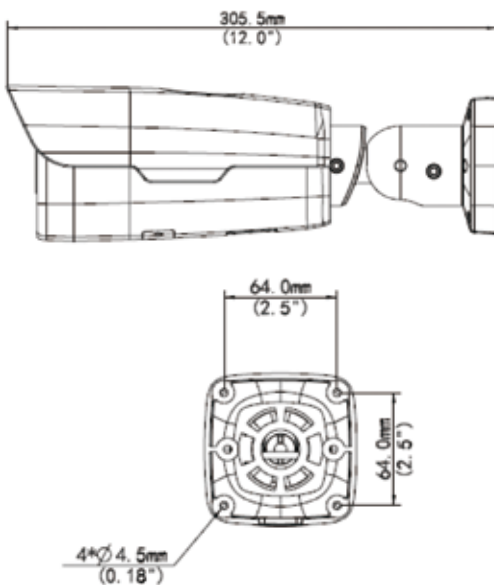
2MP WDR Starlight AF Network IR Bullet Camera



Key Features

- 1/2.8" progressive scan CMOS
- Up to 1920 × 1080 resolution, 30fps
- Smart IR, up to 100m IR distance
- 120dB True WDR
- ROI, Corridor Mode, ONVIF
- AC24V, DC12V, PoE, wide voltage range of ±25%
- IP67

Dimensions



Accessories



TR-UP06-A-IN



TR-JB07-IN



TR-UP06-IN

Specifications

	IPC262ER9-DUZ	IPC262ER9-X10DU
Camera		
Sensor	1/2.8", 2 megapixel, progressive scan CMOS	
Shutter	Auto/Manual, 1/6 ~ 1/8000s	
Lens	2.8 ~ 12mm @ F1.6; DC-Iris	4.7 ~ 47mm @ F1.6; DC-Iris
Angle of View (H)	97° (wide) ~ 35° (tele)	65° (wide) ~ 9° (tele)
Zoom/Focus	4X Optical Zoom / Auto Focus	10X Optical Zoom / Auto Focus
Min. Illumination	Colour: 0.002 Lux (F1.6, AGC ON) 0 Lux with IR	
Day/Night	IR-cut filter with auto switch (ICR)	
S/N	>52dB	
WDR	120dB	
IR	Smart-IR, up to 100m (328ft) IR range	
Video		
Max. Resolution	1920 × 1080	
Video Compression	H.265, H.264, MJPEG	
Frame Rate	1080P (1920 × 1080): Max. 30 fps	
9:16 Corridor Mode	Supported	
ROI	Supported	
Video Streaming	Triple	
OSD	Up to 8 OSDs	
Privacy Mask	Up to 4 areas	
Audio		
Audio Compression	G.711	
Two-way audio	Supported	
Storage		
Edge Storage	Micro SD, Up to 128 GB	
Network		
Protocols	L2TP, IPv4, IGMP, ICMP, ARP, TCP, UDP, DHCP, PPPoE, RTP, RTSP, DNS, DDNS, NTP, FTP, UPnP, HTTP, HTTPS, SMTP, SNMP, SIP, QoS	
Compatible Integration	ONVIF, API	
Interface		
Audio I/O	Audio cable 1 Input: impedance 35 kΩ; amplitude 2 V [p-p] 1 Output: impedance 600 Ω; amplitude 2 V [p-p]	
Alarm I/O	2 / 1	
Network	10M/100M Base-TX Ethernet	
Video Output	1 BNC, impedance 75 Ω; amplitude 1 V [p-p]	
Serial	1 RS485	
General		
Power	DC12V ±25%, AC24V ±25% or PoE (IEEE802.3 at) Power consumption: 13.7W	
Material	Cast aluminum	
Dimensions (L × W × H)	305.5 × 104.1 × 97.3mm (12.0" × 4.1" × 3.8")	
Weight	1.65 kg (3.6 lb)	
Working Environment	-40° C ~ +60° C (-40° F ~ 140° F), Humidity ≤ 95% RH (non-condensing)	
Ingress Protection	IP67	

IPC262EFW-DUZ

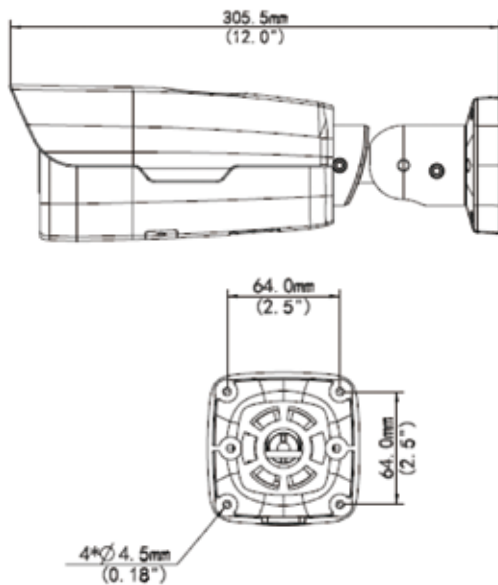
2MP WDR Starlight Full Spectrum AF Network IR Bullet Camera



Key Features

- 1/2.8" progressive scan CMOS
- Up to 1920 × 1080 resolution, 30fps
- 2.8 ~ 12mm
- Smart IR, up to 50m IR distance
- White light, up to 10m
- 120dB True WDR
- ROI, Corridor Mode, ONVIF
- AC24V, DC12V, PoE, wide voltage range of ±25%
- IP67

Dimensions



Accessories



TR-UP06-A-IN



TR-JB07-IN



TR-UP06-IN

Specifications

IPC262EFW-DUZ	
Camera	
Sensor	1/2.8", 2 megapixel, progressive scan CMOS
Shutter	Auto/Manual, 1/6 ~ 1/8000s
Lens	2.8 ~ 12mm @ F1.6, DC-Iris
Angle of view (H)	97° (wide) ~ 35° (tele)
Zoom/Focus	4X Optical Zoom / Auto Focus
Min. Illumination	Colour: 0.002 Lux (F1.6, AGC ON) 0 Lux with IR
Day/Night	IR-cut filter with auto switch (ICR)
S/N	>52dB
WDR	120dB
IR	Smart-IR, up to 50m (164ft) IR range
White Light	Up to 10m (33ft) with PIR alarm
Video	
Max. Resolution	1920 × 1080
Video Compression	H.265, H.264, MJPEG
Frame Rate	1080P (1920 × 1080): Max. 30 fps
9:16 Corridor Mode	Supported
ROI	Supported
Video Streaming	Triple
OSD	Up to 8 OSDs
Privacy Mask	Up to 4 areas
Audio	
Audio Compression	G.711
Two-way audio	Supported
Storage	
Edge Storage	Micro SD, Up to 128 GB
Network	
Protocols	L2TP, IPv4, IGMP, ICMP, ARP, TCP, UDP, DHCP, PPPoE, RTP, RTSP, DNS, DDNS, NTP, FTP, UPnP, HTTP, HTTPS, SMTP, SNMP, SIP, QoS
Compatible Integration	ONVIF, API
Interface	
Audio I/O	Audio cable 1 Input: impedance 35 kΩ; amplitude 2 V [p-p] 1 Output: impedance 600 Ω; amplitude 2 V [p-p]
Alarm I/O	2 / 1
Network	10M/100M Base-TX Ethernet
Video Output	1 BNC, impedance 75 Ω; amplitude 1 V [p-p]
Serial	1 RS485
General	
Power	DC12V ±25%, AC24V ±25% or PoE (IEEE802.3 at) Power consumption: 13.7W
Material	Cast aluminum
Dimensions (L × W × H)	305.5 × 104.1 × 97.3mm (12.0" × 4.1" × 3.8")
Weight	1.65 kg (3.6 lb)
Working Environment	-40° C ~ +60° C (-40° F ~ 140° F), Humidity ≤ 95% RH (non-condensing)
Ingress Protection	IP67

IPC252ERA-X22DUG

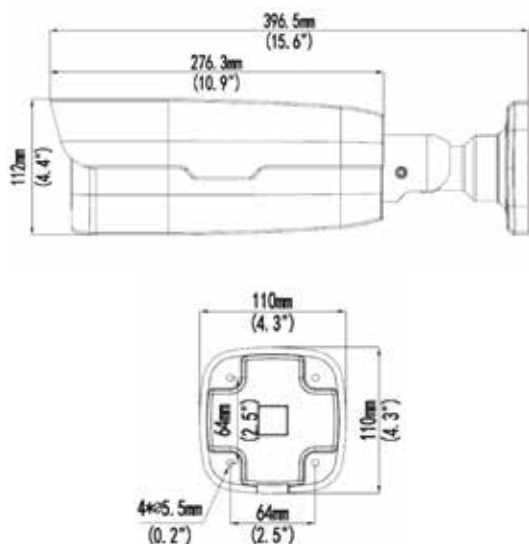
2MP 22x Starlight WDR Network IR Bullet Camera



Key Features

- 1/1.9" progressive scan CMOS
- Up to 1920 × 1080 resolution, 60fps
- 6.5 ~ 143mm
- Smart IR, up to 120m IR distance
- 120dB True WDR
- ROI, Corridor Mode, ONVIF
- AC24V, wide voltage range of ±25%
- IP67

Dimensions



Accessories



TR-UP06-A-IN



TR-JB07-IN



TR-UP06-IN

Specifications

IPC252ERA-X22DUG	
Camera	
Sensor	1/1.9", 2 megapixel, progressive scan CMOS
Lens	6.5 ~ 143 mm (22x optical zoom)
Angle of view (H)	59° (wide) ~ 3° (tele)
Shutter	Auto/Manual, 1/6 ~ 1/8000 s
Iris	Auto/Manual, F1.5 ~ F3.4, DC-Iris
Minimum Illumination	Colour: 0.002 Lux (F1.5, AGC ON) 0 Lux with IR
S/N	>52dB
WDR	120dB
Day/Night	IR-cut filter with auto switch (ICR)
Video	
Max. Resolution	1920 × 1080
Video Compression	H.265, H.264, MJPEG
Frame Rate	1080P (1920 × 1080): Max. 60 fps
9:16 Corridor Mode	Supported
ROI	Supported
Video Streaming	Triple
OSD	Up to 8 OSDs
Privacy Mask	Up to 4 areas
Audio	
Audio Compression	G.711
Two-way audio	Supported
Storage	
Edge Storage	Micro SD, up to 128 GB
Network	
Protocols	L2TP, IPv4, IGMP, ICMP, ARP, TCP, UDP, DHCP, PPPoE, RTP, RTSP, DNS, DDNS, NTP, FTP, UPnP, HTTP, HTTPS, SMTP, SNMP, SIP, QoS
Compatible Integration	ONVIF, API
Interface	
Audio I/O	Audio cable 1 Input: impedance 35 kΩ; amplitude 2 V [p-p] 1 Output: impedance 600 Ω; amplitude 2 V [p-p]
Alarm I/O	2 / 1
Serial Port	1 RS485 (support Pelco-D/P)
Network	100M Base-FX SFP + 100M Base-TX Ethernet
Video Output	1 BNC, impedance 75 Ω; amplitude 1 V [p-p]
General	
Power	24 V AC ±25% Power consumption: 6 ~ 19.5W
Material	Cast aluminum
Dimensions (L × W × H)	396.5 × 137 × 112mm (15.6" × 5.4" × 4.4")
Weight	3.7 kg (8.2 lb)
Working Environment	-40° C ~ +60° C (-40° F ~ 140° F), Humidity ≤ 95% RH (non-condensing)
Ingress Protection	IP67

IPC242E-DLIR-IN

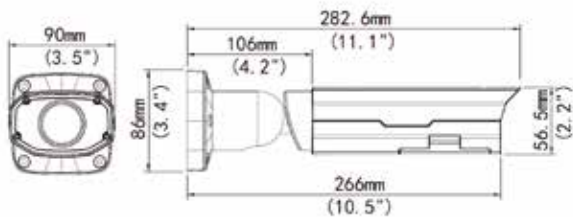
2MP WDR Low-light VF Network IR Bullet Camera



Key Features

- 1/2.8" progressive scan CMOS
- Up to 1920 × 1080 resolution, 30fps
- 3 ~ 10.5mm
- Smart IR, up to 30m IR distance
- 120dB True WDR
- 3D DNR, ROI, Corridor Mode, ONVIF
- AC24V, DC12V, PoE, wide voltage range of ±25%
- IP66

Dimensions



Accessories



TR-UP06-A-IN



TR-JB07-IN



TR-UP06-IN

Specifications

IPC242E-DLIR-IN	
Camera	
Sensor	1/2.8", 2 megapixel, progressive scan CMOS
Shutter	Auto/Manual, 1/6 ~ 1/8000 s
Lens	3 ~ 10.5 mm, F1.4
Zoom/Focus	Manual
Angle of View (H)	102.4° (wide) ~ 27.4° (tele)
Min. Illumination	Colour: 0.02 Lux (F1.4, AGC ON) 0 Lux with IR
Day/Night	IR-cut filter with auto switch (ICR)
S/N	>52dB
WDR	120dB
IR	Up to 30m (98 ft) IR range
Video	
Max. Resolution	1920 × 1080
Video Compression	H.264, MJPEG
Frame Rate	1080P (1920 × 1080): Max. 30 fps; 720P (1280 × 720): Max. 30 fps; D1 (720 × 576): Max. 25 fps
9:16 Corridor Mode	Supported
ROI(Region of Interest)	Supported
Video Streaming	Triple
OSD	Up to 8 OSDs
Privacy Mask	Up to 4 areas
Audio	
Audio Compression	G.711
Two-way audio	Supported
Storage	
Edge Storage	Micro SD, up to 128 GB
Network	
Protocols	L2TP, IPv4, IGMP, ICMP, ARP, TCP, UDP, DHCP, PPPoE, RTP, RTSP, Qos, NTP, FTP, HTTP, SNMP, SIP
Compatible Integration	ONVIF, API
Interface	
Audio I/O	3.5 mm audio interface Input: impedance 35 kΩ; amplitude 2 V [p-p] Output: impedance 600 Ω; amplitude 2 V [p-p]
Alarm I/O	2 / 1
Serial Port	1 RS485
Network	10M/100M Base-TX Ethernet
Video Output	1 BNC, impedance 75 Ω; amplitude 1 V [p-p]
General	
Power	12 V DC, 24 V AC or PoE (IEEE802.3 af) Power consumption: 4.5 W (11W with IR on)
Dimensions (L × W × H)	282.6 × 90 × 86 mm (11.1" × 3.5" × 3.4")
Weight	1.2 kg (2.6 lb)
Working Environment	-40° C ~ +60° C (-40° F ~ 140° F), Humidity ≤ 90% RH (non-condensing)
Ingress Protection	IP66

IPC242ER5-DL

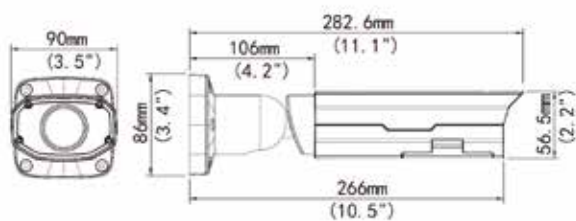
2MP WDR Low-light VF Network IR Bullet Camera



Key Features

- 1/2.8" progressive scan CMOS
- Up to 1920 × 1080 resolution, 30fps
- 7 ~ 22 mm
- Smart IR, up to 50m IR distance
- 120dB True WDR
- 3D DNR, ROI, Corridor Mode, ONVIF
- AC24V, DC12V, PoE, wide voltage range of ±25%
- IP66

Dimensions



Accessories



TR-UP06-A-IN



TR-JB07-IN



TR-UP06-IN

Specifications

IPC242ER5-DL	
Camera	
Sensor	1/2.8", 2 megapixel, progressive scan CMOS
Shutter	Auto/Manual, 1/6 ~ 1/8000 s
Lens	7~22mm @ F1.4; Angle of View (H): 43° ~ 14°
Zoom/Focus	Manual
Min. Illumination	Colour: 0.02 Lux (F1.4, AGC ON) 0 Lux with IR
Day/Night	IR-cut filter with auto switch (ICR)
S/N	>52dB
WDR	120dB
IR	Up to 50m (164 ft) IR range
Video	
Max. Resolution	1920 × 1080
Video Compression	H.264, MJPEG
Frame Rate	1080P (1920 × 1080): Max. 30 fps; 720P (1280 × 720): Max. 30 fps; D1 (720 × 576): Max. 25 fps
9:16 Corridor Mode	Supported
ROI (Region of Interest)	Supported
Video Streaming	Triple
OSD	Up to 8 OSDs
Privacy Mask	Up to 4 areas
Audio	
Audio Compression	G.711
Two-way audio	Supported
Storage	
Edge Storage	Micro SD, up to 128 GB
Network	
Protocols	L2TP, IPv4, IGMP, ICMP, ARP, TCP, UDP, DHCP, PPPoE, RTP, RTSP, Qos, NTP, FTP, HTTP, SNMP, SIP
Compatible Integration	ONVIF, API
Interface	
Audio I/O	3.5 mm audio interface Input: impedance 35 kΩ; amplitude 2 V [p-p] Output: impedance 600 Ω; amplitude 2 V [p-p]
Alarm I/O	2 / 1
Serial Port	1 RS485
Network	10M/100M Base-TX Ethernet
Video Output	1 BNC, impedance 75 Ω; amplitude 1 V [p-p]
General	
Power	12 V DC, 24 V AC or PoE (IEEE802.3 af) Power consumption: 4.5 W (11W with IR on)
Dimensions (L × W × H)	282.6 × 90 × 86 mm (11.1" × 3.5" × 3.4")
Weight	1.2 kg (2.6 lb)
Working Environment	-40° C ~ +60° C (-40° F ~ 140° F), Humidity ≤ 90% RH (non-condensing)
Ingress Protection	IP66

NETWORK CAMERA

NVR

ENCODER DECODER

STORAGE

IPC242E-IR-Z

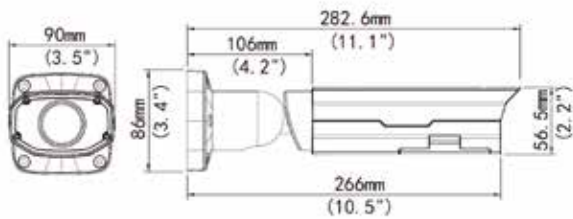
2MP Motorized VF Network IR Bullet Camera



Key Features

- 1/2.8" progressive scan CMOS
- Up to 1920 × 1080 resolution, 30fps
- 3 ~ 10.5mm
- Smart IR, up to 30m IR distance
- (-Z) Built-in motorized lens
- 3D DNR, ROI, Corridor Mode, ONVIF
- AC24V, DC12V, PoE, wide voltage range of ±25%
- IP66

Dimensions



Accessories



TR-UP06-A-IN



TR-JB07-IN



TR-UP06-IN

Specifications

IPC242E-IR-Z-IN	
Camera	
Sensor	1/2.8", 2 megapixel, progressive scan, CMOS
Shutter	Auto/Manual, 1/6 ~ 1/8000 s
Lens	3 ~ 10.5 mm, F1.4
Zoom/Focus	Motor drive
Angle of View (H)	102.4° (wide) ~ 27.4° (tele)
Min. Illumination	Color: 0.03 Lux (F1.4, AGC ON) 0 Lux with IR
Day/Night	IR-cut filter with auto switch (ICR)
S/N	>52dB
IR	Up to 30m (98 ft) IR range
Video	
Max. Resolution	1920 × 1080
Video Compression	H.264, MJPEG
Frame Rate	1080P (1920 × 1080): Max. 30 fps; 720P (1280 × 720): Max. 30 fps; D1 (720 × 576): Max. 25 fps
9:16 Corridor Mode	Supported
ROI (Region of Interest)	Supported
Video Streaming	Triple
OSD	Up to 8 OSDs
Privacy Mask	Up to 8 areas
Audio	
Audio Compression	G.711
Two-way audio	Supported
Storage	
Edge Storage	Micro SD, up to 128 GB
Network	
Protocols	L2TP, IPv4, IGMP, ICMP, ARP, TCP, UDP, DHCP, PPPoE, RTP, RTSP, Qos, NTP, FTP, HTTP, SNMP, SIP
Compatible Integration	ONVIF, API
Interface	
Audio I/O	3.5 mm audio interface Input: impedance 35 kΩ; amplitude 2 V [p-p] Output: impedance 600 Ω; amplitude 2 V [p-p]
Alarm I/O	2 / 1
Serial Port	1 RS485
Network	10M/100M Base-TX Ethernet
Video Output	1 BNC, impedance 75 Ω; amplitude 1 V [p-p]
General	
Power	12 V DC, 24 V AC or PoE (IEEE802.3 af) Power consumption: 4.5 W (11W with IR on)
Dimensions (L × W × H)	282.6 × 90 × 86 mm (11.1" × 3.5" × 3.4")
Weight	1.2 kg (2.6 lb)
Working Environment	-40° C ~ +60° C (-40° F ~ 140° F), Humidity ≤ 90% RH (non-condensing)
Ingress Protection	IP66

IPC241L-IR-IN

1.3MP VF Network (IR) Bullet Camera

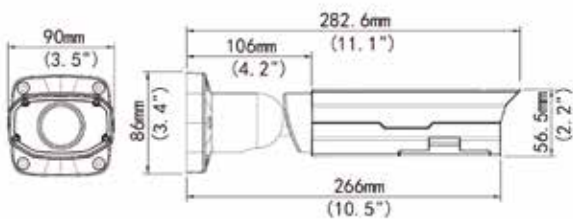
Phasing Out



Key Features

- 1/3" progressive scan CMOS
- Up to 1280 × 960 resolution, 30fps
- 2.8 ~ 12mm
- Smart IR, up to 30m IR distance
- 3D DNR, ROI, Corridor Mode, ONVIF
- AC24V, DC12V, PoE, wide voltage range of ±25%
- IP66

Dimensions



Accessories



TR-UP06-A-IN



TR-JB07-IN



TR-UP06-IN

Specifications

IPC241L-IR-IN	
Camera	
Sensor	1/3", 1.3 megapixel, progressive scan CMOS
Shutter	Auto/Manual, 1/6 ~ 1/8000 s
Lens	2.8~12 mm, F1.4
Zoom/Focus	Manual
Angle of View (H)	90° (wide) ~ 28° (tele)
Min. Illumination	Colour: 0.03 Lux (F1.4, 50IRE) Black & White: 0.01Lux (F1.4, 50IRE)
Day/Night	IR-cut filter with auto switch (ICR)
S/N	>50dB
IR	Smart-IR, up to 30m (98 ft) IR range
Video	
Max. Resolution	1280 × 960
Video Compression	H.264, MJPEG
Frame Rate	960P (1280 × 960) 30 fps; 720P (1280 × 720) 30 fps; D1 (720 × 576) 25 fps
9:16 Corridor Mode	Supported
ROI (Region of Interest)	Supported
Video Streaming	Triple
OSD	Up to 8 OSDs
Privacy Mask	Up to 8 areas
Storage	
Edge Storage	Micro SD, up to 64 GB
Network	
Protocols	L2TP, IPv4, IGMP, ICMP, ARP, TCP, UDP, DHCP, PPPoE, RTP, RTSP, Qos, NTP, FTP, HTTP, SNMP, SIP
Compatible Integration	ONVIF, IMOS, API
Interface	
Network	10M/100M Base-TX Ethernet
General	
Power	12 V DC, 24 V AC or PoE (IEEE802.3 af) Power consumption: 4.5 W (11W with IR on)
Dimensions (L × W × H)	282.6 × 90 × 86 mm (11.1" × 3.5" × 3.4")
Weight	1.2 kg (2.6 lb)
Working Environment	-40° C ~ +60° C (-40° F ~ 140° F), Humidity ≤ 90% RH (non-condensing)
Ingress Protection	IP66

NETWORK CAMERA

NVR

ENCODER DECODER

STORAGE

IPC241E-DLIR-IN

1.3MP WDR Low-light VF Network IR Bullet Camera

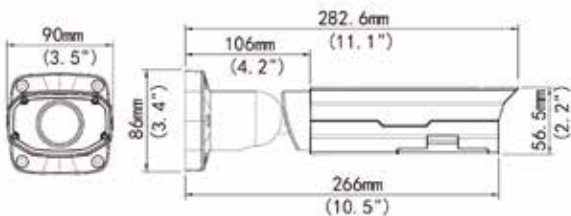
Phasing Out



Key Features

- 1/3" progressive scan CMOS
- Up to 1280 × 960 resolution, 30fps
- 3 ~ 10.5mm
- Smart IR, up to 30m IR distance
- 120dB True WDR
- 3D DNR, ROI, Corridor Mode, ONVIF
- AC24V, DC12V, PoE, wide voltage range of ±25%
- IP66

Dimensions



Accessories



TR-UP06-A-IN



TR-JB07-IN



TR-UP06-IN

Specifications

IPC241E-DLIR-IN	
Camera	
Sensor	1/3", 1.3 megapixel, progressive scan CMOS
Shutter	Auto/Manual, 1/6 ~ 1/8000 s
Lens	3 ~ 10.5 mm, F1.4
Zoom/Focus	Manual
Angle of View (H)	91.2° (wide) ~ 25.5° (tele)
Min. Illumination	Colour: 0.02 Lux (F1.4, 50IRE) Black & White: 0.008Lux (F1.4, 50IRE)
Day/Night	IR-cut filter with auto switch (ICR)
S/N	>50dB
WDR	120dB
IR	Smart-IR, up to 30m (98 ft) IR range
Video	
Max. Resolution	1280 × 960
Video Compression	H.264, MJPEG
Frame Rate	960P (1280 × 960) 30 fps; 720P (1280 × 720) 30 fps; D1 (720 × 576) 25 fps
9:16 Corridor Mode	Supported
ROI(Region of Interest)	Supported
Video Streaming	Triple
OSD	Up to 8 OSDs
Privacy Mask	Up to 4 areas
Audio	
Audio Compression	G.711
Two-way audio	Supported
Storage	
Edge Storage	Micro SD, up to 64 GB
Network	
Protocols	L2TP, IPv4, IGMP, ICMP, ARP, TCP, UDP, DHCP, PPPoE, RTP, RTSP, Qos, NTP, FTP, HTTP, SNMP, SIP
Compatible Integration	ONVIF, IMOS, API
Interface	
Audio I/O	3.5 mm audio interface Input: impedance 35 kΩ; amplitude 2 V [p-p] Output: impedance 600 Ω; amplitude 2 V [p-p]
Alarm I/O	2 / 1
Serial Port	1 RS485
Network	10M/100M Base-TX Ethernet
Video Output	1 BNC, impedance 75 Ω; amplitude 1 V [p-p]
General	
Power	12 V DC, 24 V AC or PoE (IEEE802.3 af) Power consumption: 4.5 W (11W with IR on)
Dimensions (L × W × H)	282.6 × 90 × 86 mm (11.1" × 3.5" × 3.4")
Weight	1.2 kg (2.6 lb)
Working Environment	-40° C ~ +60° C (-40° F ~ 140° F), Humidity ≤ 90% RH (non-condensing)
Ingress Protection	IP66

IPC241ER5-DL

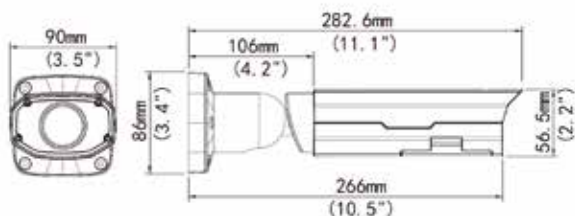
1.3MP WDR Low-light VF Network IR Bullet Camera

Phasing Out


Key Features

- 1/3" progressive scan CMOS
- Up to 1280 × 960 resolution, 30fps
- 7 ~ 22mm
- Smart IR, up to 50m IR distance
- 120dB True WDR
- 3D DNR, ROI, Corridor Mode, ONVIF
- AC24V, DC12V, PoE, wide voltage range of ±25%
- IP66

Dimensions



Accessories



TR-UP06-A-IN



TR-JB07-IN



TR-UP06-IN

Specifications

IPC241ER5-DL	
Camera	
Sensor	1/3", 1.3 megapixel, progressive scan CMOS
Shutter	Auto/Manual, 1/6 ~ 1/8000 s
Lens	7 ~ 22 mm @ F1.4; Angle of View (H): 38° ~ 12°
Zoom/Focus	Manual
Min. Illumination	Colour: 0.02 Lux (F1.4, 50IRE) Black & White: 0.008Lux (F1.4, 50IRE)
Day/Night	IR-cut filter with auto switch (ICR)
S/N	>50dB
WDR	120dB
IR	Smart-IR, up to 50m (164 ft) IR range
Video	
Max. Resolution	1280 × 960
Video Compression	H.264, MJPEG
Frame Rate	960P (1280 × 960) 30 fps; 720P (1280 × 720) 30 fps; D1 (720 × 576) 25 fps
9:16 Corridor Mode	Supported
ROI(Region of Interest)	Supported
Video Streaming	Triple
OSD	Up to 8 OSDs
Privacy Mask	Up to 4 areas
Audio	
Audio Compression	G.711
Two-way audio	Supported
Storage	
Edge Storage	Micro SD, up to 64 GB
Network	
Protocols	L2TP, IPv4, IGMP, ICMP, ARP, TCP, UDP, DHCP, PPPoE, RTP, RTSP, Qos, NTP, FTP, HTTP, SNMP, SIP
Compatible Integration	ONVIF, IMOS, API
Interface	
Audio I/O	3.5 mm audio interface Input: impedance 35 kΩ; amplitude 2 V [p-p] Output: impedance 600 Ω; amplitude 2 V [p-p]
Alarm I/O	2 / 1
Serial Port	1 RS485
Network	10M/100M Base-TX Ethernet
Video Output	1 BNC, impedance 75 Ω; amplitude 1 V [p-p]
General	
Power	12 V DC, 24 V AC or PoE (IEEE802.3 af) Power consumption: 4.5 W (11W with IR on)
Dimensions (L × W × H)	282.6 × 90 × 86 mm (11.1" × 3.5" × 3.4")
Weight	1.2 kg (2.6 lb)
Working Environment	-40° C ~ +60° C (-40° F ~ 140° F), Humidity ≤ 90% RH (non-condensing)
Ingress Protection	IP66

IPC241E-IR (-Z)-IN

1.3MP (Motorized) VF Network IR Bullet Camera

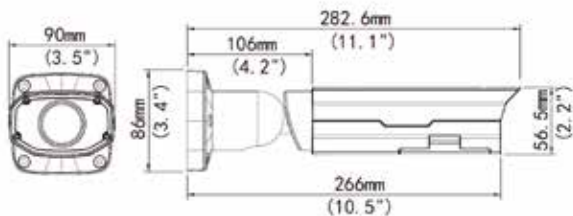
Phasing Out



Key Features

- 1/3" progressive scan CMOS
- Up to 1280 × 960 resolution, 30fps
- 3 ~ 10.5mm, (-Z) 2.8~12mm
- Smart IR, up to 30m IR distance
- (-Z) Built-in motorized lens
- 3D DNR, ROI, Corridor Mode, ONVIF
- AC24V, DC12V, PoE, wide voltage range of ±25%
- IP66

Dimensions



Accessories



TR-UP06-A-IN



TR-JB07-IN



TR-UP06-IN

Specifications

	IPC241E-IR-IN	IPC241E-IR-Z-IN
Camera		
Sensor	1/3", 1.3 megapixel, progressive scan, CMOS	
Shutter	Auto/Manual, 1/6 ~ 1/8000 s	
Lens	3 ~ 10.5 mm, F1.4	2.8~12 mm, F1.4
Zoom/Focus	Manual	Motor drive
Angle of View (H)	91.2° (wide) ~ 25.5° (tele)	90° (wide) ~ 28° (tele)
Min. Illumination	Colour: 0.03 Lux (F1.4, 50IRE) Black & White: 0.01Lux (F1.4, 50IRE)	
Day/Night	IR-cut filter with auto switch (ICR)	
S/N	>50dB	
IR	Smart-IR, up to 30m (98 ft) IR range	
Video		
Max. Resolution	1280 × 960	
Video Compression	H.264, MJPEG	
Frame Rate	960P (1280 × 960) 30 fps; 720P (1280 × 720) 30 fps; D1 (720 × 576) 25 fps	
9:16 Corridor Mode	Supported	
ROI	Supported	
Video Streaming	Triple	
OSD	Up to 8 OSDs	
Privacy Mask	Up to 8 areas	
Audio		
Audio Compression	G.711	
Two-way audio	Supported	
Storage		
Edge Storage	Micro SD, up to 64 GB	
Network		
Protocols	L2TP, IPv4, IGMP, ICMP, ARP, TCP, UDP, DHCP, PPPoE, RTP, RTSP, Qos, NTP, FTP, HTTP, SNMP, SIP	
Compatible Integration	ONVIF, IMOS, API	
Interface		
Audio I/O	3.5 mm audio interface Input: impedance 35 kΩ; amplitude 2 V [p-p] Output: impedance 600 Ω; amplitude 2 V [p-p]	
Alarm I/O	2 / 1	
Serial Port	1 RS485	
Network	10M/100M Base-TX Ethernet	
Video Output	1 BNC, impedance 75 Ω; amplitude 1 V [p-p]	
General		
Power	12 V DC, 24 V AC or PoE (IEEE802.3 af) Power consumption: 4.5 W (11W with IR on)	
Dimensions (L × W × H)	282.6 × 90 × 86 mm (11.1" × 3.5" × 3.4")	
Weight	1.2 kg (2.6 lb)	
Working Environment	-40° C ~ +60° C (-40° F ~ 140° F), Humidity ≤ 90% RH (non-condensing)	
Ingress Protection	IP66	

IPC242L-IR-IN

2MP VF Network (IR) Bullet Camera

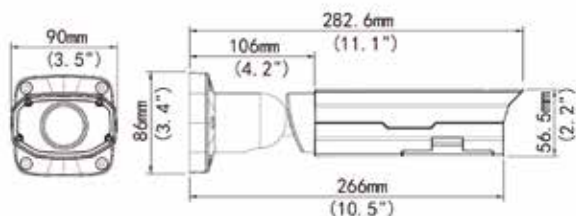
Phasing Out



Key Features

- 1/2.8" progressive scan CMOS
- Up to 1920 × 1080 resolution, 30fps
- 3 ~ 10.5mm
- Smart IR, up to 30m IR distance
- ROI, Corridor Mode, ONVIF
- AC24V, DC12V, PoE. Wide voltage range of ±25%
- IP66

Dimensions



Accessories



TR-UP06-A-IN



TR-JB07-IN



TR-UP06-IN

Specifications

IPC242L-IR-IN	
Camera	
Sensor	1/2.8", 2 megapixel, progressive scan CMOS
Shutter	Auto/Manual, 1/6 ~ 1/8000 s
Lens	3 ~ 10.5 mm, F1.4
Zoom/Focus	Manual
Angle of View (H)	102.4° (wide) ~ 27.4° (tele)
Min. Illumination	Colour: 0.03 Lux (F1.4, 50IRE) Black & White: 0.01Lux (F1.4, 50IRE)
Day/Night	IR-cut filter with auto switch (ICR)
S/N	>52dB
IR	Smart-IR, up to 30m (98 ft) IR range
Video	
Max. Resolution	1920 × 1080
Video Compression	H.264, MJPEG
Frame Rate	1080P (1920 × 1080) 30 fps; 720P (1280 × 720) 30 fps; D1 (720 × 576) 25 fps
9:16 Corridor Mode	Supported
ROI (Region of Interest)	Supported
Video Streaming	Triple
OSD	Up to 8 OSDs
Privacy Mask	Up to 8 areas
Storage	
Edge Storage	Micro SD, up to 64 GB
Network	
Protocols	L2TP, IPv4, IGMP, ICMP, ARP, TCP, UDP, DHCP, PPPoE, RTP, RTSP, Qos, NTP, FTP, HTTP, SNMP, SIP
Compatible Integration	ONVIF, IMOS, API
Interface	
Network	10M/100M Base-TX Ethernet
General	
Power	12 V DC, 24 V AC or PoE (IEEE802.3 af) Power consumption: 4.5 W (11W with IR on)
Dimensions (L × W × H)	282.6 × 90 × 86 mm (11.1" × 3.5" × 3.4")
Weight	1.2 kg (2.6 lb)
Working Environment	-40° C ~ +60° C (-40° F ~ 140° F), Humidity ≤ 90% RH (non-condensing)
Ingress Protection	IP66

NETWORK CAMERA

NVR

ENCODER DECODER

STORAGE

IPC321SR3-VSPF28 (40) (60)

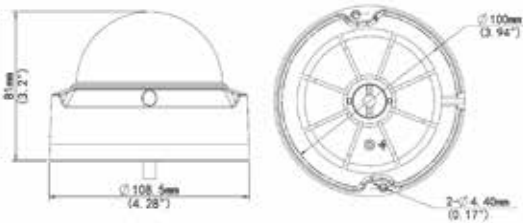
1.3MP Vandal-resistant Network IR Fixed Dome Camera



Key Features

- 1/3" progressive scan CMOS
- Up to 1280 x 960 resolution, 30fps
- 2.8mm/4mm/6mm optional
- Smart IR, up to 30m IR distance
- 3D DNR, ROI, 9:16 corridor mode, ONVIF
- DC12V, PoE, wide voltage range of $\pm 25\%$
- IP66, IK10

Dimensions



Accessories



Specifications

	IPC321SR3-VSPF28	IPC321SR3-VSPF40	IPC321SR3-VSPF60
Camera			
Sensor	1/3", 1.3 megapixel, progressive scan CMOS		
Shutter	Auto/Manual, 1/6 ~ 1/8000 s		
Lens	2.8 mm @ F2.0 Angle of view (H): 96.5°	4.0 mm @ F2.0 Angle of view (H): 70.0°	6.0 mm @ F2.0 Angle of view (H): 45°
Day/Night	IR-cut filter with auto switch (ICR)		
Min. Illumination	Colour: 0.02 Lux (F2.0, AGC ON) 0 Lux with IR		
S/N	>50dB		
WDR	Supported		
Video			
Max. Resolution	1280 × 960		
Video Compression	H.264, MJPEG		
Frame Rate	960P (1280 × 960): Max. 30 fps; 720P (1280 × 720): Max. 30 fps		
9:16 Corridor Mode	Supported		
ROI	Supported		
Video Streaming	Triple		
OSD	Up to 8 OSDs		
Privacy Mask	Up to 4 areas		
Storage			
Edge Storage	Micro SD, up to 128 GB		
Network			
Protocols	L2TP, IPv4, IGMP, ICMP, ARP, TCP, UDP, DHCP, PPPoE, RTP, RTSP, Qos, NTP, FTP, HTTP, SNMP, SIP		
Compatible Integration	ONVIF, API		
Interface			
Network	10M/100M Base-TX Ethernet		
General			
Power	12 V DC, or PoE (IEEE802.3 af) Power consumption: Max 5.5W		
Dimensions (Ø × H)	Φ108.5 × 81 mm (Ø4.28" × 3.2")		
Weight	0.45 kg (0.99 lb)		
Working Environment	-35° C ~ +60° C (-31° F ~ 140° F), Humidity ≤ 90% RH (non-condensing)		
Vandal Resistant	IK10		
Ingress Protection	IP66		

IPC322ER3-DVPF28 (36) (60)

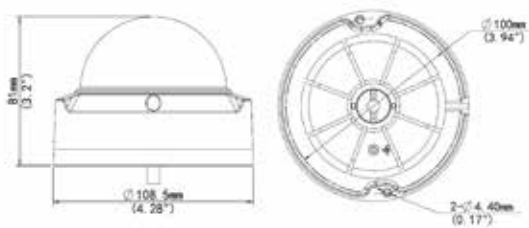
2MP WDR Vandal-resistant Network IR Fixed Dome Camera



Key Features

- 1/2.7" progressive scan CMOS
- Up to 1920 × 1080 resolution, 30fps
- 2.8mm/3.6mm/6mm optional
- Smart IR, up to 30m IR distance
- 3D DNR, ROI, 9:16 corridor mode, ONVIF
- DC12V, PoE, wide voltage range of ±25%
- IP66, IK10

Dimensions



Accessories



TR-WM03-IN TR-JB07/WM03-IN TR-UP06-IN TR-JB03-IN

Specifications

	IPC322ER3-DVPF28	IPC322ER3-DVPF36	IPC322ER3-DVPF60
Camera			
Sensor	1/2.7", 2 megapixel, progressive scan CMOS		
Shutter	Auto/Manual, 1/6 ~ 1/8000 s		
Lens	2.8 mm @ F2.0 Angle of view (H): 108°	3.6 mm @ F2.0 Angle of view (H): 84.7°	6.0 mm @ F2.0 Angle of view (H): 53.2°
Day/Night	IR-cut filter with auto switch (ICR)		
Min. Illumination	Colour: 0.02 Lux (F2.0, AGC ON) 0 Lux with IR		
S/N	>52dB		
WDR	Optical WDR(up to 120dB)		
Video			
Max. Resolution	1920 × 1080		
Video Compression	H.264, MJPEG		
Frame Rate	1080P (1920 × 1080): MAX. 30 fps; 720P (1280 × 720): MAX. 30 fps		
9:16 Corridor Mode	Supported		
ROI	Supported		
Video Streaming	Triple		
OSD	Up to 8 OSDs		
Privacy Mask	Up to 4 areas		
Audio			
Audio Compression	G.711		
Two-way audio	Supported		
Storage			
Edge Storage	Micro SD, up to 128 GB		
Network			
Protocols	L2TP, IPv4, IGMP, ICMP, ARP, TCP, UDP, DHCP, PPPoE, RTP, RTSP, Qos, NTP, FTP, HTTP, SNMP, SIP		
Compatible Integration	ONVIF, API		
Interface			
Audio I/O	Input: impedance 35 kΩ; amplitude 2 V [p-p] Output: impedance 600 Ω; amplitude 2 V [p-p]		
Alarm I/O	1 / 1		
Network	10M/100M Base-TX Ethernet		
General			
Power	12 V DC, or PoE (IEEE802.3 af) Power consumption: Max 5.5W		
Dimensions (Ø × H)	Φ108.5 × 81 mm (Ø4.28" × 3.2")		
Weight	0.45 kg (0.99 lb)		
Working Environment	-35° C ~ +60° C (-31° F ~ 140° F), Humidity ≤ 90% RH (non-condensing)		
Vandal Resistant	IK10		
Ingress Protection	IP66		

NETWORK CAMERA

NVR

ENCODER DECODER

STORAGE

IPC324ER3-DVPF28 (36) (60)

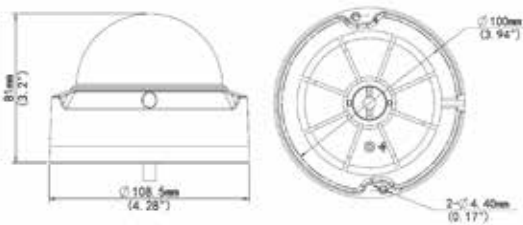
4MP WDR Vandal-resistant Network IR Fixed Dome Camera



Key Features

- 1/3" progressive scan CMOS
- 2560 × 1440 resolution, 25fps
- 2.8mm/3.6mm/6mm optional
- Smart IR, up to 30m IR distance
- H.265, 3D DNR, ROI, 9:16 corridor mode, ONVIF
- DC12V, PoE, wide voltage range of ±25%
- IP66, IK10

Dimensions



Accessories



TR-WM03-IN TR-JB07/WM03-IN TR-UP06-IN TR-JB03-IN

Specifications

	IPC324ER3-DVPF28	IPC324ER3-DVPF36	IPC324ER3-DVPF60
Camera			
Sensor	1/3", 4 megapixel, progressive scan CMOS		
Shutter	Auto/Manual, 1/6 ~ 1/8000 s		
Lens	2.8 mm @ F2.0 Angle of view (H): 93.0°	3.6 mm @ F2.0 Angle of view (H): 72.0°	6.0 mm @ F2.0 Angle of view (H): 42.0°
Day/Night	IR-cut filter with auto switch (ICR)		
Min. Illumination	Colour: 0.02 Lux (F2.0, AGC ON) 0 Lux with IR		
S/N	>55dB		
WDR	120dB		
Video			
Max. Resolution	2592 × 1520		
Video Compression	H.265, H.264, MJPEG		
Frame Rate	4MP (2592 × 1520): Max. 20 fps; 4MP (2560 × 1440): Max. 25 fps; 3MP (2048 × 1520): Max. 30 fps; 1080P (1920 × 1080): Max. 30 fps		
9:16 Corridor Mode	Supported		
ROI	Supported		
Video Streaming	Triple		
OSD	Up to 8 OSDs		
Privacy Mask	Up to 4 areas		
Audio			
Audio Compression	G.711		
Two-way audio	Supported		
Storage			
Edge Storage	Micro SD, up to 128 GB		
Network			
Protocols	L2TP, IPv4, IGMP, ICMP, ARP, TCP, UDP, DHCP, PPPoE, RTP, RTSP, Qos, NTP, FTP, HTTP, SNMP, SIP		
Compatible Integration	ONVIF, API		
Interface			
Audio I/O	Input: impedance 35 kΩ; amplitude 2 V [p-p] Output: impedance 600 Ω; amplitude 2 V [p-p]		
Alarm I/O	1 / 1		
Network	10M/100M Base-TX Ethernet		
General			
Power	12 V DC, or PoE (IEEE802.3 af) Power consumption: Max 5.5W		
Dimensions (Ø × H)	Φ108.5 × 81 mm (Ø4.28" × 3.2")		
Weight	0.45 kg (0.99 lb)		
Working Environment	-35° C ~ +60° C (-31° F ~ 140° F), Humidity ≤ 95% RH (non-condensing)		
Vandal Resistant	IK10		
Ingress Protection	IP66		

IPC3611SR3 Series

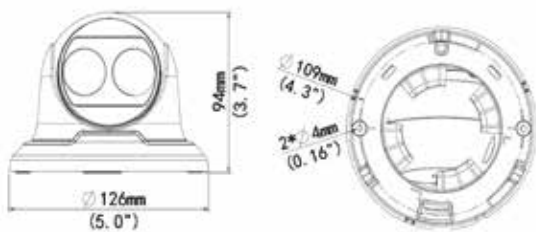
1.3MP Network IR Fixed Dome Camera



Key Features

- 1/3" progressive scan CMOS
- Up to 1280 × 960 resolution, 30fps
- 2.8mm/3.6mm/6mm optional
- Smart IR, up to 30m IR distance
- 3D DNR, ONVIF
- DC12V, PoE, wide voltage range of ±25%
- IP66

Dimensions



Accessories



Specifications

	IPC3611SR3-PF28	IPC3611SR3-PF36	IPC3611SR3-PF60
Camera			
Sensor	1/3", 1.3 megapixel, progressive scan, CMOS		
Lens	2.8mm @ F1.8 Angle of view (H): 99.1°	3.6mm @ F1.8 Angle of view (H): 76.7°	6mm @ F1.8 Angle of view (H): 46.9°
Min. Illumination	Colour: 0.02 Lux (F1.8, AGC ON) 0 Lux with IR		
Shutter	Auto/Manual, 1/6 ~ 1/8000 s		
Day/Night	IR-cut filter with auto switch (ICR)		
IR	30m (98 ft) IR range		
AWB (Auto white balance)	Auto/manual		
Gain Control	Auto/manual		
WDR	Digital		
Noise Reduction	2D/3D		
Video			
Max. Resolution	1280×960		
Video Compression	H.264/MJPEG		
Frame Rate	960P (1280 × 960): Max. 30 fps; 720P (1280 × 720): Max. 30 fps; D1 (720 × 576): Max. 25 fps		
Video Streaming	Triple		
OSD	Up to 8 OSDs		
Motion Detection	Up to 2 areas		
Privacy Mask	Up to 4 areas		
Network			
Protocols	IPv4, IGMP, ICMP, ARP, TCP, UDP, DHCP, RTP, RTSP, Qos, DNS, DDNS, NTP, FTP, UPnP, HTTP		
Compatible Integration	ONVIF		
Interface			
Network	10M/100M Base-TX Ethernet		
General			
Power	12 V DC, or PoE (IEEE802.3 af) Power consumption: 3.5 W (5.5W with IR on)		
Dimensions (Ø × H)	Φ126 × 94 mm (Ø5.0" × 3.7")		
Weight	0.33 kg (0.73 lb)		
Working Environment	-35° C ~ +60° C (-31° F ~ 140° F), Humidity ≤ 90% RH (non-condensing)		
Ingress Protection	IP66		

IPC3612SR3 Series

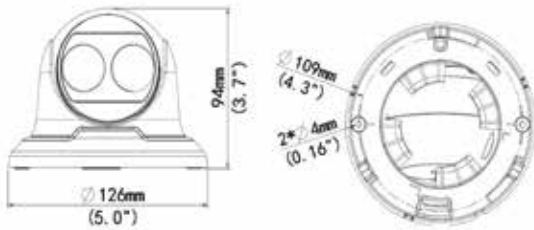
2MP Network IR Fixed Dome Camera



Key Features

- 1/3" progressive scan CMOS
- Up to 1920 × 1080 resolution, 30fps
- 2.8mm/3.6mm/6mm optional
- Smart IR, up to 30m IR distance
- 3D DNR, Corridor Mode, ONVIF
- DC12V, PoE, wide voltage range of ±25%
- IP66

Dimensions



Accessories



Specifications

	IPC3612SR3-PF28	IPC3612SR3-PF36	IPC3612SR3-PF60
Camera			
Sensor	1/3", 2 megapixel, progressive scan, CMOS		
Lens	2.8mm @ F1.8 Angle of view (H): 99.1°	3.6mm @ F1.8 Angle of view (H): 76.7°	6mm @ F1.8 Angle of view (H): 46.9°
Min. Illumination	Colour: 0.06 Lux (F1.8, AGC ON) 0 Lux with IR		
Shutter	Auto/Manual, 1/6 ~ 1/8000 s		
Day/Night	IR-cut filter with auto switch (ICR)		
IR	30m (98 ft) IR range		
AWB(Auto white balance)	Auto/manual		
Gain Control	Auto/manual		
WDR	Supported		
Noise Reduction	2D/3D		
Video			
Max. Resolution	1920 × 1080		
Video Compression	H.264/MJPEG		
Frame Rate	1080P (1920 × 1080): Max. 30 fps; 720P (1280 × 720): Max. 30 fps; D1 (720 × 576): Max. 25 fps		
Video Streaming	Triple		
OSD	Up to 8 OSDs		
9:16 Corridor Format	Supported		
Motion Detection	Up to 2 areas		
Privacy Mask	Up to 4 areas		
Network			
Protocols	IPv4, IGMP, ICMP, ARP, TCP, UDP, DHCP, RTP, RTSP, Qos, DNS, DDNS, NTP, FTP, UPnP, HTTP		
Compatible Integration	ONVIF, API		
Interface			
Network	10M/100M Base-TX Ethernet		
General			
Power	12 V DC, or PoE (IEEE802.3 af) Power consumption: 3.5 W (5.5W with IR on)		
Dimensions (Ø × H)	Φ126 × 94 mm (Ø5.0" × 3.7")		
Weight	0.33 kg (0.73 lb)		
Working Environment	-35° C ~ +60° C (-31° F ~ 140° F), Humidity ≤ 90% RH (non-condensing)		
Ingress Protection	IP66		

IPC3614SR3-DPF28 (36) (60)

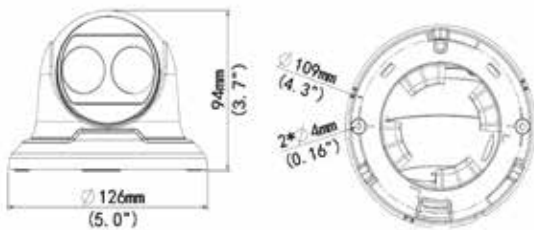
4MP Network IR Fixed Dome Camera



Key Features

- 1/3" progressive scan CMOS
- 2560 × 1440 resolution, 25fps
- 2.8mm/3.6mm/6.0mm optional
- Smart IR, up to 30m IR distance
- H.265, 3D DNR, ROI, 9:16 corridor mode, ONVIF
- DC12V, PoE, wide voltage range of ±25%
- IP66

Dimensions



Accessories



Specifications

	IPC3614SR3-DPF28	IPC3614SR3-DPF36	IPC3614SR3-DPF60
Camera			
Sensor	1/3", 4 megapixel, progressive scan, CMOS		
Lens	2.8mm @ F1.8 Angle of view (H): 112.5°	3.6mm @ F1.8 Angle of view (H): 77.6°	6mm @ F1.8 Angle of view (H): 49.4°
Min. Illumination	Colour: 0.02 Lux (F1.8, AGC ON) 0 Lux with IR		
Shutter	Auto/Manual, 1/6 ~ 1/8000 s		
Day/Night	IR-cut filter with auto switch (ICR)		
IR	30m (98 ft) IR range		
AWB(Auto white balance)	Auto/manual		
Gain Control	Auto/manual		
WDR	120dB		
Noise Reduction	2D/3D		
Video			
Max. Resolution	2592 × 1520		
Video Compression	H.265, H.264, MJPEG		
Frame Rate	4MP (2592 × 1520): Max. 20 fps; 4MP (2560 × 1440): Max. 25 fps; 3MP (2048 × 1520): Max. 30 fps; 1080P (1920 × 1080): Max. 30 fps		
Video Streaming	Triple		
OSD	Up to 8 OSDs		
9:16 Corridor Mode	Supported		
Motion Detection	Up to 2 areas		
Privacy Mask	Up to 4 areas		
Network			
Protocols	L2TP, IPv4, IGMP, ICMP, ARP, TCP, UDP, DHCP, PPPoE, RTP, RTSP, DNS, DDNS, NTP, FTP, UPnP, HTTP, HTTPS, SMTP, SNMP, SIP, QoS		
Compatible Integration	ONVIF, API		
Interface			
Network	10M/100M Base-TX Ethernet		
General			
Power	12 V DC, or PoE (IEEE802.3 af) Power consumption: Max 5.5 W		
Dimensions (Ø × H)	Φ126 × 94 mm (Ø5.0" × 3.7")		
Weight	0.33 kg (0.73 lb)		
Operating Conditions	-35° C ~ +60° C (-31° F ~ 140° F), Humidity ≤ 95% RH (non-condensing)		
Ingress Protection	IP66		

IPC3614SR3-DPF28 (36) (60) M

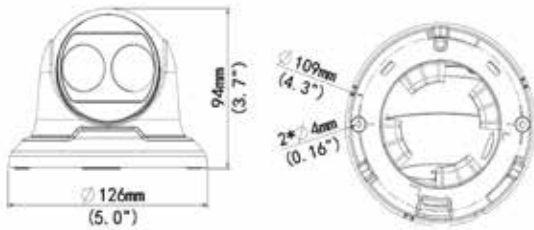
4MP Network IR Fixed Dome Camera



Key Features

- 1/3" progressive scan CMOS
- 2560 × 1440 resolution, 25fps
- 2.8mm/3.6mm/6.0mm optional
- Smart IR, up to 30m IR distance
- H.265, 3D DNR, ROI, 9:16 corridor mode, ONVIF
- DC12V, PoE, wide voltage range of ±25%
- IP66

Dimensions



Accessories



Specifications

	IPC3614SR3-DPF28M	IPC3614SR3-DPF36M	IPC3614SR3-DPF60M
Camera			
Sensor	1/3", 4 megapixel, progressive scan, CMOS		
Lens	2.8mm @ F1.8 Angle of view (H): 112.5°	3.6mm @ F1.8 Angle of view (H): 77.6°	6mm @ F1.8 Angle of view (H): 49.4°
Min. Illumination	Colour: 0.02 Lux (F1.8, AGC ON) 0 Lux with IR		
Shutter	Auto/Manual, 1/6 ~ 1/8000 s		
Day/Night	IR-cut filter with auto switch (ICR)		
IR	30m (98 ft) IR range		
AWB(Auto white balance)	Auto/manual		
Gain Control	Auto/manual		
WDR	120dB		
Noise Reduction	2D/3D		
Video			
Max. Resolution	2592 × 1520		
Video Compression	H.265, H.264, MJPEG		
Frame Rate	4MP (2592 × 1520): Max. 20 fps; 4MP (2560 × 1440): Max. 25 fps; 3MP (2048 × 1520): Max. 30 fps; 1080P (1920 × 1080): Max. 30 fps		
Video Streaming	Triple		
OSD	Up to 8 OSDs		
9:16 Corridor Mode	Supported		
Motion Detection	Up to 2 areas		
Privacy Mask	Up to 4 areas		
Network			
Protocols	L2TP, IPv4, IGMP, ICMP, ARP, TCP, UDP, DHCP, PPPoE, RTP, RTSP, DNS, DDNS, NTP, FTP, UPnP, HTTP, HTTPS, SMTP, SNMP, SIP, QoS		
Compatible Integration	ONVIF, API		
Interface			
Network	10M/100M Base-TX Ethernet		
General			
Power	12 V DC, or PoE (IEEE802.3 af) Power consumption: Max 5.5 W		
Dimensions (Ø × H)	Φ126 × 94 mm (Ø5.0" × 3.7")		
Weight	0.45 kg (0.99 lb)		
Operating Conditions	-35° C ~ +60° C (-31° F ~ 140° F), Humidity ≤ 95% RH (non-condensing)		
Ingress Protection	IP66		

IPC3611ER3 Series

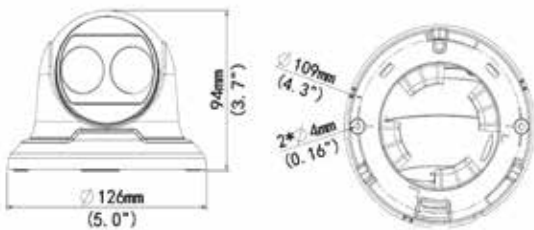
1.3MP Network IR Fixed Dome Camera



Key Features

- 1/3" progressive scan CMOS
- Enhanced Sensor (Compared to IPC3611SR3)
- Up to 1280 × 960 resolution, 30fps
- 2.8mm/3.6mm/6mm optional
- Smart IR, up to 30m IR distance
- 3D DNR, ONVIF
- DC12V, (-P) PoE, wide voltage range of ±25%
- IP66

Dimensions



Accessories



Specifications

	IPC3611ER3-PF28	IPC3611ER3-PF36	IPC3611ER3-PF60
Camera			
Sensor	1/3", 1.3 megapixel, progressive scan, CMOS		
Lens	2.8mm @ F1.8 Angle of view (H): 99.1°	3.6mm @ F1.8 Angle of view (H): 76.7°	6mm @ F1.8 Angle of view (H): 46.9°
Min. Illumination	Colour: 0.002 Lux (F1.8, AGC ON) 0 Lux with IR		
Shutter	Auto/Manual, 1/6 ~ 1/8000 s		
Day/Night	IR-cut filter with auto switch (ICR)		
IR	30m (98 ft) IR range		
AWB(Auto white balance)	Auto/manual		
Gain Control	Auto/manual		
WDR	Digital		
Noise Reduction	2D/3D		
Video			
Max. Resolution	1280 × 960		
Video Compression	H.264/MJPEG		
Frame Rate	960P (1280 × 960): Max. 30 fps; 720P (1280 × 720): Max. 30 fps; D1 (720 × 576): Max. 25 fps		
Video Streaming	Triple		
OSD	Up to 8 OSDs		
Motion Detection	Up to 2 areas		
Privacy Mask	Up to 4 areas		
Network			
Protocols	IPv4, IGMP, ICMP, ARP, TCP, UDP, DHCP, RTP, RTSP, Qos, DNS, DDNS, NTP, FTP, UPnP, HTTP		
Compatible Integration	ONVIF		
Interface			
Network	10M/100M Base-TX Ethernet		
General			
Power	12 V DC, or PoE (IEEE802.3 af) Power consumption: 3.5 W (5.5W with IR on)		
Dimensions (Ø × H)	Φ126 × 94 mm (Ø5.0" × 3.7")		
Weight	0.33 kg (0.73 lb)		
Operating Conditions	-35° C ~ +60° C (-31° F ~ 140° F), Humidity ≤ 90% RH (non-condensing)		
Ingress Protection	IP66		

IPC3612ER3 Series

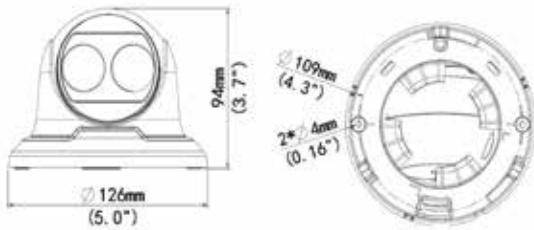
2MP Network IR Fixed Dome Camera



Key Features

- 1/2.8" progressive scan CMOS
- Enhanced Sensor (Compared to IPC3612SR3)
- Up to 1920 × 1080 resolution, 30fps
- 2.8mm/3.6mm/6mm optional
- Smart IR, up to 30m IR distance
- 3D DNR, Corridor Mode, ONVIF
- DC12V, PoE, wide voltage range of ±25%
- IP66

Dimensions



Accessories



Specifications

	IPC3612ER3-PF28	IPC3612ER3-PF36	IPC3612ER3-PF60
Camera			
Sensor	1/2.8", 2 megapixel, progressive scan, CMOS		
Lens	2.8mm @ F1.8 Angle of view (H): 103°	3.6mm @ F1.8 Angle of view (H): 80.5°	6mm @ F1.8 Angle of view (H): 49.9°
Min. Illumination	Colour: 0.02 Lux (F1.8, AGC ON) 0 Lux with IR		
Shutter	Auto/Manual, 1/6 ~ 1/8000 s		
Day/Night	IR-cut filter with auto switch (ICR)		
IR	30m (98 ft) IR range		
AWB(Auto white balance)	Auto/manual		
Gain Control	Auto/manual		
Image Rotation	Supported		
WDR	Digital		
Noise Reduction	2D/3D		
Video			
Max. Resolution	1920 × 1080		
Video Compression	H.264/MJPEG		
Frame Rate	1080P (1920 × 1080): Max. 30 fps; 720P (1280 × 720): Max. 30 fps; D1 (720 × 576): Max. 25 fps		
Video Streaming	Triple		
OSD	Up to 8 OSDs		
9:16 Corridor Format	Supported		
Motion Detection	Up to 2 areas		
Privacy Mask	Up to 4 areas		
Network			
Protocols	IPv4, IGMP, ICMP, ARP, TCP, UDP, DHCP, RTP, RTSP, Qos, DNS, DDNS, NTP, FTP, UPnP, HTTP		
Compatible Integration	ONVIF		
Interface			
Network	10M/100M Base-TX Ethernet		
General			
Power	12 V DC, or PoE (IEEE802.3 af) Power consumption: 3.5 W (5.5W with IR on)		
Dimensions (Ø × H)	Φ126 × 94 mm (Ø5.0" × 3.7")		
Weight	0.33 kg (0.73 lb)		
Working Environment	-35° C ~ +60° C (-31° F ~ 140° F), Humidity ≤ 90% RH (non-condensing)		
Ingress Protection	IP66		

IPC3612ER3-PF28 (36) (60) M

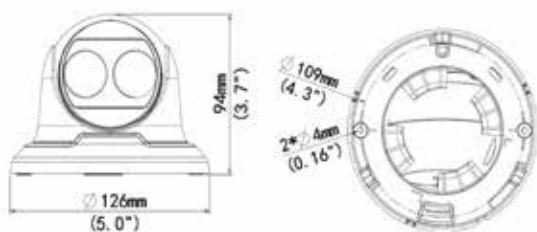
2MP Network IR Fixed Dome Camera



Key Features

- 1/2.8" progressive scan CMOS
- 1920 × 1080 resolution, 30fps
- 2.8mm/3.6mm/6.0mm optional
- Smart IR, up to 30m IR distance
- 3D DNR, ROI, 9:16 corridor mode, ONVIF
- DC12V, PoE, wide voltage range of ±25%
- IP66

Dimensions



Accessories



Specifications

	IPC3612ER3-PF28M	IPC3612ER3-PF36M	IPC3612ER3-PF60M
Camera			
Sensor	1/2.8", 2 megapixel, progressive scan, CMOS		
Lens	2.8mm @ F1.8 Angle of view (H): 103.0°	3.6mm @ F1.8 Angle of view (H): 80.5°	6mm @ F1.8 Angle of view (H): 49.9°
Min. Illumination	Colour: 0.02 Lux (F1.8, AGC ON) 0 Lux with IR		
Shutter	Auto/Manual, 1/6 ~ 1/8000 s		
Day/Night	IR-cut filter with auto switch (ICR)		
IR	30m (98 ft) IR range		
AWB(Auto white balance)	Auto/manual		
Gain Control	Auto/manual		
Noise Reduction	2D/3D		
Video			
Max. Resolution	1920 × 1080		
Video Compression	H.264, MJPEG		
Frame Rate	1080P (1920 × 1080): Max. 30 fps; 720P (1280 × 720): Max. 30 fps; D1 (720 × 576): Max. 25 fps		
Video Streaming	Triple		
OSD	Up to 8 OSDs		
9:16 Corridor Mode	Supported		
Motion Detection	Up to 2 areas		
Privacy Mask	Up to 4 areas		
Network			
Protocols	L2TP, IPv4, IGMP, ICMP, ARP, TCP, UDP, DHCP, PPPoE, RTP, RTSP, DNS, DDNS, NTP, FTP, UPnP, HTTP, HTTPS, SMTP, SNMP, SIP, QoS		
Compatible Integration	ONVIF, API		
Interface			
Network	10M/100M Base-TX Ethernet		
General			
Power	12 V DC, or PoE (IEEE802.3 af) Power consumption: Max 5.5 W		
Dimensions (Ø × H)	Φ126 × 94 mm (Ø5.0" × 3.7")		
Weight	0.45 kg (0.99 lb)		
Operating Conditions	-35° C ~ +60° C (-31° F ~ 140° F), Humidity ≤ 95% RH (non-condensing)		
Ingress Protection	IP66		

NETWORK CAMERA

NVR

ENCODER DECODER

STORAGE

IPC341LR-V

1.3MP VF Vandal-resistant Network IR Fixed Dome Camera

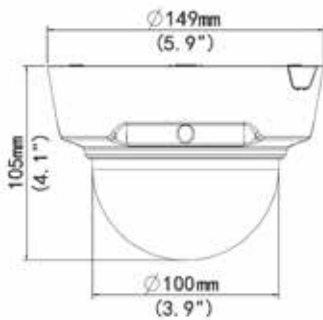
Phasing Out



Key Features

- 1/3" progressive scan CMOS
- Up to 1280 × 960 resolution, 30fps
- 2.8 ~ 12mm
- Smart IR, up to 30m IR distance
- 3D DNR, Corridor Mode, ROI, ONVIF
- DC12V, PoE, wide voltage range of ±25%
- IP66, IK10

Dimensions



Accessories



TR-UF45-F-IN TR-CE45-IN TR-FM152-IN TR-WM04-IN



TR-JB07/WM04-IN TR-UP06-IN TR-JB04-A-IN

Specifications

IPC341LR-V	
Camera	
Sensor	1/3", 1.3 megapixel, progressive scan CMOS
Shutter	Auto/Manual, 1/6 ~ 1/8000 s
Lens	2.8 ~ 12 mm @ F1.4; Angle of View (H): 90° (wide) ~ 28° (tele)
Zoom/Focus	Manual
Min. Illumination	Colour: 0.06 Lux (F1.4, 50IRE) Black & White: 0.03Lux (F1.4, 50IRE)
Day/Night	IR-cut filter with auto switch (ICR)
S/N	>50dB
Video	
Max. Resolution	1280 × 960
Video Compression	H.264, MJPEG
Frame Rate	960P (1280 × 960): Max. 30 fps; 720P (1280 × 720): Max. 30 fps; D1 (720 × 576): Max. 25 fps
9:16 Corridor Mode	Supported
ROI (Region of Interest)	Supported
Video Streaming	Triple
OSD	Up to 8 OSDs
Privacy Mask	Up to 4 areas
Audio	
Audio Compression	G.711
Two-way audio	Supported
Storage	
Edge Storage	Micro SD, up to 64 GB
Network	
Protocols	L2TP, IPv4, IGMP, ICMP, ARP, TCP, UDP, DHCP, PPPoE, RTP, RTSP, Qos, NTP, FTP, HTTP, SNMP, SIP
Compatible Integration	ONVIF, IMOS, API
Interface	
Audio I/O	Audio cable Input: impedance 35 kΩ; amplitude 2 V [p-p] Output: impedance 600 Ω; amplitude 2 V [p-p]
Alarm I/O	1 / 1
Network	10M/100M Base-TX Ethernet
General	
Power	12 V DC, or PoE (IEEE802.3 af) Power consumption: 3.5 W (5.5W with IR on)
Dimensions (Ø × H)	Φ149 × 105mm (Ø5.9" × 4.1")
Weight	0.75 kg (1.7 lb)
Working Environment	-35° C ~ +60° C (-31° F ~ 140° F), Humidity ≤ 90% RH (non-condensing)
Vandal Resistant	IK10
Ingress Protection	IP66

IPC341E-DLVIR-IN

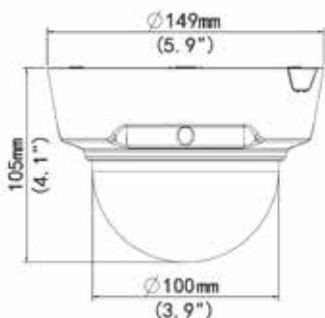
1.3MP WDR Low-light VF Vandal-resistant Network IR Fixed Dome Camera Phasing Out



Key Features

- 1/3" progressive scan CMOS
- Up to 1280 × 960 resolution, 30fps
- 3 ~ 10.5mm
- Smart IR, up to 30m IR distance
- 120dB True WDR
- ROI, Corridor Mode, ONVIF
- DC12V, PoE, wide voltage range of ±25%
- IP66, IK10

Dimensions



Accessories



Specifications

IPC341E-DLVIR-IN	
Camera	
Sensor	1/3", 1.3 megapixel, progressive scan CMOS
Shutter	Auto/Manual, 1/6 ~ 1/8000 s
Lens	3 ~ 10.5 mm, F1.4
Zoom/Focus	Manual
Angle of View (H)	91.2° (wide) ~ 25.5° (tele)
Min. Illumination	Colour: 0.02 Lux (F1.4, 50IRE) Black & White: 0.008Lux (F1.4, 50IRE)
Day/Night	IR-cut filter with auto switch (ICR)
S/N	>50dB
WDR	120dB
IR	Smart-IR, up to 30m (98 ft) IR range
Video	
Max. Resolution	1280 × 960
Video Compression	H.264, MJPEG
Frame Rate	960P (1280 × 960) 30 fps; 720P (1280 × 720) 30 fps; D1 (720 × 576) 25 fps
9:16 Corridor Mode	Supported
ROI(Region of Interest)	Supported
Video Streaming	Triple
OSD	Up to 8 OSDs
Privacy Mask	Up to 4 areas
Audio	
Audio Compression	G.711
Two-way audio	Supported
Storage	
Edge Storage	Micro SD, up to 64 GB
Network	
Protocols	L2TP, IPv4, IGMP, ICMP, ARP, TCP, UDP, DHCP, PPPoE, RTP, RTSP, Qos, NTP, FTP, HTTP, SNMP, SIP
Compatible Integration	ONVIF, IMOS, API
Interface	
Audio I/O	3.5 mm audio interface Input: impedance 35 kΩ; amplitude 2 V [p-p] Output: impedance 600 Ω; amplitude 2 V [p-p]
Alarm I/O	2 / 1
Serial Port	1 RS485
Network	10M/100M Base-TX Ethernet
Video Output	1 BNC, impedance 75 Ω; amplitude 1 V [p-p]
General	
Power	12 V DC, or PoE (IEEE802.3 af) Power consumption: 4.5 W Power consumption: 4.5 W (8.7W with IR on)
Dimensions (Ø × H)	Φ149 × 105mm (Ø5.9" × 4.1")
Weight	0.75 kg (1.7 lb)
Working Environment	-35° C ~ +60° C (-31° F ~ 140° F), Humidity ≤ 90% RH (non-condensing)
Vandal Resistant	IK10
Ingress Protection	IP66

IPC341E-VIR-Z-IN

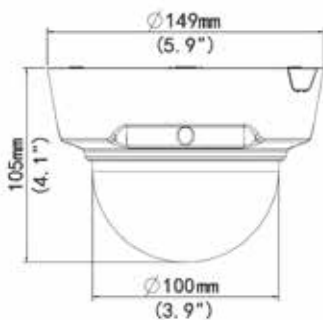
1.3MP Low-light (Motorized) VF Vandal-resistant Network IR Fixed Dome Camera **Phasing Out**



Key Features

- 1/3" progressive scan CMOS
- Up to 1280 × 960 resolution, 30fps
- Smart IR, up to 30m IR distance
- Built-in 2.8 ~ 12mm motorized lens
- 3D DNR, ROI, Corridor Mode, ONVIF
- DC12V, PoE, wide voltage range of ±25%
- IP66, IK10

Dimensions



Accessories



Specifications

IPC341E-VIR-Z-IN	
Camera	
Sensor	1/3", 1.3 megapixel, progressive scan CMOS
Shutter	Auto/Manual, 1/6 ~ 1/8000 s
Lens	2.8 ~ 12 mm, F1.4
Zoom/Focus	Motor drive
Angle of View (H)	90° (wide) ~ 28° (tele)
Min. Illumination	Colour: 0.03 Lux (F1.4, 50IRE) Black & White: 0.01Lux (F1.4, 50IRE)
Day/Night	IR-cut filter with auto switch (ICR)
S/N	>50dB
IR	Smart-IR, up to 30m (98 ft) IR range
Video	
Max. Resolution	1280 × 960
Video Compression	H.264, MJPEG
Frame Rate	960P (1280 × 960) 30 fps; 720P (1280 × 720) 30 fps; D1 (720 × 576) 25 fps
9:16 Corridor Mode	Supported
ROI (Region of Interest)	Supported
Video Streaming	Triple
OSD	Up to 8 OSDs
Privacy Mask	Up to 8 areas
Audio	
Audio Compression	G.711
Two-way audio	Supported
Storage	
Edge Storage	Micro SD, up to 64 GB
Network	
Protocols	L2TP, IPv4, IGMP, ICMP, ARP, TCP, UDP, DHCP, PPPoE, RTP, RTSP, Qos, NTP, FTP, HTTP, SNMP, SIP
Compatible Integration	ONVIF, IMOS, API
Interface	
Audio I/O	3.5 mm audio interface Input: impedance 35 kΩ; amplitude 2 V [p-p] Output: impedance 600 Ω; amplitude 2 V [p-p]
Alarm I/O	2 / 1
Serial Port	1 RS485
Network	10M/100M Base-TX Ethernet
Video Output	1 BNC, impedance 75 Ω; amplitude 1 V [p-p]
General	
Power	12 V DC, or PoE (IEEE802.3 af) Power consumption: 4.5 W (8.7W with IR on)
Dimensions (Ø × H)	Φ149 x 105mm (Ø5.9" × 4.1")
Weight	0.75 kg (1.7 lb)
Working Environment	-35° C ~ +60° C (-31° F ~ 140° F), Humidity ≤ 90% RH (non-condensing)
Vandal Resistant	IK10
Ingress Protection	IP66

IPC342LR-V

2MP VF Vandal-resistant Network IR Fixed Dome Camera

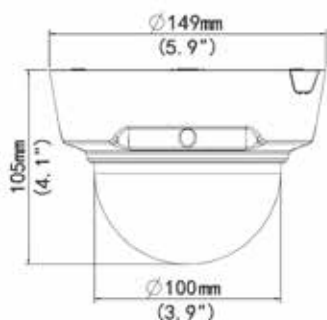
Phasing Out



Key Features

- 1/2.8" progressive scan CMOS
- Up to 1920 × 1080 resolution, 30fps
- Smart IR, up to 30m IR distance
- 2.8 ~ 12mm
- Corridor mode, ROI, ONVIF
- DC12V, PoE,
- IP66, IK10

Dimensions



Accessories



Specifications

IPC342LR-V	
Camera	
Sensor	1/2.8", 2 megapixel, progressive scan CMOS
Shutter	Auto/Manual, 1/6 ~ 1/8000 s
Lens	2.8 ~ 12 mm @ F1.4; Angle of View (H): 103° (wide) ~ 30.8° (tele)
Zoom/Focus	Manual
Min. Illumination	Colour: 0.06 Lux (F1.4, 50IRE) Black & White: 0.03Lux (F1.4, 50IRE)
Day/Night	IR-cut filter with auto switch (ICR)
S/N	>52dB
Video	
Max. Resolution	1920 × 1080
Video Compression	H.264, MJPEG
Frame Rate	1080P (1920 × 1080): Max. 30 fps; 720P (1280 × 720): Max. 30 fps; D1 (720 × 576): Max. 25 fps
9:16 Corridor Mode	Supported
ROI (Region of Interest)	Supported
Video Streaming	Triple
OSD	Up to 8 OSDs
Privacy Mask	Up to 4 areas
Audio	
Audio Compression	G.711
Two-way audio	Supported
Storage	
Edge Storage	Micro SD, up to 64 GB
Network	
Protocols	L2TP, IPv4, IGMP, ICMP, ARP, TCP, UDP, DHCP, PPPoE, RTP, RTSP, QoS, NTP, FTP, HTTP, SNMP, SIP
Compatible Integration	ONVIF, IMOS, API
Interface	
Audio I/O	Audio cable Input: impedance 35 kΩ; amplitude 2 V [p-p] Output: impedance 600 Ω; amplitude 2 V [p-p]
Alarm I/O	1 / 1
Network	10M/100M Base-TX Ethernet
General	
Power	12 V DC, or PoE (IEEE802.3 af) Power consumption: 3.5 W (5.5W with IR on)
Dimensions (Ø × H)	Φ149 × 105mm (Ø5.9" × 4.1")
Weight	0.75 kg (1.7 lb)
Working Environment	-35° C ~ +60° C (-31° F ~ 140° F), Humidity ≤ 90% RH (non-condensing)
Vandal Resistant	IK10
Ingress Protection	IP66

NETWORK CAMERA

NVR

ENCODER DECODER

STORAGE

IPC342E-DLVIR-IN

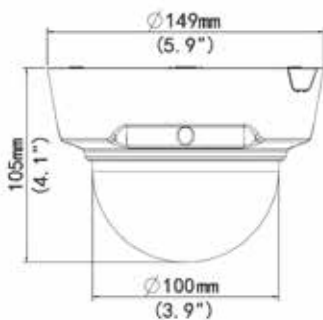
2MP WDR Low-light VF Vandal-resistant Network IR Fixed Dome Camera Phasing Out



Key Features

- 1/2.8" progressive scan CMOS
- Up to 1920 × 1080 resolution, 30fps
- 3 ~ 10.5mm
- Smart IR, up to 30m IR distance
- 120dB True WDR
- ROI, Corridor Mode, ONVIF
- DC12V, PoE, wide voltage range of ±25%
- IP66, IK10

Dimensions



Accessories



TR-UF45-F-IN TR-CE45-IN TR-FM152-IN TR-WM04-IN



TR-JB07/WM04-IN TR-UP06-IN TR-JB04-A-IN

Specifications

IPC342E-DLVIR-IN	
Camera	
Sensor	1/2.8", 2 megapixel, progressive scan CMOS
Shutter	Auto/Manual, 1/6 ~ 1/8000 s
Lens	3 ~ 10.5 mm, F1.4
Zoom/Focus	Manual
Angle of View (H)	102.4° (wide) ~ 27.4° (tele)
Min. Illumination	Colour: 0.02 Lux (F1.4, 50IRE) Black & White: 0.008Lux (F1.4, 50IRE)
Day/Night	IR-cut filter with auto switch (ICR)
S/N	>52dB
WDR	120dB
IR	Smart-IR, up to 30m (98 ft) IR range
Video	
Max. Resolution	1920 × 1080
Video Compression	H.264, MJPEG
Frame Rate	1080P (1920 × 1080) 30 fps; 720P (1280 × 720) 30 fps; D1 (720 × 576) 25 fps
9:16 Corridor Mode	Supported
ROI (Region of Interest)	Supported
Video Streaming	Triple
OSD	Up to 8 OSDs
Privacy Mask	Up to 4 areas
Audio	
Audio Compression	G.711
Two-way audio	Supported
Storage	
Edge Storage	Micro SD, up to 64 GB
Network	
Protocols	L2TP, IPv4, IGMP, ICMP, ARP, TCP, UDP, DHCP, PPPoE, RTP, RTSP, Qos, NTP, FTP, HTTP, SNMP, SIP
Compatible Integration	ONVIF, IMOS, API
Interface	
Audio I/O	3.5 mm audio interface Input: impedance 35 kΩ; amplitude 2 V [p-p] Output: impedance 600 Ω; amplitude 2 V [p-p]
Alarm I/O	2 / 1
Serial Port	1 RS485
Network	10M/100M Base-TX Ethernet
Video Output	1 BNC, impedance 75 Ω; amplitude 1 V [p-p]
General	
Power	12 V DC, or PoE (IEEE802.3 af) Power consumption: 4.5 W (8.7W with IR on)
Dimensions (Ø × H)	Φ149 × 105mm (Ø5.9" × 4.1")
Weight	0.75 kg (1.7 lb)
Working Environment	-35° C ~ +60° C (-31° F ~ 140° F), Humidity ≤ 90% RH (non-condensing)
Vandal Resistant	IK10
Ingress Protection	IP66

IPC342E-VIR-Z-IN

2MP Low-light (Motorized)VF Vandal-resistant Network IR Fixed Dome Camera

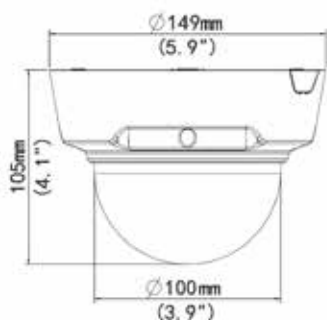
Phasing Out



Key Features

- 1/2.8" progressive scan CMOS
- Up to 1920 × 1080 resolution, 30fps
- Smart IR, up to 30m IR distance
- Built-in 3 ~ 10.5mm motorized lens
- 3D DNR, ROI, Corridor Mode, ONVIF
- DC12V, PoE, wide voltage range of ±25%
- IP66, IK10

Dimensions



Accessories



Specifications

IPC342E-VIR-Z-IN	
Camera	
Sensor	1/2.8", 2 megapixel, progressive scan CMOS, low illumination CMOS
Shutter	Auto/Manual, 1/6 ~ 1/8000 s
Lens	3 to 10.5 mm, F1.4
Zoom/Focus	Motor drive
Angle of View (H)	102.4° (wide) to 27.4° (tele)
Min. Illumination	Colour: 0.03 Lux (F1.4, 50IRE) Black & White: 0.01Lux (F1.4, 50IRE)
Day/Night	IR-cut filter with auto switch (ICR)
S/N	>52dB
IR	Smart-IR, up to 30m (98 ft) IR range
Video	
Max. Resolution	1920 × 1080
Video Compression	H.264, MJPEG
Frame Rate	1080P (1920 × 1080): Max. 30 fps; 720P (1280 × 720): Max. 30 fps; D1 (720 × 576): Max. 25 fps
9:16 Corridor Mode	Supported
ROI (Region of Interest)	Supported
Video Streaming	Triple
OSD	Up to 8 OSDs
Privacy Mask	Up to 8 areas
Audio	
Audio Compression	G.711
Two-way audio	Supported
Storage	
Edge Storage	Micro SD, up to 128 GB
Network	
Protocols	I2TP, IPv4, IGMP, ICMP, ARP, TCP, UDP, DHCP, PPPoE, RTP, RTSP, Qos, NTP, FTP, HTTP, SNMP, SIP
Compatible Integration	ONVIF, API
Interface	
Audio I/O	3.5 mm audio interface Input: impedance 35 kΩ; amplitude 2 V [p-p] Output: impedance 600 Ω; amplitude 2 V [p-p]
Alarm I/O	2 / 1
Serial Port	1 RS485
Network	10M/100M Base-TX Ethernet
Video Output	1 BNC, impedance 75 Ω; amplitude 1 V [p-p]
General	
Power	12 V DC, or PoE (IEEE802.3 af) Power consumption: 4.5 W (8.7W with IR on)
Dimensions (Ø × H)	Φ149 × 105mm (Ø5.9" × 4.1")
Weight	0.75 kg (1.7 lb)
Working Environment	-35° C ~ +60° C (-31° F ~ 140° F), Humidity ≤ 90% RH (non-condensing)
Vandal Resistant	IK10
Ingress Protection	IP66

IPC312SR-VPF28 (36)

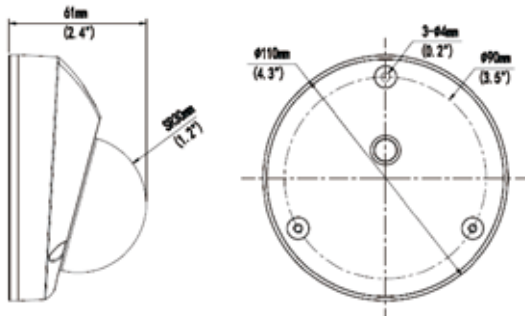
2MP Vandal-resistant IR Fixed Mini Dome Camera



Key Features

- 1/2.8" progressive scan CMOS
- Up to 1920 × 1080 resolution, 30fps
- 2.8mm/3.6mm optional
- Smart IR, up to 15m IR distance
- 3D DNR, ROI, 9:16 corridor mode, ONVIF
- DC12V, PoE, wide voltage range of ±25%
- IP66, IK10

Dimensions



Accessories



TR-JB03-B-IN

Specifications

	IPC312SR-VPF28	IPC312SR-VPF36
Camera		
Sensor	1/2.8", 2 megapixel, progressive scan CMOS	
Shutter	Auto/Manual, 1/6 ~ 1/8000 s	
Lens	2.8mm	3.6 mm
Angle of View (H)	115°	94°
Day/Night	IR-cut filter with auto switch (ICR)	
Min. Illumination	Colour: 0.02 Lux (F2.0, AGC ON) 0 Lux with IR	
S/N	≥ 52dB	
Video		
Max. Resolution	1920 × 1080	
Video Compression	H.264, MJPEG	
Frame Rate	1080P (1920 × 1080): Max. 30 fps; 720P (1280 × 720): Max. 30 fps; D1 (720 × 576): Max. 25 fps	
9:16 Corridor Mode	Supported	
ROI	Supported	
Video Streaming	Triple	
OSD	Up to 8 OSDs	
Privacy Mask	Up to 4 areas	
Storage		
Edge Storage	Micro SD, Up to 128 GB	
Network		
Protocols	L2TP, IPv4, IGMP, ICMP, ARP, TCP, UDP, DHCP, PPPoE, RTP, RTSP, DNS, DDNS, NTP, FTP, UPnP, HTTP, HTTPS, SMTP, SNMP, SIP, QoS	
Compatible Integration	ONVIF, API	
Interface		
Audio I/O	audio cable	
	Input: impedance 35 kΩ; amplitude 2 V [p-p] Output: impedance 600 Ω; amplitude 2 V [p-p]	
Built-in Mic	Supported	
Network	10M/100M Base-TX Ethernet	
General		
Power	12 V DC ±25%, PoE (IEEE 802.3af)	
	Power consumption: 3~5W	
Dimensions (Ø × H)	Φ110 × 61 mm (Ø4.3" × 2.4")	
Weight	0.25 kg (0.55 lb)	
Working Environment	-35° C ~ +60° C (-31° F ~ 140° F), Humidity ≤ 95% RH(non-condensing)	
Vandal Resistant	IK10	
Ingress Protection	IP66	

IPC314SR-DVPF28 (36)

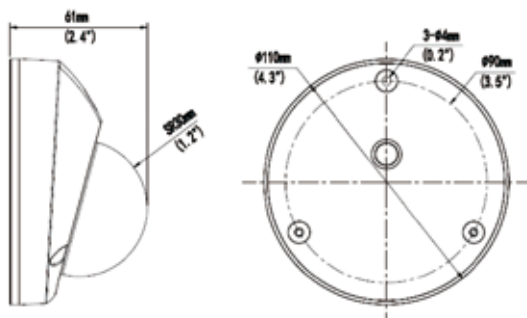
4MP Vandal-resistant IR Fixed Mini Dome Camera



Key Features

- 1/3" progressive scan CMOS
- 2560 × 1440 resolution, 25fps
- 2.8mm/3.6mm optional
- Smart IR, up to 15m IR distance
- H.265, 3D DNR, ROI, 9:16 corridor mode, ONVIF
- DC12V, PoE, wide voltage range of ±25%
- IP66, IK10

Dimensions



Accessories



TR-JB03-B-IN

Specifications

	IPC314SR-DVPF28	IPC314SR-DVPF36
Camera		
Sensor	1/3", 4 megapixel, progressive scan CMOS	
Shutter	Auto/Manual, 1/6 ~ 1/8000 s	
Lens	2.8mm	3.6 mm
Angle of View (H)	109°	85°
Day/Night	IR-cut filter with auto switch (ICR)	
Min. Illumination	Colour: 0.02 Lux (F2.0, AGC ON) 0 Lux with IR	
S/N	≥ 55 dB	
WDR	120 dB	
Video		
Max. Resolution	2592 × 1520	
Video Compression	H.265, H.264, MJPEG	
Frame Rate	4MP (2592 × 1520): Max. 20 fps; 4MP (2560 × 1440): Max. 25 fps; 3MP (2048 × 1520): Max. 30 fps; 1080P (1920 × 1080): Max. 30 fps	
9:16 Corridor Mode	Supported	
ROI	Supported	
Video Streaming	Triple	
OSD	Up to 8 OSDs	
Privacy Mask	Up to 4 areas	
Storage		
Edge Storage	Micro SD, Up to 128 GB	
Network		
Protocols	L2TP, IPv4, IGMP, ICMP, ARP, TCP, UDP, DHCP, PPPoE, RTP, RTSP, DNS, DDNS, NTP, FTP, UPnP, HTTP, HTTPS, SMTP, SNMP, SIP, QoS	
Compatible Integration	ONVIF, API	
Interface		
Audio I/O	Audio cable	
	Input: impedance 35 kΩ; amplitude 2 V [p-p]	
	Output: impedance 600 Ω; amplitude 2 V [p-p]	
Built-in Mic	Supported	
Network	10M/100M Base-TX Ethernet	
General		
Power	12 V DC ± 25%, PoE (IEEE 802.3af)	
	Power consumption: 3 ~ 5W	
Dimensions (Ø × H)	Φ110 × 61 mm (Ø4.3" × 2.4")	
Weight	0.25 kg (0.55 lb)	
Working Environment	-35° C ~ +60° C (-31° F ~ 140° F), Humidity ≤ 95% RH (non-condensing)	
Vandal Resistant	IK10	
Ingress Protection	IP66	

IPC3231ER-DV (VS)

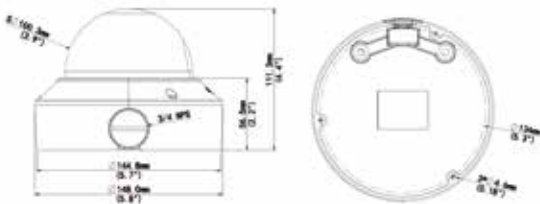
1.3MP Network IR Fixed Dome Camera



Key Features

- 1/3" progressive scan CMOS
- Up to 1280 × 960 resolution, 30fps
- 2.8 ~ 12 mm
- Smart IR, up to 30m IR distance
- H.265, 3D DNR, ROI, 9:16 corridor mode, ONVI
- DC12V, PoE, wide voltage range of ±25%
- IP66, IK10

Dimensions



Accessories



TR-FM152-A-IN



TR-WM04-IN



TR-JB07/WM04-IN



TR-UP06-IN



TR-JB04-IN

Specifications

	IPC3231ER-DV	IPC3231ER-VS
Camera		
Sensor	1/3", 1.3 megapixel, progressive scan CMOS	
Shutter	Auto/Manual, 1/6 ~ 1/8000 s	
Lens	2.8 ~ 12 mm @ F1.4; Angle of View (H): 90.0° (wide) ~ 28° (tele)	
Zoom/Focus	Manual	
Min. Illumination	Colour: 0.002 Lux (F1.4, AGC ON) 0 Lux with IR	
Day/Night	IR-cut filter with auto switch (ICR)	
IR Range	Up to 30m (98 ft) IR range	
S/N	>50dB	
WDR	120dB	Digital WDR
Video		
Max. Resolution	1280 × 960	
Video Compression	H.265, H.264, MJPEG	H.264, MJPEG
Capture Collect Mode	960P (1280 × 960): Max. 30 fps; 720P (1280 × 720): Max. 30 fps; D1 (720 × 576): Max. 25 fps	
9:16 Corridor Mode	Supported	
ROI	Supported	
Video Streaming	Triple	
OSD	Up to 8 OSDs	
Privacy Mask	Up to 4 areas	
Audio		
Audio Compression	G.711	N/A
Two-way audio	Supported	N/A
Storage		
Edge Storage	Micro SD, up to 128 GB	
Network		
Protocols	L2TP, IPv4, IGMP, ICMP, ARP, TCP, UDP, DHCP, PPPoE, RTP, RTSP, Qos, NTP, FTP, HTTP, SNMP, SIP	
Compatible Integration	ONVIF, API	
Interface		
Audio I/O	audio cable	N/A
	Input: impedance 35 kΩ; amplitude 2 V [p-p]	N/A
	Output: impedance 600 Ω; amplitude 2 V [p-p]	N/A
Alarm I/O	1 / 1	N/A
Network	1 RJ45 10M/100M Base-TX Ethernet	
Video Output	1 BNC, impedance 75 Ω; amplitude 1 V [p-p]	N/A
Reset	1 Reset Button	
Power Output	DC12V Power Output With PoE	
General		
Power	12 V DC, or PoE (IEEE802.3 af) Power consumption: max.6.6 W (PoE: max.7.2 W)	
Dimensions (Ø × H)	Φ148 × 111.3 mm (Ø5.8" × 4.4")	
Weight	0.75 kg (1.7 lb)	
Working Environment	-40° C ~ +60° C (-40° F ~ 140° F), Humidity ≤ 90%	
Vandal Resistant	RH (non-condensing)	
Ingress Protection	IP66	

IPC3232ER-DV (VS)

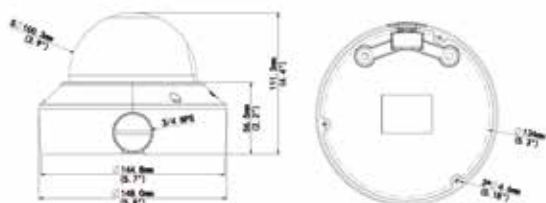
2 MP Network IR Fixed Dome Camera



Key Features

- (-DV) 1/2.8" progressive scan CMOS
- (-VS) 1/2.9" progressive scan CMOS
- Up to 1920 × 1080 resolution, 30fps
- 2.8 ~ 12 mm
- Smart IR, up to 30m IR distance
- (-DV) 120dB True WDR
- DC12V, PoE, wide voltage range of ±25%
- IP66, IK10

Dimensions



Accessories



TR-FM152-A-IN



TR-WM04-IN



TR-JB07/WM04-IN



TR-UP06-IN



TR-JB04-IN

Specifications

	IPC3232ER-DV	IPC3232ER-VS
Camera		
Sensor	1/2.8", 2 megapixel, progressive scan CMOS	1/2.9", 2 Megapixel, progressive scan CMOS
Shutter	Auto/Manual, 1/6 ~ 1/8000 s	
Lens	2.8 ~ 12 mm @ F1.4; Angle of View (H): 100.0° (wide) ~ 30° (tele)	
Zoom/Focus	Manual	
Min. Illumination	Colour: 0.03 Lux (F1.4, 50IRE) Black & White: 0.01Lux (F1.4, 50IRE)	
Day/Night	IR-cut filter with auto switch (ICR)	
IR Range	Up to 30m (98 ft) IR range	
S/N	>52dB	
WDR	Optical WDR (up to 120dB)	Digital WDR
Video		
Max. Resolution	1920 × 1080	
Video Compression	H.264, MJPEG	
Frame Rate	1080P (1920 × 1080): Max. 30 fps; 720P (1280 × 720): Max. 30 fps; D1 (720 × 576): Max. 25 fps	
9:16 Corridor Mode	Supported	
ROI	Supported	
Video Streaming	Triple	
OSD	Up to 8 OSDs	
Privacy Mask	Up to 4 areas	
Audio		
Audio Compression	G.711	N/A
Two-way audio	Supported	N/A
Storage		
Edge Storage	Micro SD, up to 128 GB	
Network		
Protocols	L2TP, IPv4, IGMP, ICMP, ARP, TCP, UDP, DHCP, PPPoE, RTP, RTSP, Qos, NTP, FTP, HTTP, SNMP, SIP	
Compatible Integration	ONVIF, API	
Interface		
Audio I/O	audio cable	N/A
	Input: impedance 35 kΩ; amplitude 2 V [p-p]	N/A
	Output: impedance 600 Ω; amplitude 2 V [p-p]	N/A
Alarm I/O	1 / 1	N/A
Network	1 RJ45 10M/100M Base-TX Ethernet	
Video Output	1 BNC, impedance 75 Ω; amplitude 1 V [p-p]	N/A
Reset	1 Reset Button	
Power Output	DC12V Power Output With PoE	
General		
Power	12 V DC, or PoE (IEEE802.3 af) Power consumption: max.6.6 W (PoE: max. 7.2 W)	
Dimensions (Ø × H)	Φ148 × 111.3 mm (Ø5.8" × 4.4")	
Weight	0.75 kg (1.7 lb)	
Working Environment	-40° C ~ +60° C (-40° F ~ 140° F), Humidity ≤ 90% RH (non-condensing)	
Vandal Resistant	IK10	
Ingress Protection	IP66	

IPC3234SR-DV

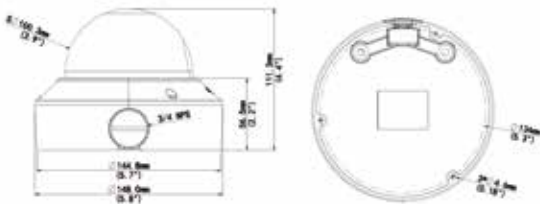
4MP WDR Network IR Fixed Dome Camera



Key Features

- 1/3" progressive scan CMOS
- Up to 2560 × 1440 resolution, 25fps
- 2.8 ~ 12 mm
- Smart IR, up to 30m IR distance
- H.265, 3D DNR, ROI, 9:16 corridor mode, ONVIF
- DC12V, PoE, wide voltage range of ±25%
- IP66, IK10

Dimensions



Accessories



TR-FM152-A-IN



TR-WM04-IN



TR-JB07/WM04-IN



TR-UP06-IN



TR-JB04-IN

Specifications

IPC3234SR-DV	
Camera	
Sensor	1/3", 4.0 megapixel, progressive scan CMOS
Shutter	Auto/Manual, 1/6 ~ 1/8000 s
Lens	2.8 ~ 12 mm @ F1.6; Angle of View (H): 95° (wide) ~ 29° (tele)
Zoom/Focus	Manual
Min. Illumination	Colour: 0.02 Lux (F1.6, AGC ON) 0 Lux with IR on
Day/Night	IR-cut filter with auto switch (ICR)
IR Range	Up to 30m (98 ft) IR range
S/N	>55dB
WDR	Optical WDR (up to 120 dB)
Video	
Max. Resolution	2592 × 1520
Video Compression	H.265, H.264, MJPEG
Frame Rate	4MP (2592 × 1520): Max. 20 fps; 4MP (2560 × 1440): Max. 25 fps; 3MP (2048 × 1520): Max. 30 fps; 1080P (1920 × 1080): Max. 30 fps
9:16 Corridor Mode	Supported
ROI	Supported
Video Streaming	Triple
OSD	Up to 8 OSDs
Privacy Mask	Up to 4 areas
Audio	
Audio Compression	G.711
Two-way audio	Supported
Storage	
Edge Storage	Micro SD, up to 128 GB
Network	
Protocols	L2TP, IPv4, IGMP, ICMP, ARP, TCP, UDP, DHCP, PPPoE, RTP, RTSP, Qos, NTP, FTP, HTTP, SNMP, SIP
Compatible Integration	ONVIF, API
Interface	
Audio I/O	Audio cable Input: impedance 35 kΩ; amplitude 2 V [p-p] Output: impedance 600 Ω; amplitude 2 V [p-p]
Alarm I/O	1 / 1
Network	1 RJ45 10M/100M Base-TX Ethernet
Video Output	1 BNC, impedance 75 Ω; amplitude 1 V [p-p]
Reset	1 Reset Button
Power Output	DC12V Power Output With PoE
General	
Power	12 V DC, or PoE (IEEE802.3 af) Power consumption: Max. 6.6 W (PoE: Max. 7.2 W)
Dimensions (Ø × H)	Φ148 × 111.3mm (Ø5.8" × 4.4")
Weight	0.75 kg (1.7 lb)
Working Environment	-40° C ~ +60° C (-40° F ~ 140° F), Humidity ≤ 90% RH (non-condensing)
Vandal Resistant	IK10
Ingress Protection	IP66

IPC3232ER3-DVZ28

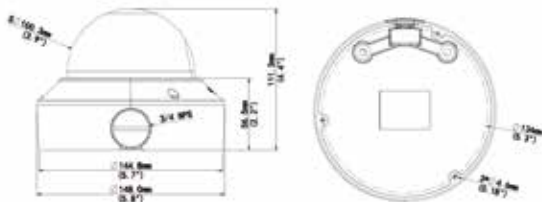
2MP WDR (Motorized) VF Vandal-resistant Network IR Fixed Dome Camera



Key Features

- 1/3" progressive scan CMOS
- Up to 1920 × 1080 resolution, 30fps
- Smart IR, up to 30m IR distance
- Built-in 2.8 ~ 12mm motorized lens
- H.265, 3D DNR, ROI, Corridor Mode, ONVIF
- DC12V, PoE, wide voltage range of ±25%
- IP66, IK10

Dimensions



Accessories



TR-FM152-A-IN



TR-WM04-IN



TR-JB07/WM04-IN



TR-UP06-IN



TR-JB04-IN

Specifications

IPC3232ER3-DVZ28	
Camera	
Sensor	1/3", 2.0 megapixel, progressive scan CMOS
Shutter	Auto/Manual, 1/6 ~ 1/8000 s
Lens	2.8 ~ 12 mm @ F1.6; Angle of View (H): 90° (wide) ~ 28° (tele)
Zoom/Focus	Motor drive
Min. Illumination	Colour: 0.02 Lux (F1.6, AGC ON) 0 Lux with IR
Day/Night	IR-cut filter with auto switch (ICR)
IR Range	Up to 30m (98 ft) IR range
S/N	>52dB
WDR	Optical WDR (up to 120 dB)
Video	
Max. Resolution	1920 × 1080
Video Compression	H.265, H.264, MJPEG
Capture Collect Mode	1080P (1920 × 1080) @ 30 fps; 1080P (1920 × 1080) @ 25fps
9:16 Corridor Mode	Supported
ROI	Supported
Video Streaming	Triple
OSD	Up to 8 OSDs
Privacy Mask	Supported
Audio	
Audio Compression	G.711
Two-way audio	Supported
Storage	
Edge Storage	Micro SD, up to 128 GB
Network	
Protocols	L2TP, IPv4, IGMP, ICMP, ARP, TCP, UDP, DHCP, PPPoE, RTP, RTSP, DNS, DDNS, NTP, FTP, UPnP, HTTP, HTTPS, FTP, SMTP, SNMP, SIP, QoS
Compatible Integration	ONVIF, API
Interface	
Audio I/O	Audio cable Input: impedance 35 kΩ; amplitude 2 V [p-p] Output: impedance 600 Ω; amplitude 2 V [p-p]
Alarm I/O	1 / 1
Network	1 RJ45 10M/100M Base-TX Ethernet
Video Output	1 BNC, impedance 75 Ω; amplitude 1 V [p-p]
Reset	1 Reset Button
Power Output	DC12V Power Output With PoE
General	
Power	12 V DC, or PoE (IEEE802.3 af) Power consumption: Max.6.6 W (PoE: Max. 7.2 W)
Dimensions (Ø × H)	Φ148 × 111.3 mm (Ø5.8" × 4.4")
Weight	0.75 kg (1.7 lb)
Working Environment	-40° C ~ +60° C (-40° F ~ 140° F), Humidity ≤ 95% RH (non-condensing)
Vandal Resistant	IK10
Ingress Protection	IP66

IPC3234SR3-DVZ28

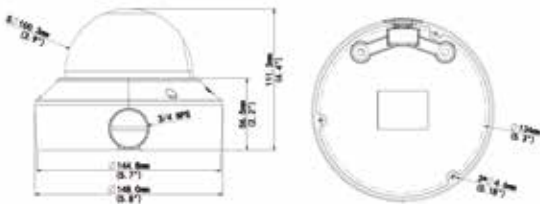
4MP WDR (Motorized) VF Vandal-resistant Network IR Fixed Dome Camera



Key Features

- 1/3" progressive scan CMOS
- 2560 × 1440 resolution, 25fps
- 2.8 ~ 12 mm
- Smart IR, up to 30m IR distance
- H.265, 3D DNR, ROI, 9:16 corridor mode, ONVIF
- DC12V, PoE, wide voltage range of ±25%
- IP66, IK10

Dimensions



Accessories



TR-FM152-A-IN



TR-WM04-IN



TR-JB07/WM04-IN



TR-UP06-IN



TR-JB04-IN

Specifications

IPC3234SR3-DVZ28	
Camera	
Sensor	1/3", 4.0 megapixel, progressive scan CMOS
Shutter	Auto/Manual, 1/6 ~ 1/8000 s
Lens	2.8 ~ 12 mm @ F1.6; Angle of View (H): 95° (wide) ~ 29° (tele)
Zoom/Focus	Motor drive
Min. Illumination	Colour: 0.02 Lux (F1.6, AGC ON) 0 Lux with IR
Day/Night	IR-cut filter with auto switch (ICR)
IR Range	Up to 30m (98 ft) IR range
S/N	>55dB
WDR	Optical WDR (up to 120dB)
Video	
Max. Resolution	2592 × 1520
Video Compression	H.265, H.264, MJPEG
Capture Collect Mode	4MP (2592 × 1520): Max. 20 fps; 4MP (2560 × 1440): Max. 25 fps; 3MP (2048 × 1520): Max. 30 fps; 1080P (1920 × 1080): Max. 25 fps
9:16 Corridor Mode	Supported
ROI	Supported
Video Streaming	Triple
OSD	Up to 8 OSDs
Privacy Mask	Up to 4 areas
Audio	
Audio Compression	G.711
Two-way audio	Supported
Storage	
Edge Storage	Micro SD, up to 128 GB
Network	
Protocols	L2TP, IPv4, IGMP, ICMP, ARP, TCP, UDP, DHCP, PPPoE, RTP, RTSP, NTP, FTP, HTTP, SNMP, SIP
Compatible Integration	ONVIF, API
Interface	
Audio I/O	Audio cable Input: impedance 35 kΩ; amplitude 2 V [p-p] Output: impedance 600 Ω; amplitude 2 V [p-p]
Alarm I/O	1 / 1
Network	1 RJ45 10M/100M Base-TX Ethernet
Video Output	1 BNC, impedance 75 Ω; amplitude 1 V [p-p]
Reset	1 Reset Button
Power Output	DC12V Power Output With PoE
General	
Power	12 V DC, or PoE (IEEE802.3 af) Power consumption: Max. 6.6 W (PoE: Max. 7.2 W)
Dimensions (Ø × H)	Φ148 × 111.3 mm (Ø5.8" × 4.4")
Weight	0.75 kg (1.7 lb)
Working Environment	-40° C ~ +60° C (-40° F ~ 140° F), Humidity ≤ 95% RH (non-condensing)
Vandal Resistant	IK10
Ingress Protection	IP66

IPC3232ER3-DUV

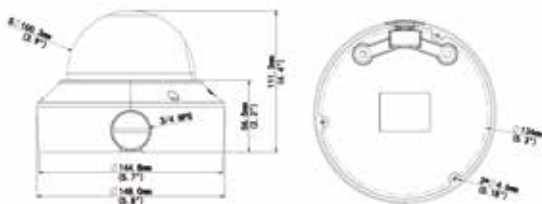
2MP WDR Starlight Vandal-resistant Network IR Fixed Dome Camera



Key Features

- 1/2.8" progressive scan CMOS
- Up to 1920 × 1080 resolution, 30fps
- 2.8 ~ 12 mm
- Smart IR, up to 30m IR distance
- 3D DNR, ROI, 9:16 corridor mode, ONVIF
- DC12V, PoE, wide voltage range of ±25%
- IP66, K10

Dimensions



Accessories



TR-FM152-A-IN



TR-WM04-IN



TR-JB07/WM04-IN



TR-UP06-IN



TR-JB04-IN

Specifications

IPC3232ER3-DUV	
Camera	
Sensor	1/2.8", 2.0 megapixel, progressive scan CMOS
Shutter	Auto/Manual, 1/6 ~ 1/8000 s
Lens	2.8 ~ 12 mm @ F1.4; Angle of View (H): 105.0° (wide) ~28° (tele)
Zoom/Focus	Manual
Min. Illumination	Colour: 0.002 Lux (F1.4, AGC ON) 0Lux with IR
Day/Night	IR-cut filter with auto switch (ICR)
IR Range	Up to 30m (98 ft) IR range
S/N	>52dB
WDR	Optical WDR (up to 120dB)
Video	
Max. Resolution	1920 × 1080
Video Compression	H.265,H.264,MJPEG
Capture Collect Mode	1080P (1920 × 1080): Max. 30 fps; 720P (1280 × 720): Max. 30 fps; D1 (720 × 576): Max. 25 fps
9:16 Corridor Mode	Supported
ROI	Supported
Video Streaming	Triple
OSD	Up to 8 OSDs
Privacy Mask	Up to 4 areas
Audio	
Audio Compression	G.711
Two-way audio	Supported
Storage	
Edge Storage	Micro SD, up to 128 GB
Network	
Protocols	L2TP, IPv4, IGMP, ICMP, ARP, TCP, UDP, DHCP, PPPoE, RTP, RTSP, DNS, DDNS, NTP, FTP, UPnP, HTTP, HTTPS, FTP, SMTP, SNMP, SIP, QoS
Compatible Integration	ONVIF, API
Interface	
Audio I/O	audio cable Input: impedance 35 kΩ; amplitude 2 V [p-p] Output: impedance 600 Ω; amplitude 2 V [p-p]
Alarm I/O	1/ 1
Network	10M/100M Base-TX Ethernet
Video Output	1 BNC, impedance 75 Ω; amplitude 1 V [p-p]
Reset	1 Reset Button
Power Output	DC12V Power Output With PoE
General	
Power	12 V DC, or PoE (IEEE802.3 af) max.6.6 W (PoE: max. 7.2 W)
Dimensions (Ø × H)	Φ148 × 111.3 mm (Ø5.8" × 4.4")
Weight	0.75 kg (1.7 lb)
Working Environment	-40° C ~ +60° C (-40° F ~ 140° F), Humidity ≤ 95% RH (non-condensing)
Vandal Resistant	IK10
Ingress Protection	IP66

IPC3232ER3-DUVZ

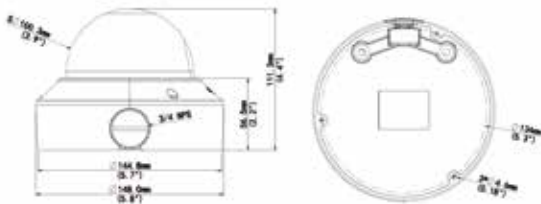
2MP WDR Starlight Vandal-resistant Network IR Fixed Dome Camera



Key Features

- 1/2.8" progressive scan CMOS
- Up to 1920 × 1080 resolution, 30fps
- 2.8 ~ 12 mm
- Smart IR, up to 30m IR distance
- 3D DNR, ROI, 9:16 corridor mode, ONVIF
- DC12V, PoE, wide voltage range of ±25%
- IP66, IK10

Dimensions



Accessories



TR-FM152-A-IN



TR-WM04-IN



TR-JB07/WM04-IN



TR-UP06-IN



TR-JB04-IN

Specifications

	IPC3232ER3-DUVZ
Camera	
Sensor	1/2.8", 2.0 megapixel, progressive scan CMOS
Shutter	Auto/Manual, 1/6 ~ 1/8000 s
Lens	2.8 ~ 12 mm @ F1.4; Angle of View (H): 105.0° (wide) ~ 30° (tele)
Zoom/Focus	4X Optical Zoom / Auto Focus
Min. Illumination	Colour: 0.002 Lux (F1.4, AGC ON) 0Lux with IR
Day/Night	IR-cut filter with auto switch (ICR)
IR Range	Up to 30m (98 ft) IR range
S/N	>52dB
WDR	Optical WDR (up to 120dB)
Video	
Max. Resolution	1920 × 1080
Video Compression	H.265, H.264, MJPEG
Capture Collect Mode	1080P (1920 × 1080): Max. 30 fps; 720P (1280 × 720): Max. 30 fps; D1 (720 × 576): Max. 25 fps
9:16 Corridor Mode	Supported
ROI	Supported
Video Streaming	Triple
OSD	Up to 8 OSDs
Privacy Mask	Up to 4 areas
Audio	
Audio Compression	G.711
Two-way audio	Supported
Storage	
Edge Storage	Micro SD, up to 128 GB
Network	
Protocols	L2TP, IPv4, IGMP, ICMP, ARP, TCP, UDP, DHCP, PPPoE, RTP, RTSP, DNS, DDNS, NTP, FTP, UPnP, HTTP, HTTPS, SMTP, SNMP, SIP, QoS
Compatible Integration	ONVIF, API
Interface	
Audio I/O	Audio cable Input: impedance 35 kΩ; amplitude 2 V [p-p] Output: impedance 600 Ω; amplitude 2 V [p-p]
Alarm I/O	1 / 1
Network	1 RJ45 10M/100M Base-TX Ethernet
Video Output	1 BNC, impedance 75 Ω; amplitude 1 V [p-p]
Reset	1 Reset Button
Power Output	DC12V Power Output With PoE
General	
Power	12 V DC, or PoE (IEEE802.3 af) Power consumption: Max. 7.6 W (PoE: Max. 8.2 W)
Dimensions (Ø × H)	Φ148 × 111.3 mm (Ø5.8" × 4.4")
Weight	0.75 kg (1.7 lb)
Working Environment	-40° C ~ +60° C (-40° F ~ 140° F), Humidity ≤ 95% RH (non-condensing)
Vandal Resistant	IK10
Ingress Protection	IP66

IPC868ER-VF18

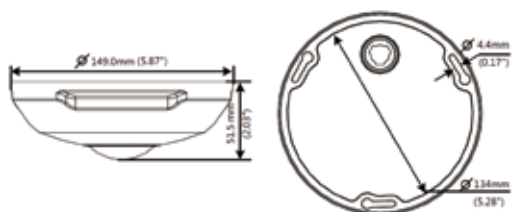
4K Ultra HD Vandal-resistant Fisheye Fixed Dome Camera



Key Features

- 1/1.7" progressive scan CMOS
- 4K, max. 4000 × 3000 resolution
- Fisheye, panoramic and PTZ view
- Smart IR, up to 20m IR distance
- 3D DNR, ROI, ONVIF
- DC12V, PoE, wide voltage range of ±25%
- IP66, IK10

Dimensions



Accessories



TR-UM06-C



TR-JB04-A-IN



TR-UF45-F-IN



TR-CE45-IN



TR-WM04-IN



TR-UP06-IN

Specifications

IPC868ER-VF18	
Camera	
Image sensor	1/1.7", 12 megapixel, progressive scan, CMOS
Focal Length	1.8mm
Aperture	F1.6
Shutter	Auto/Manual, shutter time: 1/6 s ~ 1/8000 s
Minimum Illumination	Colour: 0.06 Lux (F1.6, AGC ON) 0 Lux with IR
S / N Ratio	>55dB
Day / Night	IR-cut filter for day & night function
WDR	Digital WDR
Video	
Compression	H.264
Frame Rate	12MP (4000 × 3000): Max. 20fps; 4K (3008 × 3000): Max. 25fps
ROI (Region of Interest)	Supported
Maximum Streams	Sextuple streams (1 fisheye view, 1 panoramic view, 4 PTZ view)
OSD	Up to 8 OSD
Privacy Mask	Supported
Audio	
Audio Compression	G.711
Two-way audio	Supported
Storage	
Edge Storage	Micro SD, up to 128GB
Network	
Protocols	L2TP, IPv4, IGMP, ICMP, ARP, TCP, UDP, DHCP, PPPoE, RTP, RTSP, DNS, DDNS, NTP, FTP, UPnP, HTTP, HTTPS, SMTP, SNMP, SIP, QoS
Compatible Integration	ONVIF, API
Interface	
Audio I/O	Audio interface Input: impedance 35 kΩ; amplitude 2 V [p-p] Output: impedance 600 Ω; amplitude 2 V [p-p] 1 built-in Microphone & 1 built-in Speaker
Alarm I/O	2 / 1 Multiple Alarm linkage editable
Serial	1 channel RS485 interface
Network	10M/100M Base-TX Auto-adaptive Ethernet
Video Output	1 BNC, impedance 75 Ω; amplitude 1 V [p-p]
General	
Power	DC12V ±25%, PoE (IEEE802.3at) Power consumption: Max. 21 W
Dimensions (Ø × H)	Φ149mm × 51.5mm (Φ5.87" × 2.03")
Weight	0.5kg (1.1lb)
Working Environment	-30°C ~ 60°C (-22° F ~ 140° F), Humidity ≤ 95% RH
Vandal Resistant	IK10
Ingress Protection	IP66

IPC6221ER-X20 (P)

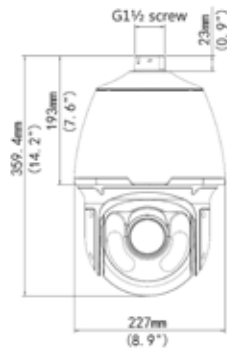
1.3MP 20x IR Network PTZ Dome Camera



Key Features

- 1/3" progressive scan CMOS
- Up to 1280 × 960 resolution, 30fps
- 20x optical zoom (4.7 ~ 94mm)
- Smart IR, up to 100m IR distance
- Alarm I/O, Audio I/O, ONVIF
- All-weather design, Water&Dust Repellence
- AC24V, 9 ~ 42W
- IK10, IP66, -40° C ~ +65° C
- (-P) PoE

Dimensions



Accessories



Specifications

	IPC6221ER-X20	IPC6221ER-X20P
Camera		
Sensor	1/3", 1.3 megapixel, progressive scan, CMOS	
Lens	4.7 ~ 94 mm (20x optical zoom)	
Angle of View (H)	59.7° (wide) ~ 3.8° (tele)	
Iris	Auto/Manual; F1.6 ~ F3.3	
Shutter	Auto/Manual; shutter time: 1/6 s ~ 1/8000 s	
Minimum Illumination	Color: 0.03 lux (F1.6, 50IRE) B/W: 0.01 lux (F1.6, 50IRE)	
S/N	>50dB	
Day/Night	IR-cut filter with auto switch (ICR)	
Video		
Max. Resolution	1280 × 960	
Video Compression	H.264, MJPEG	
Frame Rate	960P (1280 × 960): Max. 30 fps; 720P (1280 × 720): Max. 30 fps; D1 (720 × 576): Max. 25 fps	
Video Streaming	Triple	
OSD	Up to 8 OSDs	
Privacy Mask	Up to 8 areas	
Digital Zoom	Supported	
Audio		
Audio Compression	G.711	
Two-way Audio	Supported	
Storage		
Edge Storage	SD, up to 128 GB	
Network		
Protocols	L2TP, IPv4, IGMP, ICMP, ARP, TCP, UDP, DHCP, PPPoE, RTP, RTSP, NTP, FTP, HTTP, SNMP, SIP	
Compatible Integration	ONVIF, API	
Pan & Tilt		
Pan Range	360° (endless)	
Pan Speed	0.1° /s ~ 240° /s Preset speed: 300° /s	
Tilt Range	-15° ~ +90° (auto reverse)	
Tilt Speed	0.1° /s ~ 160° /s Preset speed: 240° /s	
Number of Preset	255	
Patrol	Up to 16 patrols, up to 32 presets per patrol Note: The total number of patrols and patterns is 16.	
Pattern	Up to 16 patterns, with the total recording time not less 15 minutes per pattern	
Interface		
Audio I/O	Audio cable Input: impedance 35 kΩ; amplitude 2 V [p-p] Output: impedance 600 Ω; amplitude 2 V [p-p]	
Alarm I/O	1 / 1	
Network	10M/100M Base-TX Ethernet	
General		
Power	24 V AC, 24 V DC	24 V AC, 24 V DC, PoE
Power consumption	9 ~ 42W (IR: 16W, heater: Max. 24 W)	
Dimensions (Ø × H)	Ø227 × 359.4 mm (Ø8.9" × 14.2")	
Weight	5.28 kg (11.6 lb)	
Working Environment	-40° C ~ +65° C (-40° F ~ 149° F), Humidity ≤ 90% RH (non-condensing)	
Vandal Resistant	IK10	
Ingress Protection	IP66	

IPC6221LR-X20S (P)

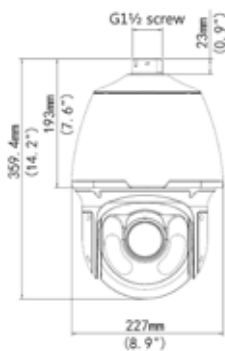
1.3MP 20x IR Network PTZ Dome Camera



Key Features

- 1/3" progressive scan CMOS
- Up to 1280 × 960 resolution, 30fps
- 20x optical zoom (4.7 ~ 94mm)
- Smart IR, up to 100m IR distance
- ONVIF
- All-weather design, IP66, -40° C ~ +65° C
- AC24V, DC24V, 9 ~ 42W
- (-P) PoE

Dimensions



Accessories



Specifications

	IPC6221LR-X20S	IPC6221LR-X20SP
Camera		
Sensor	1/3", 1.3 megapixel, progressive scan, CMOS	
Lens	4.7 ~ 94 mm (20x optical zoom)	
Angle of View (H)	59.7° (wide) ~ 3.8° (tele)	
Iris	Auto/Manual; F1.6 ~ F3.3	
Shutter	Auto/Manual; shutter time: 1/15 s ~ 1/10000 s	
Minimum Illumination	Color: 0.03 lux (F1.6, 50IRE) B/W: 0.01 lux (F1.6, 50IRE)	
S/N	>50dB	
Day/Night	IR-cut filter with auto switch (ICR)	
Video		
Max. Resolution	1280 × 960	
Video Compression	H.264, MJPEG	
Frame Rate	960P (1280 × 960): Max. 30 fps; 720P (1280 × 720): Max. 30 fps; D1 (720 × 576): Max. 25 fps	
Video Streaming	Triple	
OSD	Up to 8 OSDs	
Privacy Mask	Up to 8 areas	
Digital Zoom	Supported	
Network		
Protocols	L2TP, IPv4, IGMP, ICMP, ARP, TCP, UDP, DHCP, PPPoE, RTP, RTSP, NTP, FTP, HTTP, SNMP, SIP	
Compatible Integration	ONVIF, API	
Pan & Tilt		
Pan Range	360° (endless)	
Pan Speed	0.1° /s ~ 240° /s Preset speed: 300° /s	
Tilt Range	-15° ~ +90° (auto reverse)	
Tilt Speed	0.1° /s ~ 160° /s Preset speed: 240° /s	
Number of Preset	256	
Patrol	Up to 16 patrols, up to 32 presets per patrol Note: The total number of patrols and patterns is 16.	
Pattern	Up to 16 patterns, with the total recording time not less 15 minutes per pattern	
Interface		
Network	10M/100M Base-TX Ethernet	
General		
Power	24 V AC, 24 V DC	24 V AC, 24 V DC, PoE
	Power consumption: 9 ~ 42W (IR: 16W, heater: Max. 24 W)	
Dimensions (Ø × H)	Ø227 × 359.4 mm (Ø8.9" × 14.2")	
Weight	5.28 kg (11.6 lb)	
Working Environment	-40° C ~ +65° C (-40° F ~ 149° F), Humidity ≤ 90% RH (non-condensing)	
Ingress Protection	IP66	

IPC6221ER-X30 (P)

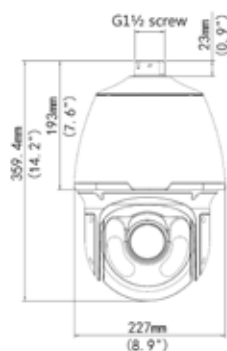
1.3MP 30x IR Network PTZ Dome Camera



Key Features

- 1/3" progressive scan CMOS
- Up to 1280 × 960 resolution, 30fps
- 30x optical zoom (4.5 ~ 135mm)
- AC24V, 9 ~ 42W(heater: Max. 24W)
- IP66, -40° C ~ +70° C
- (-P) PoE

Dimensions



Accessories



TR-UF45-A-IN



TR-CE45-IN



TR-SE45-IN



TR-SE45-A-IN



TR-WE45-A-IN



TR-JB12-IN



TR-UP08-A-IN
(Steel)



TR-UC08-A-IN
(Steel)

Specifications

	IPC6221ER-X30	IPC6221ER-X30P
Camera		
Sensor	1/3", 1.3 megapixel, progressive scan, CMOS	
Lens	4.5 ~ 135 mm (30x optical zoom)	
Angle of View (H)	61.5° (wide) ~ 2.1° (tele)	
Iris	Auto/Manual; F1.6 ~ F4.8	
Shutter	Auto/Manual; shutter time: 1/6 s ~ 1/8000 s	
Minimum Illumination	Color: 0.03 lux (F1.6, 50IRE) B/W: 0.01 lux (F1.6, 50IRE)	
S/N	>50dB	
Day/Night	IR-cut filter with auto switch (ICR)	
Video		
Max. Resolution	1280 × 960	
Video Compression	H.264, MJPEG	
Frame Rate	960P (1280 × 960) 30 fps; 720P (1280 × 720) 30 fps; D1 (720 × 576) 25 fps	
Video Streaming	Triple	
OSD	Up to 8 OSDs	
Privacy Mask	Up to 8 areas	
Digital Zoom	Supported	
Audio		
Audio Compression	G.711	
Two-way audio	Supported	
Storage		
Edge Storage	Micro SD, up to 128 GB	
Network		
Protocols	L2TP, IPv4, IGMP, ICMP, ARP, TCP, UDP, DHCP, PPPoE, RTP, RTSP, NTP, FTP, HTTP, SNMP, SIP	
Compatible Integration	ONVIF, API	
Pan & Tilt		
Pan Range	360° (endless)	
Pan Speed	0.1° /s ~ 240° /s Preset speed: 300° /s	
Tilt Range	-15° ~ +90° (auto reverse)	
Tilt Speed	0.1° /s ~ 160° /s Preset speed: 240° /s	
Number of Preset	255	
Patrol	Up to 16 patrols, up to 32 presets per patrol Note: The total number of patrols and patterns is 16.	
Pattern	Up to 16 patterns, with the total recording time not less 15 minutes per pattern	
Interface		
Audio I/O	Audio cable Input: impedance 35 kΩ; amplitude 2 V [p-p] Output: impedance 600 Ω; amplitude 2 V [p-p]	
Alarm I/O	1 / 1	
Network	1 RJ45 10M/100M Base-TX Ethernet	
General		
Power	24 V AC, 24 V DC	24 V AC, 24 V DC, PoE
	Power consumption: 9 ~ 42W (IR: 16W, heater: Max. 24 W)	
Dimensions (Ø × H)	Ø227 × 359.4 mm (Ø8.9" × 14.2")	
Weight	5.28 kg (11.6 lb)	
Working Environment	-40° C ~ +65° C (-40° F ~ 149° F), Humidity ≤ 90% RH (non-condensing)	
Ingress Protection	IP66	

IPC6222ER-X20 (P)

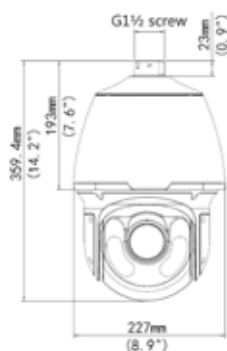
2MP 20x IR Network PTZ Dome Camera



Key Features

- 1/2.8" progressive scan CMOS
- Up to 1920 × 1080 resolution, 30fps
- 20x optical zoom (4.7 ~ 94mm)
- Smart IR, up to 100m IR distance
- Alarm I/O, Audio I/O, ONVIF
- All-weather design, Water&Dust Repellence
- AC24V, 9 ~ 42W
- IP66, -40° C ~ +65° C
- (-P) PoE

Dimensions



Accessories



Specifications

	IPC6222ER-X20	IPC6222ER-X20P
Camera		
Sensor	1/2.8", 2 megapixel, progressive scan, CMOS	
Lens	4.7 ~ 94 mm (20 x optical zoom)	
Angle of View (H)	61.9° (wide) ~ 3.5° (tele)	
Iris	Auto/Manual; F1.6 ~ F3.3	
Shutter	Auto/Manual; shutter time: 1/6 s ~ 1/8000 s	
Minimum Illumination	Color: 0.03 lux (F1.6, 50IRE) B/W: 0.01 lux (F1.6, 50IRE)	
S/N	>52dB	
Day/Night	IR-cut filter with auto switch (ICR)	
Video		
Max. Resolution	1920 × 1080	
Video Compression	H.264, MJPEG	
Frame Rate	1080P (1920 × 1080): Max. 30 fps; 720P (1280 × 720): Max. 30 fps; D1 (720 × 576): Max. 25 fps	
Video Streaming	Triple	
OSD	Up to 8 OSDs	
Privacy Mask	Up to 8 areas	
Digital Zoom	Supported	
Audio		
Audio Compression	G.711	
Two-way audio	Supported	
Storage		
Edge Storage	SD, up to 128 GB	
Network		
Protocols	L2TP, IPv4, IGMP, ICMP, ARP, TCP, UDP, DHCP, PPPoE, RTP, RTSP, NTP, FTP, HTTP, SNMP, SIP	
Compatible Integration	ONVIF, API	
Pan & Tilt		
Pan Range	360° (endless)	
Pan Speed	0.1° /s ~ 240° /s Preset speed: 300° /s	
Tilt Range	-15° ~ +90° (auto reverse)	
Tilt Speed	0.1° /s ~ 160° /s Preset speed: 240° /s	
Number of Preset	255	
Patrol	Up to 16 patrols, up to 32 presets per patrol Note: The total number of patrols and patterns is 16.	
Pattern	Up to 16 patterns, with the total recording time not less 15 minutes per pattern	
Interface		
Audio I/O	Audio cable Input: impedance 35 kΩ; amplitude 2 V [p-p] Output: impedance 600 Ω; amplitude 2 V [p-p]	
Alarm I/O	1 / 1	
Network	10M/100M Base-TX Ethernet	
General		
Power	24 V AC, 24 V DC	24 V AC, 24 V DC, PoE
	Power consumption: 9 ~ 42W (IR: 16W, heater: Max. 24 W)	
Dimensions (Ø × H)	Ø227 × 359.4 mm (Ø8.9" × 14.2")	
Weight	5.28 kg (11.6 lb)	
Working Environment	-40° C ~ +65° C (-40° F ~ 149° F), Humidity ≤ 90% RH (non-condensing)	
Ingress Protection	IP66	

IPC6222ER-X30 (P)

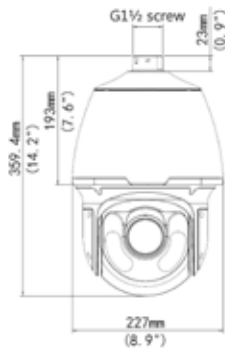
2MP 30x IR Network PTZ Dome Camera



Key Features

- 1/2.8" progressive scan CMOS
- Up to 1920 × 1080 resolution, 30fps
- 30x optical zoom (4.5 ~ 135mm)
- AC24V, 9 ~ 42W(heater: Max. 24W)
- IP66, -40° C ~ +70° C
- (-P) PoE

Dimensions



Accessories



Specifications

	IPC6222ER-X30	IPC6222ER-X30P
Camera		
Sensor	1/2.8", 2 megapixel, progressive scan, CMOS	
Lens	4.5 ~ 135 mm (30x optical zoom)	
Angle of View (H)	62.9° (wide) ~ 2.3° (tele)	
Iris	Auto/Manual; F1.6 ~ F4.8	
Shutter	Auto/Manual; shutter time: 1/6 s ~ 1/8000 s	
Minimum Illumination	Color: 0.03 lux (F1.6, 50IRE) B/W: 0.01 lux (F1.6, 50IRE)	
S/N	>52dB	
Day/Night	IR-cut filter with auto switch (ICR)	
Video		
Max. Resolution	1920 × 1080	
Video Compression	H.264, MJPEG	
Frame Rate	1080P (1920 × 1080): Max. 30 fps; 720P (1280 × 720): Max. 30 fps; D1 (720 × 576): Max. 25 fps	
Video Streaming	Triple	
OSD	Up to 8 OSDs	
Privacy Mask	Up to 8 areas	
Digital Zoom	Supported	
Audio		
Audio Compression	G.711	
Two-way audio	Supported	
Storage		
Edge Storage	Micro SD, up to 128 GB	
Network		
Protocols	L2TP, IPv4, IGMP, ICMP, ARP, TCP, UDP, DHCP, PPPoE, RTP, RTSP, NTP, FTP, HTTP, SNMP, SIP	
Compatible Integration	ONVIF, API	
Pan & Tilt		
Pan Range	360° (endless)	
Pan Speed	0.1° /s ~ 240° /s Preset speed: 300° /s	
Tilt Range	-15° ~ +90° (auto reverse)	
Tilt Speed	0.1° /s ~ 160° /s Preset speed: 240° /s	
Number of Preset	255	
Patrol	Up to 16 patrols, up to 32 presets per patrol Note: The total number of patrols and patterns is 16.	
Pattern	Up to 16 patterns, with the total recording time not less 15 minutes per pattern	
Interface		
Audio I/O	Audio cable Input: impedance 35 kΩ; amplitude 2 V [p-p] Output: impedance 600 Ω; amplitude 2 V [p-p]	
Alarm I/O	1 / 1	
Network	1 RJ45 10M/100M Base-TX Ethernet	
General		
Power	24 V AC, 24 V DC	24 V AC, 24 V DC, PoE
	Power consumption: 9 ~ 42W (IR: 16W, heater: Max. 24 W)	
Dimensions (Ø × H)	Ø227 × 359.4 mm (Ø8.9" × 14.2")	
Weight	5.28 kg (11.6 lb)	
Working Environment	-40° C ~ +65° C (-40° F ~ 149° F), Humidity ≤ 90% RH (non-condensing)	
Ingress Protection	IP66	

IPC642E-X22I-IN

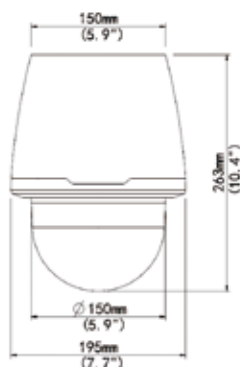
2MP 22x Indoor Network PTZ Dome Camera



Key Features

- 1/2.8" progressive scan CMOS
- Up to 1920 × 1080 resolution, 30fps
- 22x optical zoom (4.7 ~ 103mm)
- AC24V, 9~13W
- 20° C ~ +50° C

Dimensions



Accessories



TR-UF45-C-IN

TR-CE45-IN

TR-WE45-IN

TR-FM200-IN

Specifications

IPC642E-X22I-IN	
Camera	
Sensor	1/2.8", 2 megapixel, progressive scan, low illumination CMOS
Lens	4.7 ~ 103 mm (22x optical zoom)
Angle of View (H)	59.7° (wide) ~ 3.4° (tele)
Iris	Auto/Manual; F1.6 ~ F3.2
Shutter	Auto/Manual; shutter time: 1/6 s ~ 1/8000 s
Min. Illumination	Colour: 0.03 lux (F1.6, 50IRE) B/W: 0.01 lux (F1.6, 50IRE)
S/N	>52dB
Day/Night	IR-cut filter with auto switch (ICR)
Video	
Max. Resolution	1920 × 1080
Video Compression	H.264, MJPEG
Frame Rate	1080P (1920 × 1080): Max. 30 fps; 720P (1280 × 720): Max. 30 fps; D1 (720 × 576): Max. 25 fps
Video Streaming	Triple
OSD	Up to 8 OSDs
Privacy Mask	Up to 8 areas
Digital Zoom	Supported
Audio	
Audio Compression	G.711
Two-way audio	Supported
Storage	
Edge Storage	SD, up to 128 GB
Network	
Protocols	L2TP, IPv4, IGMP, ICMP, ARP, TCP, UDP, DHCP, PPPoE, RTP, RTSP, NTP, FTP, HTTP, SNMP, SIP
Compatible Integration	ONVIF, API
Pan & Tilt	
Pan Range	360° (endless)
Pan Speed	0.1° /s ~ 400° /s Preset speed: 540° /s
Tilt Range	-1° ~ +90° (auto reverse)
Tilt Speed	0.1° /s ~ 240° /s Preset speed: 400° /s
Number of Preset	255
Patrol	Up to 16 patrols, up to 32 presets per patrol Note: The total number of patrols and patterns is 16.
Pattern	Up to 16 patterns, with the total recording time not less 15 minutes per pattern
Interface	
Audio I/O	audio cable Input: impedance 35 kΩ; amplitude 2 V [p-p] Output: impedance 600 Ω; amplitude 2 V [p-p]
Alarm I/O	2 / 1
Serial Port	1 RS485
Network	1 RJ45 10M/100M Base-TX Ethernet
Video Output	1 BNC, impedance 75 Ω; amplitude 1 V [p-p]
General	
Power	24 V AC, 24 V DC, or PoE (IEEE802.3at) Power consumption: 9 ~ 13 W
Dimensions (Ø × H)	Ø195 × 263 mm (Ø7.7" × 10.4")
Weight	3.2 kg (7.1 lb)
Working Environment	-20° C ~ +50° C (-4° F ~ 122° F), Humidity ≤ 90% RH (non-condensing)

IPC642E-X22-IN

2MP 22x Standard Network PTZ Dome Camera



Key Features

- 1/2.8" progressive scan CMOS
- Up to 1920 × 1080 resolution, 30fps
- 22x optical zoom (4.7 ~ 103.4mm)
- Alarm I/O, Audio I/O, ONVIF
- AC24V, 9 ~ 33W (heater: Max. 20W)
- IP67, -40° C ~ +70° C

Dimensions



Dimensions



Specifications

IPC642E-X22-IN	
Camera	
Sensor	1/2.8", 2 megapixel, progressive scan, low illumination CMOS
Lens	4.7 ~ 103 mm (22x optical zoom)
Angle of View (H)	61.9° (wide) ~ 3.4° (tele)
Iris	Auto/Manual; F1.6 ~ F3.2
Shutter	Auto/Manual; shutter time: 1/6 s ~ 1/8000 s
Min. Illumination	Colour: 0.03 lux (F1.6, 50IRE) B/W: 0.01 lux (F1.6, 50IRE)
S/N	>52dB
Day/Night	IR-cut filter with auto switch (ICR)
Video	
Max. Resolution	1920 × 1080
Video Compression	H.264, MJPEG
Frame Rate	1080P (1920 × 1080) 30 fps; 720P (1280 × 720) 30 fps; D1 (720 × 576) 25 fps
Video Streaming	Triple
OSD	Up to 8 OSDs
Privacy Mask	Up to 8 areas
Digital Zoom	Supported
Audio	
Audio Compression	G.711
Two-way audio	Supported
Storage	
Edge Storage	SD, up to 128 GB
Network	
Protocols	L2TP, IPv4, IGMP, ICMP, ARP, TCP, UDP, DHCP, PPPoE, RTP, RTSP, NTP, FTP, HTTP, SNMP, SIP
Compatible Integration	ONVIF, API
Pan & Tilt	
Pan Range	360° (endless)
Pan Speed	0.1° /s ~ 400° /s Pan preset speed: 540° /s
Tilt Range	-1° ~ +90° (auto reverse)
Tilt Speed	0.1° /s ~ 240° /s Tilt Preset speed: 400° /s
Number of Preset	255
Patrol	Up to 16 patrols, up to 32 presets per patrol Note: The total number of patrols and patterns is 16.
Pattern	Up to 16 patterns, with the total recording time not less 15 minutes
Interface	
Audio I/O	3.5 mm audio interface Input: impedance 35 kΩ; amplitude 2 V [p-p] Output: impedance 600 Ω; amplitude 2 V [p-p]
Alarm I/O	2 / 1
Serial Port	1 RS485
Network	10M/100M Base-TX Ethernet
Video Output	1 BNC, impedance 75 Ω; amplitude 1 V [p-p]
General	
Power	24 V AC, 24 V DC Power consumption: 9 ~ 33 W (heater: Max. 20 W)
Dimensions (Ø × H)	Ø218 × 298 mm (Ø8.6" × 11.7")
Weight	4.2 kg (9.3 lb)
Working Environment	-40° C ~ +70° C (-40° F ~ 158° F), Humidity ≤ 90% RH (non-condensing)
Ingress Protection	IP67

IPC642E-X30N

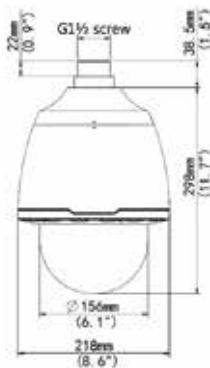
2MP 30x Standard Network PTZ Dome Camera



Key Features

- 1/2.8" progressive scan CMOS
- Up to 1920 × 1080 resolution, 30fps
- 30x optical zoom (4.5 ~ 135mm)
- AC24V, 9 ~ 33W (heater: Max. 20W)
- IP67, -40° C ~ +70° C

Dimensions



Accessories



Specifications

IPC642E-X30N	
Camera	
Sensor	1/2.8", 2 megapixel, progressive scan, low illumination CMOS
Lens	4.5 ~ 135 mm (30x optical zoom)
Angle of View (H)	62.9° (wide) ~ 2.3° (tele)
Iris	Auto/Manual; F1.4 ~ F4.8
Shutter	Auto/Manual; shutter time: 1/6 s ~ 1/8000 s
Min. Illumination	Colour: 0.03 lux (F1.6, 50IRE) B/W: 0.01 lux (F1.6, 50IRE)
S/N	>52dB
Day/Night	IR-cut filter with auto switch (ICR)
Video	
Max. Resolution	1920 × 1080
Video Compression	H.264, MJPEG
Frame Rate	1080P (1920 × 1080): Max. 30 fps; 720P (1280 × 720): Max. 30 fps; D1 (720 × 576): Max. 25 fps
Video Streaming	Triple
OSD	Up to 8 OSDs
Privacy Mask	Up to 8 areas
Digital Zoom	Supported
Audio	
Audio Compression	G.711
Two-way Audio	Supported
Storage	
Edge Storage	Micro SD, up to 128 GB
Network	
Protocols	L2TP, IPv4, IGMP, ICMP, ARP, TCP, UDP, DHCP, PPPoE, RTP, RTSP, NTP, FTP, HTTP, SNMP, SIP
Compatible Integration	ONVIF, API
Pan & Tilt	
Pan Range	360° (endless)
Pan Speed	0.1° /s ~ 400° /s Preset speed: 540° /s
Tilt Range	-20° ~ +90° (auto reverse)
Tilt Speed	0.1° /s ~ 240° /s Preset speed: 400° /s
Number of Preset	255
Patrol	Up to 16 patrols, up to 32 presets per patrol Note: The total number of patrols and patterns is 16.
Pattern	Up to 16 patterns, with the total recording time not less 15 minutes per pattern
Interface	
Audio I/O	3.5 mm audio interface Input: impedance 35 kΩ; amplitude 2 V [p-p] Output: impedance 600 Ω; amplitude 2 V [p-p]
Alarm I/O	2 / 1
Serial Port	1 RS485
Network	1RJ45 10M/100M Base-TX Ethernet
Video Output	1 BNC, impedance 75 Ω; amplitude 1 V [p-p]
General	
Power	24 V AC, 24 V DC Power consumption: 9 ~ 33 W (heater: Max. 20 W)
Dimensions (Ø × H)	Ø218 × 298 mm (Ø8.6" × 11.7")
Weight	4.2 kg (9.3 lb)
Working Environment	-40° C ~ +70° C (-40° F ~ 158° F), Humidity ≤ 90% RH (non-condensing)
Ingress Protection	IP67

IPC6242SR-X22

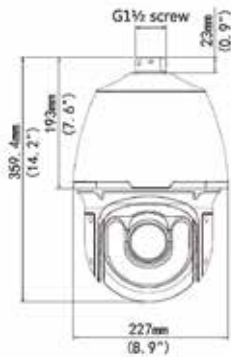
2MP 22x IR Network PTZ Dome Camera



Key Features

- 1/2.8" progressive scan CMOS
- Up to 1920 × 1080 resolution, 30fps
- 22x optical zoom (4.7 ~ 103mm)
- Smart IR, up to 150m IR distance
- Alarm I/O, Audio I/O, ONVIF
- All-weather design
- AC24V, 8 ~ 52.5W
- IP66, -40° C ~ +70° C

Dimensions



Accessories



Specifications

IPC6242SR-X22	
Camera	
Sensor	1/2.8", 2 megapixel, progressive scan, CMOS
Lens	4.7 ~ 103 mm (22x optical zoom)
Angle of View (H)	61.9° (wide) ~ 3.4° (tele)
Iris	Auto/Manual; F1.6 ~ F3.2
Shutter	Auto/Manual; shutter time: 1/6 s ~ 1/8000 s
Minimum Illumination	Colour: 0.03 lux (F1.6, 50IRE) B/W: 0.01 lux (F1.6, 50IRE)
S/N	>52dB
Day/Night	IR-cut filter with auto switch (ICR)
Video	
Max. Resolution	1920 × 1080
Video Compression	H.264, MJPEG
Frame Rate	1080P (1920 × 1080): Max. 30 fps; 720P (1280 × 720): Max. 30 fps; D1 (720 × 576): Max. 25 fps
Video Streaming	Triple
OSD	Up to 8 OSDs
Privacy Mask	Up to 8 areas
Digital Zoom	Supported
Audio	
Audio Compression	G.711
Two-way audio	Supported
Storage	
Edge Storage	SD, up to 128 GB
Network	
Protocols	L2TP, IPv4, IGMP, ICMP, ARP, TCP, UDP, DHCP, PPPoE, RTP, RTSP, NTP, FTP, HTTP, SNMP, SIP
Compatible Integration	ONVIF, API
Pan & Tilt	
Pan Range	360° (endless)
Pan Speed	0.1° /s ~ 240° /s Preset speed: 300° /s
Tilt Range	-15° ~ +90° (auto reverse)
Tilt Speed	0.1° /s ~ 160° /s Preset speed: 240° /s
Number of Preset	255
Patrol	Up to 16 patrols, up to 32 presets per patrol Note: The total number of patrols and patterns is 16.
Pattern	Up to 16 patterns, with the total recording time not less 15 minutes per pattern
Interface	
Audio I/O	3.5 mm audio interface Input: impedance 35 kΩ; amplitude 2 V [p-p] Output: impedance 600 Ω; amplitude 2 V [p-p]
Alarm I/O	2 / 1
Serial Port	1 RS485
Network	10M/100M Base-TX Ethernet
Video Output	1 BNC, impedance 75 Ω; amplitude 1 V [p-p]
General	
Power	24 V AC, 24 V DC Power consumption: 8 ~ 52.5 W (IR: 34W, moter: 7.5W, heater: Max. 14 W, fan: 3W)
Dimensions (Ø × H)	Ø227 × 359.4 mm (Ø8.9" × 14.2")
Weight	5.4 kg (11.9 lb)
Working Environment	-40° C ~ +70° C (-40° F ~ 158° F), Humidity ≤ 90% RH (non-condensing)
Ingress Protection	IP66

IPC6242SR-X30

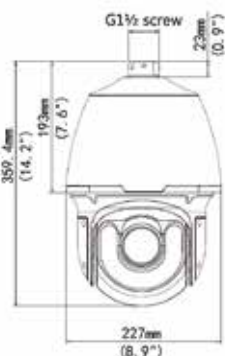
2MP 30x IR Network PTZ Dome Camera



Key Features

- 1/2.8" progressive scan CMOS
- Up to 1920 × 1080 resolution, 30fps
- 30x optical zoom (4.5 ~ 135mm)
- Smart IR, up to 150m IR distance
- AC24V, 8 ~ 52.5W (heater: Max. 14W)
- IP66, -40° C ~ +70° C

Dimensions



Accessories



Specifications

IPC6242SR-X30	
Camera	
Sensor	1/2.8", 2 megapixel, progressive scan, CMOS
Lens	4.5 ~ 135 mm (30x optical zoom)
Angle of View (H)	62.9° (wide) ~ 2.3° (tele)
Iris	Auto/Manual; F1.6 ~ F4.8
Shutter	Auto/Manual; shutter time: 1/6 s ~ 1/8000 s
Minimum Illumination	Colour: 0.03 lux (F1.6, 50IRE) B/W: 0.01 lux (F1.6, 50IRE)
S/N	>52dB
Day/Night	IR-cut filter with auto switch (ICR)
Video	
Max. Resolution	1920 × 1080
Video Compression	H.264, MJPEG
Frame Rate	1080P (1920 × 1080): Max. 30 fps; 720P (1280 × 720): Max. 30 fps; D1 (720 × 576): Max. 25 fps
Video Streaming	Triple
OSD	Up to 8 OSDs
Privacy Mask	Up to 8 areas
Digital Zoom	Supported
Audio	
Audio Compression	G.711
Two-way audio	Supported
Storage	
Edge Storage	Micro SD, up to 128 GB
Network	
Protocols	L2TP, IPv4, IGMP, ICMP, ARP, TCP, UDP, DHCP, PPPoE, RTP, RTSP, NTP, FTP, HTTP, SNMP, SIP
Compatible Integration	ONVIF, API
Pan & Tilt	
Pan Range	360° (endless)
Pan Speed	0.1° /s ~ 240° /s Preset speed: 300° /s
Tilt Range	-15° ~ +90° (auto reverse)
Tilt Speed	0.1° /s ~ 160° /s Preset speed: 240° /s
Number of Preset	255
Patrol	Up to 16 patrols, up to 32 presets per patrol Note: The total number of patrols and patterns is 16.
Pattern	Up to 16 patterns, with the total recording time not less 15 minutes per pattern
Interface	
Audio I/O	audio cable Input: impedance 35 kΩ; amplitude 2 V [p-p] Output: impedance 600 Ω; amplitude 2 V [p-p]
Alarm I/O	2 / 1
Serial Port	1 RS485
Network	10M/100M Base-TX Ethernet
Video Output	1 BNC, impedance 75 Ω; amplitude 1 V [p-p]
General	
Power	24 V AC, 24 V DC Power consumption: 8 ~ 52.5 W (IR: 34W, moter: 7.5W, heater: Max. 14 W, fan: 3W)
Dimensions (Ø × H)	Ø227 × 359.4 mm (Ø8.9" × 14.2")
Weight	5.4 kg (11.9 lb)
Working Environment	-40° C ~ +70° C (-40° F ~ 158° F), Humidity ≤ 90% RH (non-condensing)
Ingress Protection	IP66

IPC6241SR-X30

1.3MP 30x IR Network PTZ Dome Camera

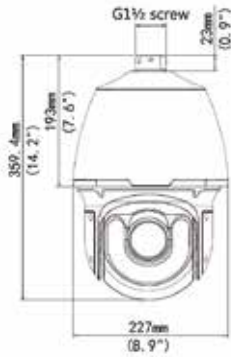
Phasing Out



Key Features

- 1/3" progressive scan CMOS
- Up to 1280 × 960 resolution, 30fps
- 30x optical zoom (4.5 ~ 135mm)
- Smart IR, up to 150m IR distance
- AC24V, 8 ~ 52.5W(heater: Max. 14W)
- IP66, -40° C ~ +70° C

Dimensions



Accessories



Specifications

IPC6241SR-X30	
Camera	
Sensor	1/3", 1.3 megapixel, progressive scan, CMOS
Lens	4.5 ~ 135 mm (30x optical zoom)
Angle of View (H)	61.5° (wide) ~ 2.1° (tele)
Iris	Auto/Manual; F1.6 ~ F4.8
Shutter	Auto/Manual; shutter time: 1/6 s ~ 1/8000 s
Minimum Illumination	Colour: 0.03 lux (F1.6, 50IRE) B/W: 0.01 lux (F1.6, 50IRE)
S/N	>50dB
Day/Night	IR-cut filter with auto switch (ICR)
Video	
Max. Resolution	1280 × 960
Video Compression	H.264, MJPEG
Frame Rate	960P (1280 × 960): Max. 30 fps; 720P (1280 × 720): Max. 30 fps; D1 (720 × 576): Max. 25 fps
Video Streaming	Triple
OSD	Up to 8 OSDs
Privacy Mask	Up to 8 areas
Digital Zoom	Supported
Audio	
Audio Compression	G.711
Two-way audio	Supported
Storage	
Edge Storage	Micro SD, up to 64 GB
Network	
Protocols	L2TP, IPv4, IGMP, ICMP, ARP, TCP, UDP, DHCP, PPPoE, RTP, RTSP, NTP, FTP, HTTP, SNMP, SIP
Compatible Integration	ONVIF, IMOS, API
Pan & Tilt	
Pan Range	360° (endless)
Pan Speed	0.1° /s ~ 240° /s Preset speed: 300° /s
Tilt Range	-15° ~ +90° (auto reverse)
Tilt Speed	0.1° /s ~ 160° /s Preset speed: 240° /s
Number of Preset	255
Patrol	Up to 16 patrols, up to 32 presets per patrol Note: The total number of patrols and patterns is 16.
Pattern	Up to 16 patterns, with the total recording time not less 15 minutes per pattern
Interface	
Audio I/O	audio cable Input: impedance 35 kΩ; amplitude 2 V [p-p] Output: impedance 600 Ω; amplitude 2 V [p-p]
Alarm I/O	2 / 1
Serial Port	1 RS485
Network	1 RJ45 10M/100M Base-TX Ethernet
Video Output	1 BNC, impedance 75 Ω; amplitude 1 V [p-p]
General	
Power	24 V AC, 24 V DC Power consumption: 8 ~ 52.5 W (IR: 34W, moter: 7.5W, heater: Max. 14 W, fan: 3W)
Dimensions (Ø × H)	Ø227 × 359.4 mm (Ø8.9" × 14.2")
Weight	5.4 kg (11.9 lb)
Working Environment	-40° C ~ +70° C (-40° F ~ 158° F), Humidity ≤ 90% RH (non-condensing)
Ingress Protection	IP66

IPC6242SR-X33G-IA

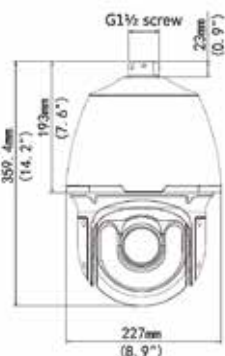
1080P 33X 2MP Auto Tracking PTZ Dome



Key Features

- Auto tracking
- 1/2.8" progressive scan CMOS
- Up to 1920 × 1080 resolution, 30fps
- 33x optical zoom (4.5 ~ 148.5mm)
- Smart IR, up to 150m IR distance
- Alarm I/O, Audio I/O, ONVIF
- IP66, -40° C ~ +70° C

Dimensions



Accessories



Specifications

IPC6242SR-X33G-IA	
Camera	
Sensor	1/2.8", 2 megapixel, progressive scan CMOS
Focus/Zoom	4.5 ~ 148.5 mm (33x optical zoom)
Angle of View (H)	62° (wide) ~ 3.44° (tele)
Iris	Auto/Manual, F1.6 ~ F4.4
Shutter	Auto/Manual, 1/6s ~ 1/8000s
Minimum Illumination	Color: 0.02 Lux (F1.6, AGC ON) 0 Lux with IR on
S/N	> 52dB
Day/Night	IR-cut filter with auto switch (ICR)
Video	
Max. Resolution	1920 × 1080
Video Compression	H.264, MJPEG
Frame Rate	1080P (1920 × 1080): Max. 30 fps
Video Streaming	Triple
OSD	Up to 8 OSDs
Privacy Mask	Up to 8 areas
Digital Zoom	Supported
Auto tracking	
Scene	4, scene switching plan configurable
Detection	Line cross, enter/leave area, intrusion
Smart Function	Auto tracking, snapshot when a moving object breaks the rules
Audio	
Audio Compression	G.711
Two-way Audio	Supported
Storage	
Edge Storage	Micro SD, up to 128 GB
Network	
Protocol	L2TP, IPv4, IGMP, ICMP, ARP, TCP, UDP, DHCP, PPPoE, RTP, RTSP, DNS, DDNS, NTP, FTP, UPnP, HTTP, HTTPS, SMTP, SNMP, SIP, QoS
Compatibility	ONVIF, API
Structure	
Pan Range	360°
Pan Speed	0.1°/s ~ 240°/s Preset speed: 300°/s
Tilt Range	-15° ~ 90° (auto reverse)
Tilt Speed	0.1°/s ~ 160°/s Preset speed: 240°/s
Number of Presets	256
Patrol	Preset patrol, route patrol, recorded patrol
Home Position	Supported
Drag-to-Zoom	Supported
Interface	
Audio I/O	Audio interface Input: impedance 35 kΩ; amplitude 2 V [p-p] Output: impedance 600 kΩ; amplitude 2 V [p-p]
Alarm I/O	2 / 1
Serial Port	1 RS485
Network	100M/1000M Base-FX adaptive SFP single mode (FC) 10M/100M/1000M Base-TX adaptive Ethernet 1+1 share mode
Video Output	1 BNC, impedance 75 Ω; amplitude 1 V [p-p]
General	
Power	24 V AC ± 25% (Default), 24 V DC Power consumption: 17 ~ 54 W
Dimensions (Ø × H)	Φ227 mm × 359.4 mm (Φ8.9" × 14.2")
Weight	5.4 kg (11.9 lb)
Working Environment	-40° C to +70° C (-40° F ~ 158° F), Humidity ≤ 95% RH
Ingress Protection	IP66

IPC6252SR-X22U (G)

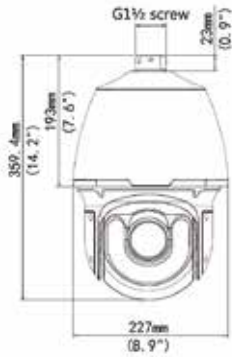
2MP 22x Starlight IR Network PTZ Dome Camera



Key Features

- 1/1.9" progressive scan CMOS
- Up to 1920 × 1080 resolution, 60fps
- 22x optical zoom (6.5 ~ 143mm)
- Smart IR, up to 200m IR distance
- Alarm I/O, Audio I/O, ONVIF, H.265
- All-weather design
- AC24V, DC24V
- IP66, -40° C ~ +70° C

Dimensions



Accessories



Specifications

	IPC6252SR-X22U	IPC6252SR-X22UG
Camera		
Sensor	1/1.9", 2 megapixel, progressive scan, CMOS	
Lens	6.5 ~ 143 mm (22x optical zoom)	
Angle of View (H)	70° (wide) ~ 3.76° (tele)	
Iris	Auto/Manual; F1.5 ~ F3.4	
Shutter	Auto/Manual; shutter time: 1/6 s ~ 1/8000 s	
Minimum Illumination	Colour: 0.001 Lux (F1.6, AGC ON) 0 Lux with IR	
S/N	>52 dB	
Day/Night	IR-cut filter with auto switch (ICR)	
Video		
Max. Resolution	1920 × 1080	
Video Compression	H.265, H.264, MJPEG	
Frame Rate	1080P (1920 × 1080): Max. 60 fps	
Video Streaming	Triple	
OSD	Up to 8 OSDs	
Privacy Mask	Up to 8 areas	
Digital Zoom	Supported	
Audio		
Audio Compression	G.711	
Two-way audio	Supported	
Storage		
Edge Storage	Micro SD, up to 128 GB	
Network		
Protocols	L2TP, IPv4, IGMP, ICMP, ARP, TCP, UDP, DHCP, PPPoE, RTP, RTSP, DNS, DDNS, NTP, FTP, UPnP, HTTP, HTTPS, SMTP, SIP	
Compatible Integration	ONVIF, API	
Pan & Tilt		
Pan Range	360° (endless)	
Pan Speed	0.1° /s ~ 240° /s Preset speed: 300° /s	
Tilt Range	-15° ~ +90° (auto reverse)	
Tilt Speed	0.1° /s ~ 160° /s Preset speed: 240° /s	
Number of Preset	256	
Patrol	Preset patrol, route patrol, recorded patrol	
Home Position	Supported	
Interface		
Audio I/O	Audio cable Input: impedance 35 kΩ; amplitude 2 V [p-p] Output: impedance 600 Ω; amplitude 2 V [p-p]	
Alarm I/O	2 / 1	
Serial Port	1 RS485	
Network	10M/100M Base-TX Ethernet	100M Base-FX SFP+10M/100M Base-TX Ethernet
Video Output	1 BNC, impedance 75 Ω; amplitude 1 V [p-p]	
General		
Power	24 V AC (Default), 24 V DC Power consumption: 11~47W Power consumption: 15~51W	
Dimensions (Ø × H)	Ø227 × 359.4 mm (Ø8.9" × 14.2")	
Weight	5.5 kg (12.1 lb)	
Working Environment	-40° C ~ +70° C (-40° F ~ 158° F), Humidity ≤ 95% RH (non-condensing)	
Ingress Protection	IP66	

IPC6252SR-X33U

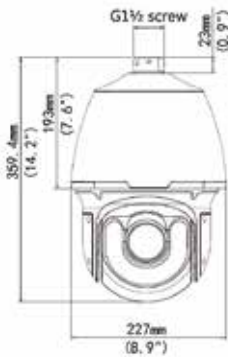
2MP 33X 2MP Starlight IR Dome Camera



Key Features

- 1/2.8" progressive scan CMOS
- Up to 1920 × 1080 resolution, 60fps
- 33x optical zoom (4.5 ~ 148.5mm)
- Smart IR, up to 150m IR distance
- Alarm I/O, Audio I/O, ONVIF, H.265
- All-weather design
- AC24V, DC24V, 8~52.5W
- IP66, -40° C ~ +70° C

Dimensions



Accessories



Specifications

IPC6252SR-X33U	
Camera	
Sensor	1/2.8", 2 megapixel, progressive scan, CMOS
Lens	4.5 ~ 148.5 mm (33x optical zoom)
Angle of View (H)	62.93° (wide) ~ 3.67° (tele)
Iris	Auto/Manual; F1.6 ~ F5.3
Shutter	Auto/Manual; shutter time: 1/6 s ~ 1/8000 s
Minimum Illumination	Colour: 0.002 Lux (F1.6, AGC ON) 0 Lux with IR
S/N	>52 dB
Day/Night	IR-cut filter with auto switch (ICR)
Video	
Max. Resolution	1920 × 1080
Video Compression	H.265, H.264, MJPEG
Frame Rate	1080P (1920 × 1080): Max. 60 fps
Video Streaming	Triple
OSD	Up to 8 OSDs
Privacy Mask	Up to 8 areas
Digital Zoom	Supported
Audio	
Audio Compression	G.711
Two-way audio	Supported
Storage	
Edge Storage	Micro SD, up to 128 GB
Network	
Protocols	L2TP, IPv4, IGMP, ICMP, ARP, TCP, UDP, DHCP, PPPoE, RTP, RTSP, DNS, DDNS, NTP, FTP, UPnP, HTTP, HTTPS, SMTP, SIP
Compatible Integration	ONVIF, API
Pan & Tilt	
Pan Range	360° (endless)
Pan Speed	0.1° /s ~ 240° /s Preset speed: 300° /s
Tilt Range	-15° ~ +90° (auto reverse)
Tilt Speed	0.1° /s ~ 160° /s Preset speed: 240° /s
Number of Preset	256
Patrol	Preset patrol, route patrol, recorded patrol
Home Position	Supported
Interface	
Audio I/O	Audio cable Input: impedance 35 kΩ; amplitude 2 V [p-p] Output: impedance 600 Ω; amplitude 2 V [p-p]
Alarm I/O	2 / 1
Serial Port	1 RS485
Network	10M/100M Base-TX Ethernet
Video Output	1 BNC, impedance 75 Ω; amplitude 1 V [p-p]
General	
Power	24 V AC (Default), 24 V DC Power consumption: 8 ~ 52.5W
Dimensions (Ø × H)	Ø227 × 359.4 mm (Ø8.9" × 14.2")
Weight	5.4kg (11.9lb)
Working Environment	-40° C ~ +70° C (-40° F ~ 158° F), Humidity ≤ 95% RH (non-condensing)
Ingress Protection	IP66

IPC6252SFW-X22U

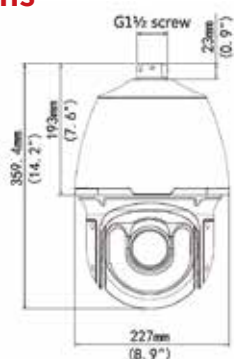
2MP 22x Starlight Network Full Spectrum PTZ Dome Camera



Key Features

- Starlight illumination
- Full spectrum light with both white and infrared LED design
- 1/1.9" progressive scan CMOS
- Up to 1920 × 1080 resolution, 30fps
- 22x optical zoom (6.5 ~ 143mm)
- Smart IR, up to 150m IR distance
- Alarm I/O, Audio I/O, ONVIF, H.265
- IP66, -40° C ~ +70° C
- AC24V, DC24V, 11 ~ 47W

Dimensions



Accessories



Specifications

IPC6252SFW-X22U	
Camera	
Sensor	1/1.9", 2 megapixel, progressive scan, CMOS
Lens	6.5 ~ 143 mm (22x optical zoom)
Angle of View (H)	70° (wide) ~ 3.76° (tele)
Iris	Auto/Manual; F1.5 ~ F3.4
Shutter	Auto/Manual; shutter time: 1/6 s ~ 1/8000 s
Minimum Illumination	Colour: 0.001 lux (F1.5, AGC ON) 0 Lux with IR on
S/N	>52dB
Day/Night	IR-cut filter with auto switch (ICR)
Video	
Max. Resolution	1920 × 1080
Video Compression	H.265, H.264, MJPEG
Frame Rate	1080P (1920 × 1080): Max. 60 fps; 720P (1280 × 720): Max. 60 fps; D1 (720 × 576): Max. 25 fps
Video Streaming	Triple
OSD	Up to 8 OSDs
Privacy Mask	Up to 8 areas
Digital Zoom	Supported
Audio	
Audio Compression	G.711
Two-way audio	Supported
Storage	
Edge Storage	Micro SD, up to 128 GB
Network	
Protocols	L2TP, IPv4, IGMP, ICMP, ARP, TCP, UDP, DHCP, PPPoE, RTP, RTSP, DNS, DDNS, NTP, FTP, UPnP, HTTP, HTTPS, SMTP, SNMP, SIP, QoS
Compatible Integration	ONVIF, API
Pan & Tilt	
Pan Range	360° (endless)
Pan Speed	0.1° /s ~ 240° /s Preset speed: 300° /s
Tilt Range	-15° ~ +90° (auto reverse)
Tilt Speed	0.1° /s ~ 160° /s Preset speed: 240° /s
Number of Preset	256
Patrol	Preset patrol, route patrol, recorded patrol
Home Position	Supported
Drag-to-Zoom	Supported
Interface	
Audio I/O	Audio cable 1 Input: impedance 35 kΩ; amplitude 2 V [p-p] 1 Output: impedance 600 Ω; amplitude 2 V [p-p]
Alarm I/O	2 / 1
Serial Port	1 RS485
Network	1 RJ45 10M/100M Base-TX Ethernet
Video Output	1 BNC, impedance 75 Ω; amplitude 1 V [p-p]
General	
Power	24 V AC (Default), 24 V DC Power consumption: 11 ~ 47W
Dimensions (Ø × H)	Ø227 × 359.4 mm (Ø8.9" × 14.2")
Weight	5.4 kg (11.9 lb)
Working Environment	-40° C ~ +70° C (-40° F ~ 158° F), Humidity ≤ 95% RH (non-condensing)
Ingress Protection	IP66

IPC6242SL-X22

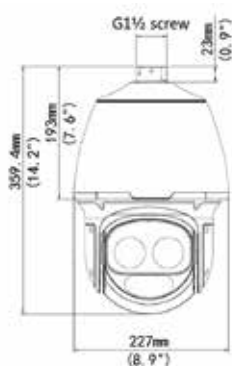
2MP 22x Laser IR Network PTZ Dome Camera

Phasing Out


Key Features

- 1/2.8" progressive scan CMOS
- Up to 1920 × 1080 resolution, 30fps
- 22x optical zoom (4.7 ~ 103mm)
- Combined IR LED and laser, up to 500m IR distance
- Adaptive focus length of the laser
- Alarm I/O, Audio I/O
- All-weather design
- AC24V, 8 ~ 45W
- IP66, -40° C ~ +70° C

Dimensions



Accessories



Specifications

IPC6242SL-X22	
Camera	
Sensor	1/2.8", 2 megapixel, progressive scan, CMOS
Lens	4.7 ~ 103 mm (22x optical zoom)
Angle of View (H)	61.9° (wide) ~ 3.4° (tele)
Iris	Auto/Manual; F1.6 ~ F3.2
Shutter	Auto/Manual; shutter time: 1/6 s ~ 1/8000 s
Minimum Illumination	Colour: 0.03 lux (F1.6, 50IRE) B/W: 0.01 lux (F1.6, 50IRE)
S/N	>52dB
Day/Night	IR-cut filter with auto switch (ICR)
Video	
Max. Resolution	1920 × 1080
Video Compression	H.264, MJPEG
Frame Rate	1080P (1920 × 1080): Max. 30 fps; 720P (1280 × 720): Max. 30 fps; D1 (720 × 576): Max. 25 fps
Video Streaming	Triple
OSD	Up to 8 OSDs
Privacy Mask	Up to 8 areas
Digital Zoom	Supported
Audio	
Audio Compression	G.711
Two-way audio	Supported
Storage	
Edge Storage	SD, up to 64 GB
Network	
Protocols	L2TP, IPv4, IGMP, ICMP, ARP, TCP, UDP, DHCP, PPPoE, RTP, RTSP, NTP, FTP, HTTP, SNMP, SIP
Compatible Integration	ONVIF, IMOS, API
Pan & Tilt	
Pan Range	360° (endless)
Pan Speed	0.1° /s ~ 240° /s Preset speed: 300° /s
Tilt Range	-15° ~ +90° (auto reverse)
Tilt Speed	0.1° /s ~ 160° /s Preset speed: 240° /s
Number of Preset	255
Patrol	Up to 16 patrols, up to 32 presets per patrol Note: The total number of patrols and patterns is 16.
Pattern	Up to 16 patterns, with the total recording time not less 15 minutes per pattern
Interface	
Audio I/O	3.5 mm audio interface Input: impedance 35 kΩ; amplitude 2 V [p-p] Output: impedance 600 Ω; amplitude 2 V [p-p]
Alarm I/O	2 / 1
Serial Port	1 RS485
Network	10M/100M Base-TX Ethernet
Video Output	1 BNC, impedance 75 Ω; amplitude 1 V [p-p]
General	
Power	24 V AC, 24 V DC Power consumption: 8 ~ 45 W (IR: 7.5W, laser: 5W, moter: 7.5W, heater: Max. 14 W, fan: 3W)
Dimensions (Ø × H)	Ø227 × 359.4 mm (Ø8.9" × 14.2")
Weight	5.6 kg (12.3 lb)
Working Environment	-40° C ~ +70° C (-40° F ~ 158° F), Humidity ≤ 90% RH (non-condensing)
Ingress Protection	IP66

IPC6242SL-X33

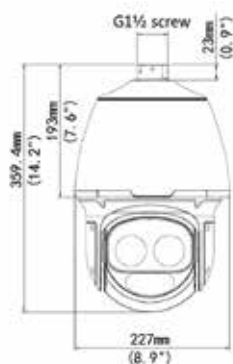
1080P Laser VF Network IR PTZ Dome Camera



Key Features

- 1/2.8" progressive scan CMOS
- Up to 1920×1080 resolution, 30fps
- 33x optical zoom(4.5~148.5mm)
- Smart IR, up to 500m IR distance
- Alarm I/O, Audio I/O, ONVIF
- All-weather design, IP66, -40° C ~ +70° C
- AC24V, DC24V, 8 ~ 47W

Dimensions



Accessories



Specifications

IPC6242SL-X33	
Camera	
Sensor	1/2.8" progressive scan, 2 megapixel, CMOS
Focus/Zoom	4.5 ~ 148.5 mm (33x optical zoom)
Iris	Auto/Manual; F1.6 ~ F5.3
Shutter	Auto/Manual; shutter time: 1/6 s ~ 1/8000 s
Minimum Illumination	Colour: 0.02 lux (F1.6, 50IRE) B/W: 0 lux
S/N	>52dB
Day/Night	IR-cut filter with auto switch (ICR)
Video	
Video Compression	H.264
Frame Rate	1080P (1920 × 1080): Max. 30 fps; 720P (1280 × 720): Max. 30 fps; D1 (720 × 576): Max. 25 fps
Video Streaming	Triple
OSD	Time, custom, preset, PTZ coordinates, zoom, serial port, cardinal direction, network interface
Privacy Mask	Supported
Audio	
Audio Compression	G.711
Two-way Audio	Supported
Storage	
Edge Storage	Micro SD, up to 128 GB
Network	
Protocols	L2TP, IPv4, IGMP, ICMP, ARP, TCP, UDP, DHCP, RTP, RTSP, DNS, DDNS, NTP, FTP, UPnP, HTTP, SNMP, SIP, HTTPS
Compatible Integration	ONVIF, API
Pan & Tilt	
Pan Range	360°
Pan Speed	0.1° /s ~ 240° /s Preset speed: 300° /s
Tilt Range	-15° ~ +90° (auto reverse)
Tilt Speed	0.1° /s ~ 160° /s Preset speed: 240° /s
Number of Preset	255
Patrol	Preset patrol, route patrol, recorded patrol
Home Position	Supported
Interface	
Audio I/O	Audio interface 1 Input: impedance 35 kΩ; amplitude 2 V [p-p] 1 Output: impedance 600 Ω; amplitude 2 V [p-p]
Alarm I/O	2 alarm inputs, 1 alarm output
Serial Port	1 RS485
Network	10M/100M Base-TX adaptive Ethernet network interface
Video Output	1 BNC, impedance 75 Ω; amplitude 1 V [p-p]
General	
Power	24 V AC ±25% (default power supply), 24V DC ±25% Power consumption: 8 W ~ 47 W Overvoltage/overcurrent protection
Dimensions (Ø × H)	Ø227 × 359.4 mm (Ø8.9" × 14.2")
Weight	5.5 kg (12.1 lb)
Working Environment	-40° C ~ +70° C (-40° F ~ 158° F), Humidity ≤ 90% RH (non-condensing)
IR	Built-in VF laser IR
Ingress Protection	IP66

IPC6253SR-X33

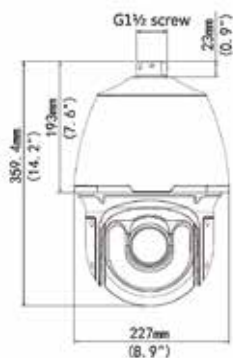
3MP 33x IR Network PTZ Dome Camera



Key Features

- 1/2.8" progressive scan CMOS
- Up to 2048 × 1536 resolution, 30fps
- 33x optical zoom (4.5 ~ 148.5mm)
- Smart IR, up to 150m IR distance
- Alarm I/O, Audio I/O, ONVIF
- AC 24V, DC 24V, 11 ~ 47W
- IP66, -40° C ~ +70° C

Dimensions



Accessories



Specifications

IPC6253SR-X33	
Camera	
Sensor	1/2.8", 3 megapixel, progressive scan, CMOS
Lens	4.5 ~ 148.5 mm (33x optical zoom)
Angle of View (H)	62.93° (wide) ~ 3.51° (tele)
Iris	Auto/Manual; F1.6 ~ F5.3
Shutter	Auto/Manual; shutter time: 1/6 s ~ 1/8000 s
Minimum Illumination	Colour: 0.02 Lux (F1.6, AGC ON) 0 Lux with IR
S/N	>55dB
WDR	120dB
Day/Night	IR-cut filter with auto switch (ICR)
Video	
Max. Resolution	2048 × 1536
Video Compression	H.265, H.264, MJPEG
Frame Rate	3MP (2048 × 1536): Max. 30 fps; 1080P (1920 × 1080): Max. 60 fps
Video Streaming	Triple
OSD	Up to 8 OSDs
Privacy Mask	Up to 4 areas
Digital Zoom	Supported
Audio	
Audio Compression	G.711
Two-way audio	Supported
Storage	
Edge Storage	Micro SD, up to 128 GB
Network	
Protocols	L2TP, IPv4, IGMP, ICMP, ARP, TCP, UDP, DHCP, PPPoE, RTP, RTSP, DNS, DDNS, NTP, FTP, UPnP, HTTP, HTTPS, SMTP, SNMP, SIP, QoS
Compatible Integration	ONVIF, API
Pan & Tilt	
Pan Range	360° (endless)
Pan Speed	0.1° /s ~ 240° /s Preset speed: 300° /s
Tilt Range	-15° ~ +90° (auto reverse)
Tilt Speed	0.1° /s ~ 160° /s Preset speed: 240° /s
Number of Preset	256
Patrol	Preset patrol, route patrol, recorded patrol
Home Position	Supported
Interface	
Audio I/O	Audio cable Input: impedance 35 kΩ; amplitude 2 V [p-p] Output: impedance 600 Ω; amplitude 2 V [p-p]
Alarm I/O	2 / 1
Serial Port	1 RS485
Network	10M/100M Base-TX Ethernet
Video Output	1 BNC, impedance 75 Ω; amplitude 1 V [p-p]
General	
Power	24 V AC (Default), 24 V DC Power consumption: 11 ~ 47W
Dimensions (Ø × H)	Ø227 × 359.4 mm (Ø8.9" × 14.2")
Weight	5.5 kg (12.1 lb)
Working Environment	-40° C ~ +70° C (-40° F ~ 158° F), Humidity ≤ 95% RH (non-condensing)
Ingress Protection	IP66

IPC6248SR-X22

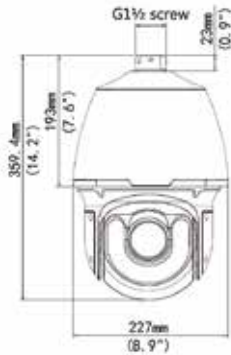
4K Ultra-HD Network IR PTZ Dome Camera



Key Features

- 1/1.7" progressive scan CMOS
- Up to 4000 × 3000 resolution, 30fps
- 22x optical zoom (6.5 ~ 143mm)
- Smart IR, up to 150m IR distance
- Alarm I/O, Audio I/O, ONVIF
- All-weather design, IP66, -40° C ~ +70° C
- AC24V, DC24V, 14 ~ 48W

Dimensions



Accessories



Specifications

IPC6248SR-X22	
Camera	
Sensor	1/1.7" progressive scan, 12 megapixel, CMOS
Focus/Zoom	6.5 ~ 143 mm (22x optical zoom)
Iris	Auto/Manual, F1.5 ~ F3.4
Shutter	Auto/Manual, shutter time: 1/6 s ~ 1/8000 s
Minimum Illumination	Colour: 0.02 lux (F1.5, 50IRE) 0 lux with IR
S/N	>55dB
Day/Night	IR-cut filter with auto switch (ICR)
Video	
Video Compression	H.264
Frame Rate	12MP (4000 × 3000): Max. 20 fps; 4K (3840 × 2160): Max. 30 fps
Video Streaming	Triple
OSD	Time OSD, custom OSD
Privacy Mask	Supported
Audio	
Audio Compression	G.711
Two-way Audio	Supported
Storage	
Edge Storage	Micro SD, up to 128 GB
Network	
Protocols	L2TP, IPv4, IGMP, ICMP, ARP, TCP, UDP, DHCP, RTP, RTSP, DNS, DDNS, NTP, FTP, UPnP, HTTP, SNMP, SIP
Compatible Integration	ONVIF, API
Pan & Tilt	
Pan Range	360°
Pan Speed	0.1° /s ~ 240° /s Preset speed: 300° /s
Tilt Range	-15° ~ +90° (auto reverse)
Tilt Speed	0.1° /s ~ 160° /s Preset speed: 240° /s
Number of Preset	256
Patrol	Preset patrol, route patrol, recorded patrol
Home Position	Supported
Interface	
Audio I/O	Audio interface 1 Input: impedance 35 kΩ; amplitude 2 V [p-p] 1 Output: impedance 600 Ω; amplitude 2 V [p-p]
Alarm I/O	2 alarm inputs, 1 alarm output
Serial Port	1 RS485
Network	10M/100M Base-TX adaptive Ethernet
Video Output	1 BNC, impedance 75 Ω; amplitude 1 V [p-p]
General	
Power	24 V AC ±25% (default power supply), 24 V DC ±25% Power consumption: 14 W ~ 48 W Overvoltage/overcurrent protection
Dimensions (Ø × H)	Ø227 × 359.4 mm (Ø8.9" × 14.2")
Weight	5.5 kg (12.1 lb)
Working Environment	-40° C ~ +70° C (-40° F ~ 158° F), Humidity ≤ 90% RH (non-condensing)
Ingress Protection	IP66

NVR



NVR201L Series

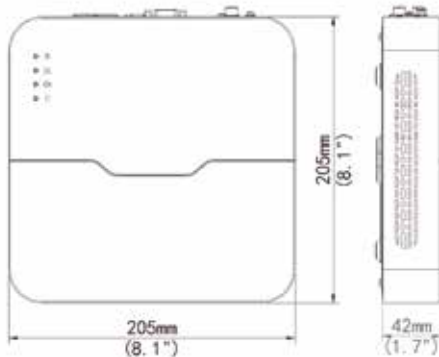
Network Video Recorder



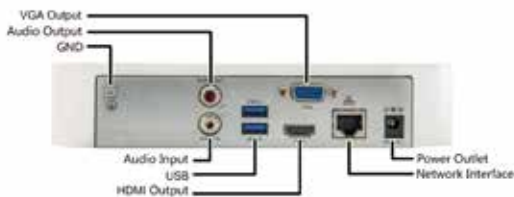
Key Features

- 4/8-ch IP video input
- 1 SATA up to 6 TB
- Third-party IP cameras supported with ONVIF conformance
- HDMI and VGA output up to 1080P
- Instant playback, Smart search
- DDNS, P2P, Email, UPnP, NTP, DHCP, PPPoE
- Mobile App access, Cloud upgrade

Dimensions



Rear Panel



Specifications

	NVR201-04L	NVR201-08L
Video and Audio		
IP Video Input	4-ch	8-ch
Two-way audio Input	1-ch, RCA	
Network		
Incoming bandwidth	40Mbps	80Mbps
Outgoing bandwidth	64Mbps	
Remote connection	128	
Video/Audio Output		
HDMI/VGA Output	HDMI/VGA: 1920 × 1080p/60Hz, 1920 × 1080p/50Hz, 1600 × 1200/60Hz, 1280 × 1024/60Hz, 1280 × 720/60Hz, 1024 × 768 /60Hz	
Recording Resolution	4MP/3MP/1080p/960p/720p/D1/2CIF/CIF	
Audio Output	1-ch, RCA	
Synchronous Playback	4-ch	8-ch
Decoding		
Compression	H.264	
Live view/ Playback	4MP/3MP/1080p/960p/720p/D1/2CIF/CIF	
Capability	2 × 4MP @ 20, 4 × 1080p @ 30	2 × 4MP @ 20, 4 × 1080p @ 25, 8 × 720p @ 25
Hard Disk		
SATA	1 SATA interface	
Capacity	up to 6TB for each disk	
External Interface		
Network Interface	1 RJ-45 10M/100M/1000M self-adaptive Ethernet Interface	
Network Function	HTTP, TCP/IP, IPV4, UPNP, RTSP, UDP, SMTP, NTP, DHCP, DNS, IP Filter, PPPOE, DDNS, FTP, IP Server, P2P	
USB Interface	Rear panel: 1 × USB2.0, 1 × USB3.0	
General		
Power Supply	12V DC	
Consumption (without HDD)	≤ 8 W	
Working Temperature	-10° C ~ +55° C (+14° F ~ +131° F)	
Working Humidity	10% ~ 90%	
Dimensions	205 × 205 × 42mm (8.1" × 8.1" × 1.7")	
Weight (without HDD)	≤ 0.52 Kg (1.14lb)	

NVR201-04LP

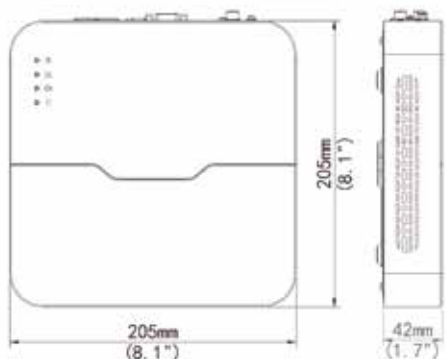
Network Video Recorder



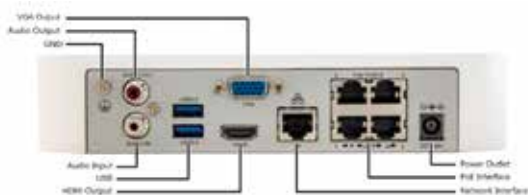
Key Features

- 4-ch IP video input
- 1 SATA up to 6 TB
- 4 RJ45 PoE+ Interfaces
- Third-party IP cameras supported with ONVIF conformance
- HDMI and VGA output up to 1080P
- Instant playback, Smart search
- DDNS, P2P, Email, UPnP, NTP, DHCP, PPPoE
- Mobile App access, Cloud upgrade

Dimensions



Rear Panel



Specifications

NVR201-04LP	
Video and Audio	
IP Video Input	4-ch
Two-way audio input	1-ch, RCA
Network	
Incoming bandwidth	40Mbps
Outgoing bandwidth	64Mbps
Remote connection	128
Video/Audio Output	
HDMI/VGA Output	HDMI/VGA: 1920 × 1080p/60Hz, 1920 × 1080p /50Hz, 1600 × 1200/60Hz, 1280 × 1024/60Hz, 1280 × 720/60Hz, 1024 × 768/60Hz
Recording Resolution	4MP/3MP/1080p/960p/720p/D1/2CIF/CIF
Audio Output	1-ch, RCA
Synchronous Playback	4-ch
Decoding	
Compression	H.264
Live view/Playback	4MP/3MP/1080p/960p/720p/D1/2CIF/CIF
Capability	2 × 4MP @ 20, 4 × 1080P @ 30
Hard Disk	
SATA	1 SATA interface
Capacity	up to 6TB for each disk
External Interface	
Network Interface	1 RJ-45 10M/100M self-adaptive Ethernet Interface
Network Function	HTTP, TCP/IP, IPV4, UPNP, RTSP, UDP, SMTP, NTP, DHCP, DNS, IP Filter, PPPoE, DDNS, FTP, IP Server, P2P
USB Interface	Rear panel: 1 × USB2.0, 1 × USB3.0
PoE	
Interface	4 independent 100 Mbps PoE network interfaces
Supported Standard	IEEE 802.3at
General	
Power Supply	48V DC
Consumption(without HDD and PoE)	≤ 8 W
Working Temperature	-10° C ~ + 55° C (+14° F ~ +131° F)
Working Humidity	10% ~ 90%
Dimensions	205 × 205 × 42mm (8.1" × 8.1" × 1.7")
Weight(without HDD)	≤ 0.58 Kg (1.27lb)

NVR201-08LP

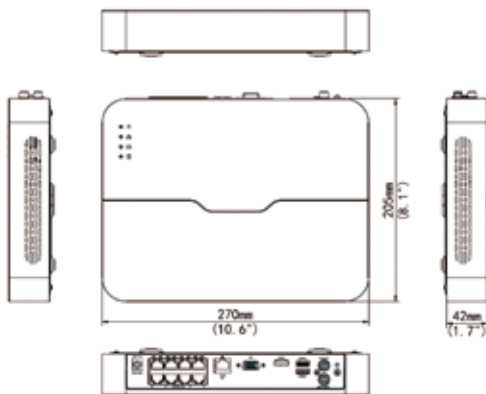
Network Video Recorder



Key Features

- 8-ch IP video input
- 1 SATA up to 6 TB
- 8 RJ45 PoE+ Interfaces
- Third-party IP cameras supported with ONVIF conformance
- HDMI and VGA output up to 1080P
- Instant playback, Smart search
- DDNS, P2P, Email, UPnP, NTP, DHCP, PPPoE
- Mobile App access, Cloud upgrade

Dimensions



Rear Panel



Specifications

NVR201-08LP	
Video and Audio	
IP Video Input	8-ch
Two-way audio input	1-ch, RCA
Network	
Incoming bandwidth	80Mbps
Outgoing bandwidth	64Mbps
Remote connection	128
Video/Audio Output	
HDMI/VGA Output	HDMI/VGA: 1920 × 1080p/60Hz, 1920 × 1080p/50Hz, 1600 × 1200/60Hz, 1280 × 1024/60Hz, 1280 × 720/60Hz, 1024 × 768/60Hz
Recording Resolution	4MP/3MP/1080p/960p/720p/D1/2CIF/CIF
Audio Output	1-ch, RCA
Synchronous Playback	8-ch
Decoding	
Compression	H.264
Live view/Playback	4MP/3MP/1080p/960p/720p/D1/2CIF/CIF
Capability	4 × 4MP @ 20, 8 × 720P @ 25
Hard Disk	
SATA	1 SATA interface
Capacity	up to 6TB for each disk
External Interface	
Network Interface	1 RJ-45 10M/100M self-adaptive Ethernet Interface
Network Function	HTTP, TCP/IP, IPV4, UPNP, RTSP, UDP, SMTP, NTP, DHCP, DNS, IP Filter, PPPoE, DDNS, FTP, IP Server, P2P
USB Interface	Rear panel: 1 × USB2.0, 1 × USB3.0
PoE	
Interface	8 independent 100 Mbps PoE network interfaces
Supported Standard	IEEE 802.3at
General	
Power Supply	52V DC
Consumption (without HDD and PoE)	≤ 8 W
Working Temperature	-10° C ~ +55° C (+14° F ~ +131° F)
Working Humidity	10% ~ 90%
Dimensions	270 × 205 × 42mm (10.6" × 8.1" × 1.7")
Weight (without HDD)	≤ 0.72 Kg (1.59lb)

NVR201EP Series

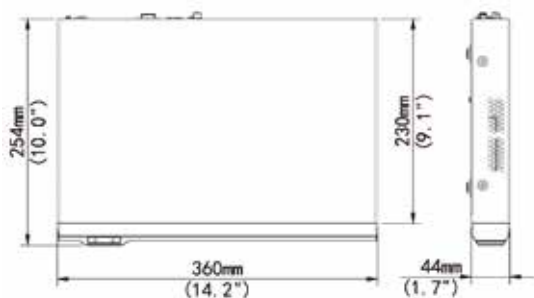
Network Video Recorder



Key Features

- 4/8-ch IP video input
- 1 SATA up to 6 TB
- 4/8 RJ45 PoE+ Interfaces
- Third-party IP cameras supported with ONVIF conformance
- HDMI and VGA output up to 1080P
- Instant playback, Smart search
- DDNS, P2P, Email, UPnP, NTP, DHCP, PPPoE
- Mobile App access, Cloud upgrade

Dimensions



Rear Panel



NVR201-04EP



NVR201-08EP

Specifications

	NVR201-04EP	NVR201-08EP
Video and Audio		
IP Video Input	4-ch	8-ch
Two-way audio Input	1-ch, RCA	
Network		
Incoming bandwidth	40Mbps	80Mbps
Outgoing bandwidth	96Mbps	
Remote connection	128	
Video/Audio Output		
HDMI/VGA Output	HDMI/VGA: 1920 × 1080p/60Hz, 1920 × 1080p/50Hz, 1600 × 1200/60Hz, 1280 × 1024/60Hz, 1280 × 720/60Hz, 1024 × 768/60Hz	
Recording Resolution	4MP/3MP/1080p/960p/720p/D1/2CIF/CIF	
Audio Output	1-ch, RCA	
Synchronous Playback	4-ch	
Decoding		
Compression	H.264	
Live view/Playback	4MP/3MP/1080p/960p/720p/D1/2CIF/CIF	
Capability	2 × 4MP @ 20, 4 × 1080p @ 30	2 × 4MP @ 20, 4 × 1080p @ 25, 8 × 720p @ 25
Hard Disk		
SATA	1 SATA interface	
Capacity	up to 6TB for each disk	
External Interface		
Network Interface	1 RJ-45 10M/100M/1000M self-adaptive Ethernet Interface	
Network Function	HTTP, TCP/IP, IPV4, UPNP, RTSP, UDP, SMTP, NTP, DHCP, DNS, IP Filter, PPPOE, DDNS, FTP, IP Server, P2P	
USB Interface	Rear panel: 1 × USB2.0, 1 × USB3.0	
PoE		
Interface	4 independent 100 Mbps PoE network interfaces	8 independent 100 Mbps PoE network interfaces
Supported Standard	IEEE 802.3at	
General		
Power Supply	48V DC	52V DC
Consumption (without HDD and PoE)	≤ 8 W	
Working Temperature	-10° C ~ +55° C (+14° F ~ +131° F)	
Working Humidity	10% ~ 90%	
Dimensions	44 × 360 × 254mm (1.7" × 14.2" × 10.0")	
Weight (without HDD)	≤ 1.42 Kg (3.13 lb)	

NVR202E Series

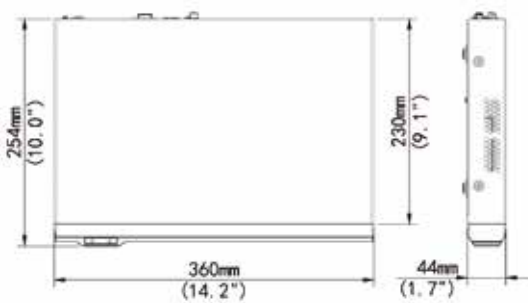
Network Video Recorder



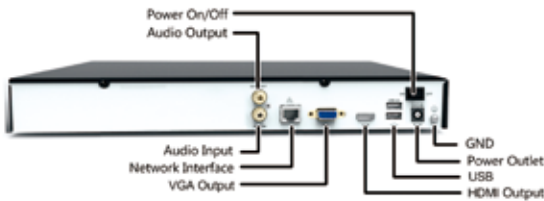
Key Features

- 8/16/32-channel input
- Third-party IP cameras supported with ONVIF conformance
- HDMI and VGA output up to 1080P
- Up to 4 Megapixels resolution recording
- Accurate retrieval, instant playback
- 2 SATA HDD up to 12 TB
- DDNS, P2P, Email, UPnP, NTP, DHCP, PPPoE
- Mobile App access, Cloud upgrade

Dimensions



Rear Panel



Specifications

	NVR202-08E	NVR202-16E	NVR202-32E
Video and Audio			
IP Video Input	8-ch	16-ch	32-ch
Two-way audio Input	1-ch, RCA		
Network			
Incoming bandwidth	80Mbps	160Mbps	200Mbps
Outgoing bandwidth	96Mbps		
Remote connection	128		
Video/Audio Output			
HDMI/VGA Output	HDMI/VGA: 1920 × 1080p/60Hz, 1920 × 1080p/50Hz, 1600 × 1200/60Hz, 1280 × 1024/60Hz, 1280 × 720/60Hz, 1024 × 768/60Hz		
Recording Resolution	4MP/3MP/1080p/960p/720p/D1/2CIF/CIF		
Audio Output	1-ch, RCA		
Synchronous Playback	8-ch	16-ch	
Decoding			
Compression	H.264		
Live view/ Playback	4MP/3MP/1080p/960p/720p/D1/2CIF/CIF		
Capability	2 × 4MP @ 20, 4 × 1080p @ 30, 8 × 720p @ 25	4 × 4MP @ 20, 6 × 1080p @ 25, 16 × 720p @ 25, 32 × D1	
Hard Disk			
SATA	2 SATA interfaces		
Capacity	up to 6TB for each disk		
External Interface			
Network Interface	1 RJ-45 10M/100M/1000M self-adaptive Ethernet Interface		
USB Interface	Rear panel: 1 × USB2.0, 1 × USB3.0		
General			
Power Supply	12V DC		
Consumption (without HDD)	≤ 8 W		
Working Temperature	-10° C ~ +55° C (+14° F ~ +131° F)		
Working Humidity	10% ~ 90%		
Dimensions	44 × 360 × 254mm (1.7" × 14.2" × 10.0")		
Weight (without HDD)	≤ 1.42 Kg (3.13 lb)		

NVR202EP Series

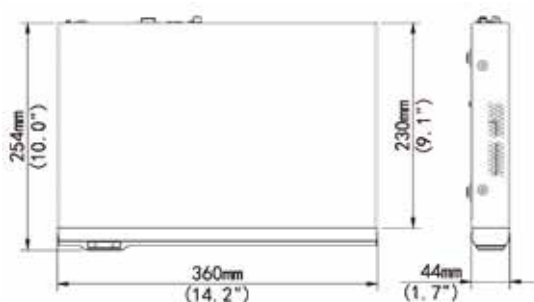
Network Video Recorder



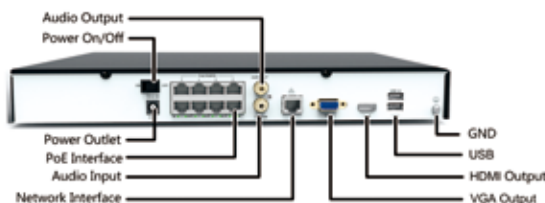
Key Features

- 8/16-ch IP video input
- 2 SATA up to 12 TB
- 8 RJ45 PoE+ Interfaces
- Third-party IP cameras supported with ONVIF conformance
- HDMI and VGA output up to 1080P
- Instant playback, Smart search
- DDNS, P2P, Email, UPnP, NTP, DHCP, PPPoE
- Mobile App access, Cloud upgrade

Dimensions



Rear Panel



Specifications

	NVR202-08EP	NVR202-16EP
Video and Audio		
IP Video Input	8-ch	16-ch
Two-way audio Input	1-ch, RCA	
Network		
Incoming bandwidth	80Mbps	160Mbps
Outgoing bandwidth	96Mbps	
Remote connection	128	
Video/Audio Output		
HDMI/VGA Output	HDMI/VGA: 1920 × 1080p/60Hz, 1920 × 1080p/50Hz, 1600 × 1200/60Hz, 1280 × 1024/60Hz, 1280 × 720/60Hz, 1024 × 768/60Hz	
Recording Resolution	4MP/3MP/1080p/960p/720p/D1/2CIF/CIF	
Audio Output	1-ch, RCA	
Synchronous Playback	8-ch	16-ch
Decoding		
Compression	H.264	
Live view/ Playback	12MP/8MP/6MP/5MP/4MP/3MP/1080p/960p/720p/ D1/2CIF/CIF	
Capability	4 × 12MP @ 20, 4 × 4MP @ 20, 6 × 1080p @ 25, 16 × 720p @ 25	
Hard Disk		
SATA	2 SATA interfaces	
Capacity	up to 6TB for each disk	
External Interface		
Network Interface	1 RJ-45 10M/100M/1000M self-adaptive Ethernet Interface	
Network Function	HTTP, TCP/IP, IPV4, UPNP, RTSP, UDP, SMTP, NTP, DHCP, DNS, IP Filter, PPPoE, DDNS, FTP, IP Server, P2P	
USB Interface	Rear panel: 1 × USB2.0, 1 × USB3.0	
PoE		
Interface	8 independent 100 Mbps PoE network interfaces	
Supported Standard	IEEE 802.3at	
General		
Power Supply	52V DC	
Consumption (without HDD and PoE)	≤ 8 W	
Working Temperature	-10° C ~ +55° C (+14° F ~ +131° F)	
Working Humidity	10% ~ 90%	
Dimensions	44 × 360 × 254mm (1.7" × 14.2" × 10.0")	
Weight (without HDD)	≤ 1.47Kg (3.24 lb)	

NVR204E Series

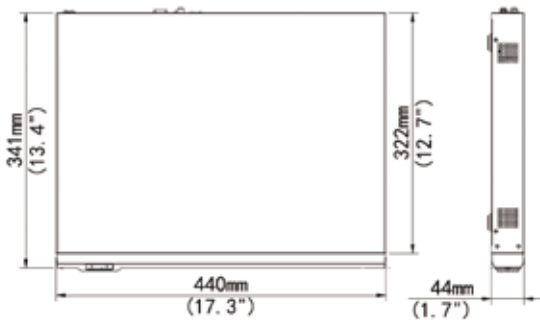
Network Video Recorder



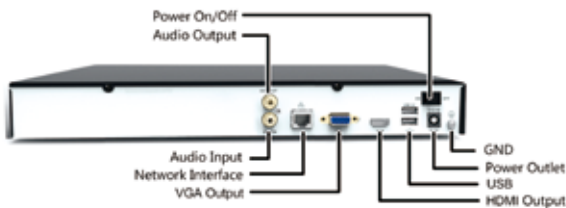
Key Features

- 16/32-channel input
- Third-party IP cameras supported with ONVIF conformance
- HDMI and VGA output up to 1080P
- Up to 4 Megapixels resolution recording
- Accurate retrieval, instant playback
- 4 SATA HDD up to 24 TB
- Support for P2P, UPnP, NTP, DHCP, PPPoE
- Support for mobile client access

Dimensions



Rear Panel



Specifications

	NVR204-16E	NVR204-32E
Video and Audio		
IP Video Input	16-ch	32-ch
Two-way audio Input	1-ch, RCA	
Network		
Incoming bandwidth	160Mbps	200Mbps
Outgoing bandwidth	96Mbps	
Remote connection	128	
Video/Audio Output		
HDMI/VGA Output	HDMI/VGA: 1920 × 1080p/60Hz, 1920 × 1080p/50Hz, 1600 × 1200/60Hz, 1280 × 1024/60Hz, 1280 × 720/60Hz, 1024 × 768/60Hz	
Recording Resolution	4MP/3MP/1080p/960p/720p/D1/2CIF/CIF	
Audio Output	1-ch, RCA	
Synchronous Playback	16-ch	
Decoding		
Compression	H.264	
Live view/ Playback	4MP/3MP/1080p/960p/720p/D1/2CIF/CIF	
Capability	4 × 4MP @ 20, 6 × 1080p @ 25, 16 × 720p @ 25, 32 × D1	
Hard Disk		
SATA	4 SATA interfaces	
Capacity	up to 6TB for each disk	
External Interface		
Network Interface	2 RJ-45 10M/100M/1000M self-adaptive Ethernet Interfaces	
Network Function	HTTP, TCP/IP, IPV4, UPNP, RTSP, UDP, SMTP, NTP, DHCP, DNS, IP Filter, PPPoE, DDNS, FTP, IP Server, P2P	
Serial Interface	1 x RS-485	
USB Interface	Front panel: 1 × USB2.0 Rear panel: 1 × USB2.0, 1 × USB3.0	
Alarm In	8-ch	
Alarm Out	2-ch	
General		
Power Supply	12V DC	
Consumption (without HDD)	≤ 8 W	
Working Temperature	-10° C ~ + 55° C (+14° F ~ +131° F)	
Working Humidity	10% ~ 90%	
Dimensions	44 × 440 × 341mm (1.7" × 17.3" × 13.4")	
Weight (without HDD)	≤ 3.09 Kg (6.81 lb)	

NVR208 Series

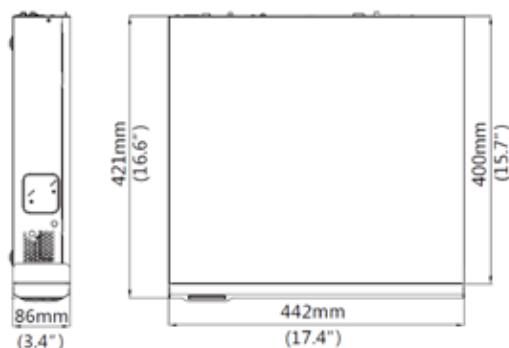
Network Video Recorder



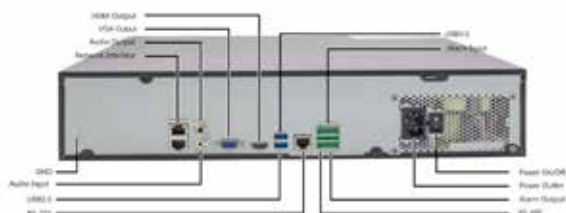
Key Features

- 16/32-channel input
- Third-party IP cameras supported with ONVIF conformance
- HDMI and VGA output up to 1080P
- Up to 4 Megapixels resolution recording
- Accurate retrieval, instant playback
- 8 SATA HDD up to 48 TB
- Support for P2P, UPnP, NTP, DHCP, PPPoE
- Support for mobile client access

Dimensions



Rear Panel



Specifications

	NVR208-16	NVR208-32
Video and Audio		
IP Video Input	16-ch	32-ch
Two-way audio Input	1-ch, RCA	
Network		
Incoming bandwidth	160Mbps	200Mbps
Outgoing bandwidth	96Mbps	
Remote connection	128	
Video/Audio Output		
HDMI/VGA Output	HDMI/VGA: 1920 × 1080p/60Hz, 1920 × 1080p/50Hz, 1600 × 1200/60Hz, 1280 × 1024/60Hz, 1280 × 720/60Hz, 1024 × 768/60Hz	
Recording Resolution	4MP/3MP/1080p/960p/720p/D1/2CIF/CIF	
Audio Output	1-ch, RCA	
Synchronous Playback	16-ch	
Decoding		
Compression	H.264	
Live view/ Playback	4MP/3MP/1080p/960p/720p/D1/2CIF/CIF	
Capability	4 × 4MP @ 20, 6 × 1080p @ 25, 16 × 720p @ 25, 32 × D1	
Hard Disk		
SATA	8 SATA interface	
Capacity	up to 6TB for each disk	
External Interface		
Network Interface	2 RJ-45 10M/100M/1000M self-adaptive Ethernet Interfaces	
Network Function	HTTP, TCP/IP, IPV4, UPNP, RTSP, UDP, SMTP, NTP, DHCP, DNS, IP Filter, PPPOE, DDNS, FTP, IP Server, P2P	
Serial Interface	1 × RS-232, 1 × RS-485	
USB Interface	Front panel: 1 × USB2.0 Rear panel: 1 × USB2.0, 1 × USB3.0	
Alarm In	8-ch	
Alarm Out	2-ch	
General		
Power Supply	100 ~ 240 VAC	
Consumption (without HDD)	≤ 15 W	
Working Temperature	-10° C ~ +55° C (+14° F ~ +131° F)	
Working Humidity	10% ~ 90%	
Dimensions	86 × 442 × 421mm (3.4" × 17.4" × 16.6")	
Weight (without HDD)	≤ 5.16Kg (11.38 lb)	

NVR301-P Series

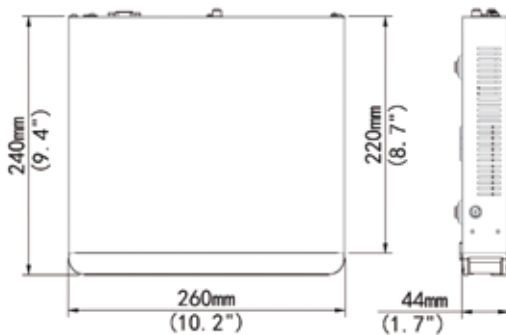
Network Video Recorder



Key Features

- 4/8-channel input
- Plug & Play with 4/8 independent PoE network interfaces
- Third-party IP cameras supported with ONVIF conformance
- Support 1-ch HDMI, 1-ch VGA, HDMI at up to 4K (3840 × 2160) resolution
- Up to 8 Megapixels resolution recording
- Support H.265/H.264 video formats
- Accurate retrieval, instant playback
- 1 SATA HDD up to 6 TB
- Support for P2P, UPnP, NTP, DHCP, PPPoE
- Support for mobile client access

Dimensions



Rear Panel



Specifications

	NVR301-04-P4	NVR301-08-P8
Video and Audio		
IP Video Input	4-ch	8-ch
Two-way audio Input	1-ch, RCA	
Network		
Incoming bandwidth	40Mbps	60Mbps
Outgoing bandwidth	64Mbps	64Mbps
Remote connection	128	
Video/Audio Output		
HDMI/VGA Output	HDMI: 4K (3840 × 2160) /30Hz, 1920 × 1080p/60Hz, 1920 × 1080p/50Hz, 1600 × 1200/60Hz, 1280 × 1024/60Hz, 1280 × 720/60Hz, 1024 × 768/60Hz VGA: 1920 × 1080p/60Hz, 1920 × 1080p/50Hz, 1600 × 1200/60Hz, 1280 × 1024/60Hz, 1280 × 720/60Hz, 1024 × 768 /60Hz	
Audio Output	1-ch, RCA	
Recording Resolution	8MP/6MP/5MP/4MP/3MP/1080p/960p/720p/D1/2CIF/ CIF	
Synchronous Playback	4-ch	8-ch
Decoding		
Compression	H.265/H.264	
Live view/ Playback	8MP/6MP/5MP/4MP/3MP/1080p/960p/720p/D1/2CIF/ CIF	
Capability	1 × 4K @ 30, 3 × 4MP @ 20, 4 × 1080p @ 25, 8 × 720p @ 25, 16 × D1	
Hard Disk		
SATA	1 SATA interface	
Capacity	up to 6TB for each disk	
External Interface		
Network Interface	1 RJ-45 10M/100M self-adaptive Ethernet Interface	
Network Function	HTTP, TCP/IP, IPV4, UPNP, RTSP, UDP, SMTP, NTP, DHCP, DNS, IP Filter, PPPOE, DDNS, FTP, IP Server, P2P	
USB Interface	Rear panel: 2 × USB2.0, Front panel: 1 × USB2.0	
Alarm In	4-ch	
Alarm Out	1-ch	
PoE		
Interface	4 independent 100 Mbps PoE network interfaces	8 independent 100 Mbps PoE network interfaces
Supported Standard	IEEE 802.3at, IEEE 802.3af	
General		
Power Supply	48V DC	52V DC
Consumption (without HDD)	≤ 5 W	
PoE	Max 30W for single port Max 54W in total (13.5W for each)	Max 30W for single port Max 108W in total (13.5W for each)
Working Temperature	-10° C ~ +55° C (+14° F ~ +131° F)	
Working Humidity	10% ~ 90%	
Dimensions	44 × 260 × 240mm (1.7" × 10.2" × 9.4")	
Weight (without HDD)	≤ 1.12 Kg (2.47 lb)	

NVR301-L-P Series

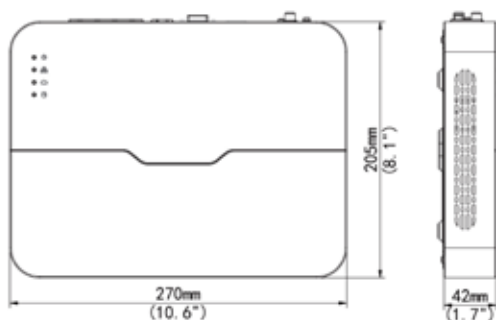
Network Video Recorder



Key Features

- 4/8-channel input
- Plug & Play with 4/8 independent PoE network interfaces
- Third-party IP cameras supported with ONVIF conformance
- Support 1-ch HDMI, 1-ch VGA, HDMI at up to 4K (3840 × 2160) resolution
- Up to 8 Megapixels resolution recording
- Support H.265/H.264 video formats
- Accurate retrieval, instant playback
- 1 SATA HDD up to 6 TB
- Support for P2P, UPnP, NTP, DHCP, PPPoE
- Support for mobile client access

Dimensions



Rear Panel



Specifications

	NVR301-04L-P4	NVR301-08L-P8
Video and Audio		
IP Video Input	4-ch	8-ch
Two-way audio Input	1-ch, RCA	
Network		
Incoming bandwidth	40Mbps	60Mbps
Outgoing bandwidth	64Mbps	64Mbps
Remote connection	128	
Video/Audio Output		
HDMI/VGA Output	HDMI: 4K (3840 × 2160) /30Hz, 1920 × 1080p/60Hz, 1920 × 1080p/50Hz, 1600 × 1200/60Hz, 1280 × 1024/60Hz, 1280 × 720/60Hz, 1024 × 768/60Hz VGA: 1920 × 1080p/60Hz, 1920 × 1080p/50Hz, 1600 × 1200/60Hz, 1280 × 1024/60Hz, 1280 × 720/60Hz, 1024 × 768/60Hz	
Audio Output	1-ch, RCA	
Recording Resolution	8MP/6MP/5MP/4MP/3MP/1080p/960p/720p/D1/2CIF/CIF	
Synchronous Playback	4-ch	8-ch
Decoding		
Compression	H.265/H.264	
Live view/ Playback	8MP/6MP/5MP/4MP/3MP/1080p/960p/720p/D1/2CIF/CIF	
Capability	1 × 4K @ 30, 3 × 4MP @ 20, 4 × 1080p @ 25, 8 × 720p @ 25, 16 × D1	
Hard Disk		
SATA	1 SATA interface	
Capacity	up to 6TB for each disk	
External Interface		
Network Interface	1 RJ-45 10M/100M self-adaptive Ethernet Interface	
Network Function	HTTP, TCP/IP, IPV4, UPNP, RTSP, UDP, SMTP, NTP, DHCP, DNS, IP Filter, PPPoE, DDNS, FTP, IP Server, P2P	
USB Interface	Rear panel: 2 x USB2.0	
PoE		
Interface	4 independent 100 Mbps PoE network interfaces	8 independent 100 Mbps PoE network interfaces
Supported Standard	IEEE 802.3at, IEEE 802.3af	
General		
Power Supply	48V DC	52V DC
Consumption (without HDD)	≤ 8 W	
PoE	Max 30W for single port Max 54W in total (13.5W for each)	Max 30W for single port Max 108W in total (13.5W for each)
Working Temperature	-10° C ~ +55° C (+14° F ~ +131° F)	
Working Humidity	10% ~ 90%	
Dimensions	42 × 205 × 205mm (1.7" × 8.1" × 8.1")	42 × 270 × 205mm (1.7" × 10.6" × 8.1")
Weight (without HDD)	0.59kg (1.3 lb)	≤ 0.68 Kg (1.50 lb)

NVR301E Series

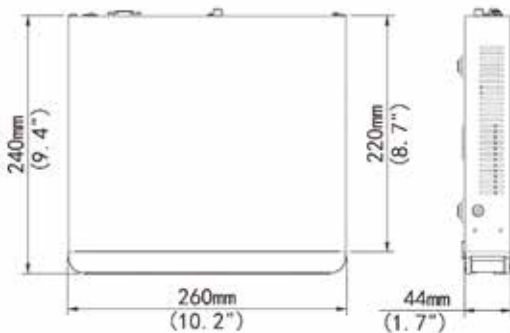
Network Video Recorder



Key Features

- 4/8/16-ch IP video input
- 1 SATA up to 6 TB
- H.265, 4K
- Third-party IP cameras supported with ONVIF conformance
- HDMI and VGA output up to 1080P
- Instant playback, Smart search
- DDNS, P2P, Email, UPnP, NTP, DHCP, PPPoE
- Mobile App access, Cloud upgrade

Dimensions



Rear Panel



Specifications

	NVR301-04E	NVR301-08E	NVR301-16E
Video and Audio			
IP Video Input	4-ch	8-ch	16-ch
Two-way audio Input	1-ch, RCA		
Network			
Incoming bandwidth	40Mbps	60Mbps	80Mbps
Outgoing bandwidth	64Mbps	64Mbps	80Mbps
Remote connection	128		
Video/Audio Output			
HDMI/VGA Output	HDMI: 4K (3840 × 2160)/30Hz, 1920 × 1080p/60Hz, 1920 × 1080p/50Hz, 1600 × 1200/60Hz, 1280 × 1024/60Hz, 1280 × 720/60Hz, 1024 × 768/60Hz VGA: 1920 × 1080p/60Hz, 1920 × 1080p/50Hz, 1600 × 1200/60Hz, 1280 × 1024/60Hz, 1280 × 720/60Hz, 1024 × 768/60Hz		
Audio Output	1-ch, RCA		
Recording Resolution	12MP/8MP/6MP/5MP/4MP/3MP/1080p/960p/720p/ D1/2CIF/CIF		
Synchronous Playback	4-ch	8-ch	16-ch
Decoding			
Compression	H.265/H.264		
Live view/ Playback	12MP/8MP/6MP/5MP/4MP/3MP/1080p/960p/720p/ D1/2CIF/CIF		
Capability	1 × 12MP @ 20, 1 × 4K @ 30, 3 × 4MP @ 20, 4 × 1080p @ 25, 8 × 720p @ 25, 16 × D1		
Hard Disk			
SATA	1 SATA interface		
Capacity	up to 6TB for each disk		
External Interface			
Network Interface	1 RJ-45 10M/100M self-adaptive Ethernet Interface		
Network Function	HTTP, TCP/IP, IPV4, UPNP, RTSP, UDP, SMTP, NTP, DHCP, DNS, IP Filter, PPPoE, DDNS, FTP, IP Server, P2P		
USB Interface	Rear panel: 2 × USB2.0, Front panel: 1 × USB2.0		
Alarm In	4-ch		
Alarm Out	1-ch		
General			
Power Supply	12V DC		
Consumption (without HDD)	≤ 8 W		
Working Temperature	-10° C ~ + 55° C (+14° F ~ +131° F)		
Working Humidity	10% ~ 90%		
Dimensions	44 × 260 × 240mm (1.7" × 10.2" × 9.4")		
Weight (without HDD)	≤ 1.12 Kg (2.47 lb)		

NVR302EP Series

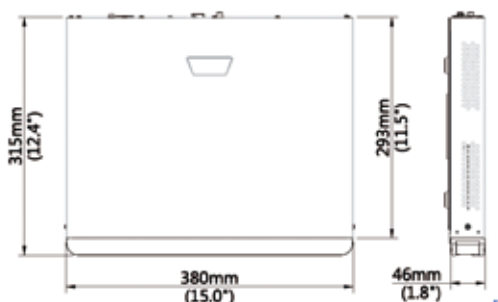
Network Video Recorder



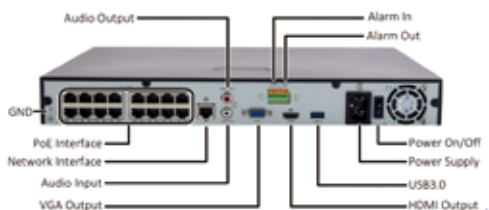
Key Features

- 8/16-channel input
- Third-party IP cameras supported with ONVIF conformance
- Support 1-ch HDMI, 1-ch VGA, HDMI at up to 4K (3840 × 2160) resolution
- Up to 8 Megapixels resolution recording
- Support H.265/H.264 video formats
- Accurate retrieval, instant playback
- 2 SATA HDD up to 12TB
- Plug & Play with up to 16 independent PoE network interfaces
- Support for P2P, UPnP, NTP, DHCP, PPPoE
- Support for mobile client access

Dimensions



Rear Panel



Specifications

	NVR302-08E-P8	NVR302-16E-P8	NVR302-16E-P16
Video and Audio			
IP Video input	8-ch	16-ch	16-ch
Two-way audio input	1-ch, RCA		
Network			
Incoming bandwidth	80Mbps	160Mbps	160Mbps
Outgoing bandwidth	160Mbps	320Mbps	320Mbps
Remote connection	128		
Video/Audio Output			
HDMI/VGA output	VGA: 1920 × 1080p/60Hz, 1920 × 1080p/50Hz 1600 × 1200/60Hz, 1280 × 1024/60Hz, 1280 × 720/60Hz, 1024 × 768/60Hz HDMI: 4K (3840 × 2160) /60Hz, 4K (3840x2160) /30Hz, 1920 × 1080p/60Hz, 1920 × 1080p/50Hz, 1600 × 1200/60Hz, 1280 × 1024/60Hz, 1280 × 720/60Hz, 1024 × 768/60Hz		
Audio Output	1-ch, RCA		
Recording Resolution	12MP/8MP/6MP/5MP/4MP/3MP/1080p/960p/720p/D1/2CIF/CIF		
Synchronous Playback	8-ch	16-ch	16-ch
Decoding			
Compression	H.265/H.264		
Live view/ Playback	12MP/8MP/6MP/5MP/4MP/3MP/1080p/960p/720p/D1/2CIF/CIF		
Capability	4 × 12MP @ 20, 4 × 4K @ 30, 8 × 4MP @ 20, 16 × 1080p @ 25, 32 × 720p @ 25		
Hard Disk			
SATA	2 SATA interfaces		
Capacity	up to 6TB for each disk		
External Interface			
Network Interface	1 RJ-45 10M/100M/1000M self-adaptive Ethernet Interface		
Network Function	HTTP, HTTPS, UPNP, RTSP, RTP, SMTP, NTP, DHCP, DNS, IP Filter, PPPoE, DDNS, FTP, IP Server, P2P		
Serial Interface	1 × RS-485		
USB Interface	Front panel: 1 × USB2.0, Rear panel: 1 × USB3.0		
Alarm In	4-ch		
Alarm Out	1-ch		
PoE			
Interface	8 independent 100 Mbps PoE network interfaces	16 independent 100 Mbps PoE network interfaces	
Supported Standard	IEEE 802.3af/at		
General			
Power Supply	100 ~ 240 VAC		
Consumption (without HDD and PoE)	≤ 20 W		
PoE	Max 30W for single port Max 200W in total (12.5W for each)		
Working Temperature	-10° C ~ + 55° C (+14° F ~ +131° F)		
Working Humidity	10% ~ 90%		
Dimensions	49 × 380 × 315mm		
Weight (without HDD)	2.48kg		

NVR304E Series

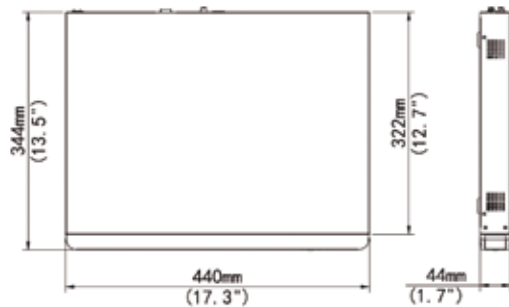
Network Video Recorder



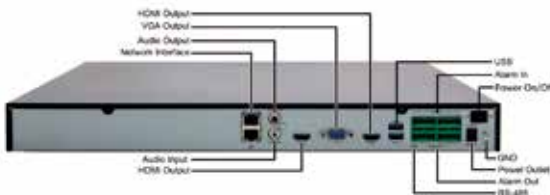
Key Features

- 16/32-channel input
- Third-party IP cameras supported with ONVIF conformance
- Support 2-ch HDMI, 1-ch VGA, HDMI2 at up to 4K (3840 × 2160) resolution
- Up to 8 Megapixels resolution recording
- Support H.265/H.264 video formats
- Accurate retrieval, instant playback
- 4 SATA HDD up to 24 TB
- Support for P2P, UPnP, NTP, DHCP, PPPoE
- Support for mobile client access

Dimensions



Rear Panel



Specifications

	NVR304-16E	NVR304-32E
Video and Audio		
IP Video Input	16-ch	32-ch
Two-way audio Input	1-ch, RCA	
Network		
Incoming bandwidth	160Mbps	320Mbps
Outgoing bandwidth	320Mbps	
Remote connection	128	
Video/Audio Output		
HDMI/VGA Output	HDMI1/VGA: 1920 × 1080p/60Hz, 1920 × 1080p/50Hz, 1600 × 1200/60Hz, 1280 × 1024/60Hz, 1280 × 720/60Hz, 1024 × 768/60Hz HDMI2: 4K (3840 × 2160) /60Hz, 4K (3840 × 2160) /30Hz, 1920 × 1080p/60Hz, 1920 × 1080p/50Hz, 1600 × 1200/60Hz, 1280 × 1024/60Hz, 1280 × 720/60Hz, 1024 × 768/60Hz	
Audio Output	1-ch, RCA	
Recording Resolution	12MP/8MP/6MP/5MP/4MP/3MP/1080p/960p/720p/ D1/2CIF/CIF	
Synchronous Playback	16-ch	
Decoding		
Compression	H.265/H.264	
Live view/ Playback	12MP/8MP/6MP/5MP/4MP/3MP/1080p/960p/720p/ D1/2CIF/CIF	
Capability	4 × 12MP @ 20, 4 × 4K @ 30, 8 × 4MP @ 20, 16 × 1080p @ 25, 32 × 720p @ 25	
Hard Disk		
SATA	4 SATA interfaces	
Capacity	Up to 6TB for each disk	
External Interface		
Network Interface	2 RJ-45 10M/100M/1000M self-adaptive Ethernet Interfaces	
Network Function	HTTP, TCP/IP, IPV4, UPnP, RTSP, UDP, SMTP, NTP, DHCP, DNS, IP Filter, PPPoE, DDNS, FTP, IP Server, P2P	
Serial Interface	1 x RS-485	
USB Interface	Front panel: 1 x USB2.0 Rear panel: 1 x USB2.0, 1 x USB3.0	
Alarm In	16-ch	
Alarm Out	4-ch	
General		
Power Supply	12V DC	
Consumption (without HDD)	≤ 12 W	
Working Temperature	-10° C ~ +55° C (+14° F ~ +131° F)	
Working Humidity	10% ~ 90%	
Dimensions	44 × 440 × 344mm (1.7" × 17.3" × 13.5")	
Weight (without HDD)	≤ 3.14 Kg (6.92 lb)	

NVR304EP Series

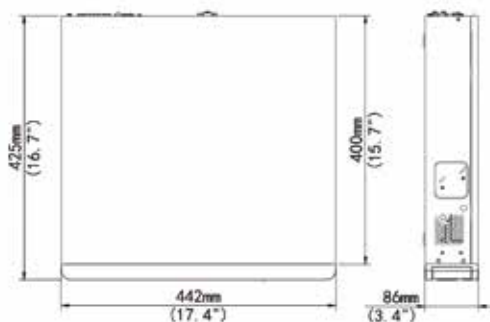
Network Video Recorder



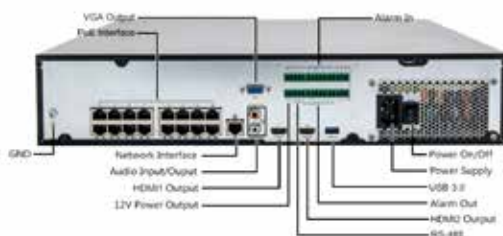
Key Features

- 16/32-channel input
- Support 2-ch HDMI, 1-ch VGA, HDMI2 at up to 4K (3840 × 2160) resolution
- Up to 8 Megapixels resolution recording
- Support H.265/H.264 video formats
- 4 SATA HDD up to 24TB
- Support 12V Power output
- Plug & Play with 16 independent PoE network interfaces
- Support P2P, UPnP, NTP, DHCP, PPPoE

Dimensions



Rear Panel



Specifications

	NVR304-16EP	NVR304-32EP
Video and Audio		
IP Video input	16-ch	32-ch
Two-way audio input	1-ch, RCA	
Network		
Incoming bandwidth	160Mbps	320Mbps
Outgoing bandwidth	320Mbps	
Remote connection	128	
Video/Audio Output		
HDMI/VGA output	HDMI1/VGA: 1920 × 1080p/60Hz, 1920 × 1080p/50Hz, 1600 × 1200/60Hz, 1280 × 1024/60Hz, 1280 × 720/60Hz, 1024 × 768/60Hz HDMI2: 4K (3840 × 2160) /60Hz, 4K (3840 × 2160) /30Hz, 1920 × 1080p/60Hz, 1920 × 1080p/50Hz, 1600 × 1200/60Hz, 1280 × 1024/60Hz, 1280 × 720/60Hz, 1024 × 768/60Hz	
Audio Output	1-ch, RCA	
Recording Resolution	12MP/8MP/6MP/5MP/4MP/3MP/1080p/960p/720p/ D1/2CIF/CIF	
Synchronous Playback	16-ch	
Decoding		
Compression	H.265/H.264	
Live view/ Playback	12MP/8MP/6MP/5MP/4MP/3MP/1080p/960p/720p/ D1/2CIF/CIF	
Capability	4 × 12MP @ 20, 4 × 4K @ 30, 8 × 4MP @ 20, 16 × 1080p @ 25, 32 × 720p @ 25	
Hard Disk		
SATA	4 SATA interfaces	
Capacity	up to 6TB for each disk	
External Interface		
Network Interface	1 RJ-45 10M/100M/1000M self-adaptive Ethernet Interface	
Network Function	HTTP, HTTPS, UPnP, RTSP, RTP, SMTP, NTP, DHCP, DNS, IP Filter, PPPoE, DDNS, FTP, IP Server, P2P	
Serial Interface	1 x RS-485	
USB Interface	Front panel: 2 × USB2.0 Rear panel: 1 × USB3.0	
Alarm In	16-ch	
Alarm Out	4-ch	
Power Output	12 VDC	
PoE		
Interface	16 independent 100 Mbps PoE network interfaces	
Supported Standard	IEEE 802.3at	
General		
Power Supply	100 ~ 240 VAC	
Consumption (without HDD and PoE)	≤ 20 W	
PoE	Max 30W for single port Max 200W in total (12.5W for each)	
Working Temperature	-10° C ~ + 55° C (+14° F ~ +131° F)	
Working Humidity	10% ~ 90%	
Dimensions	86 × 442 × 425mm (3.4" × 17.4" × 16.7")	
Weight (without HDD)	≤ 5.24 Kg (11.55 lb)	

NVR308E Series

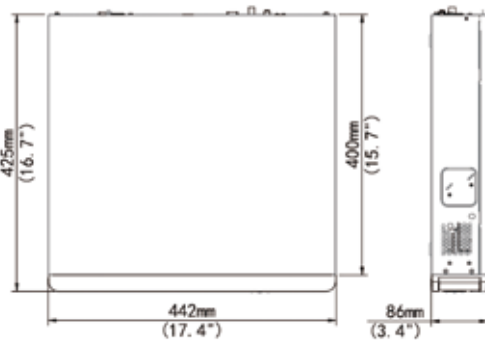
Network Video Recorder



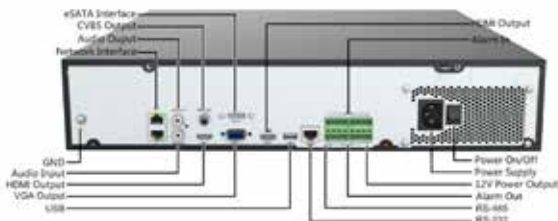
Key Features

- 16/32/64-channel input
- Third-party IP cameras supported with ONVIF conformance
- Support 2-ch HDMI, 1-ch VGA, 1-ch CVBS, HDMI2 at up to 4K (3840 × 2160) resolution
- Up to 8 Megapixels resolution recording
- Support H.265/H.264 video formats
- Accurate retrieval, instant playback
- SATA HDD up to 48TB
- Support for 12V Power output
- Support for P2P, UPnP, NTP, DHCP, PPPoE
- Support for mobile client access

Dimensions



Rear Panel



Specifications

	NVR308-16E	NVR308-32E	NVR308-64E
Video and Audio			
IP Video Input	16-ch	32-ch	64-ch
Two-way audio Input	1-ch, RCA		
Network			
Incoming bandwidth	160Mbps	320Mbps	
Outgoing bandwidth	320Mbps		
Remote connection	128		
Video/Audio Output			
HDMI/VGA Output	HDMI1/VGA: 1920 × 1080p/60Hz, 1920 × 1080p/50Hz, 1600 × 1200/60Hz, 1280 × 1024/60Hz, 1280 × 720/60Hz, 1024 × 768/60Hz HDMI2: 4K (3840 × 2160) /60Hz, 4K (3840 × 2160) /30Hz, 1920 × 1080p/60Hz, 1920 × 1080p/50Hz, 1600 × 1200/60Hz, 1280 × 1024/60Hz, 1280 × 720/60Hz, 1024 × 768/60Hz		
CVBS Output	1-ch, BNC		
Audio Output	1-ch, RCA		
Recording Resolution	12MP/8MP/6MP/5MP/4MP/3MP/1080p/960p/720p/ D1/2CIF/CIF		
Synchronous Playback	16-ch		
Decoding			
Compression	H.265/H.264		
Live view/ Playback	12MP/8MP/6MP/5MP/4MP/3MP/1080p/960p/720p/ D1/2CIF/CIF		
Capability	4 × 12MP @ 20, 4 × 4K @ 30, 8 × 4MP @ 20, 16 × 1080P @ 25, 32 × 720P @ 25, 64 × D1		
Hard Disk			
SATA	8 SATA interfaces		
Capacity	up to 6TB for each disk		
External Interface			
Network Interface	2 RJ-45 10M/100M/1000M self-adaptive Ethernet Interfaces		
Network Function	HTTP, TCP/IP, IPV4, UPnP, RTSP, UDP, SMTP, NTP, DHCP, DNS, IP Filter, PPPoE, DDNS, FTP, IP Server, P2P		
Serial Interface	1 × RS-232, 1 × RS-485		
USB Interface	Front panel: 2 × USB2.0, Rear panel: 1 × USB3.0		
Alarm In	16-ch		
Alarm Out	4-ch		
General			
Power Supply	100 ~ 240 VAC		
Consumption (without HDD)	≤ 20 W		
Working Temperature	-10° C ~ +55° C (+14° F ~ +131° F)		
Working Humidity	10% ~ 90%		
Dimensions	86mm × 442mm × 425mm (3.4" × 17.4" × 16.7")		
Weight (without HDD)	≤ 5.13 Kg (11.31 lb)		

NVR308R Series

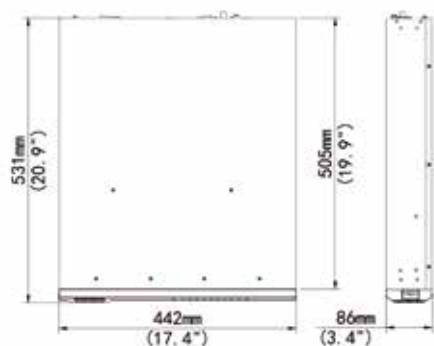
Network Video Recorder



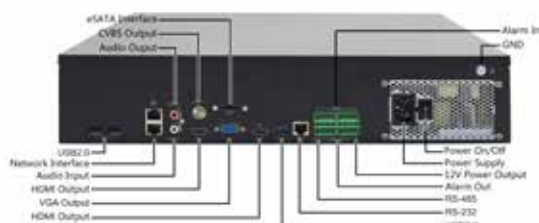
Key Features

- 32/64-channel input
- Third-party IP cameras supported with ONVIF conformance
- Support 2-ch HDMI, 1-ch VGA, 1-ch CVBS, HDMI2 at up to 4K (3840 × 2160) resolution
- Up to 8 Megapixels resolution recording
- Support H.265/H.264 video formats
- Accurate retrieval, instant playback
- Support HDD hot swap with RAID1, 5 storage scheme configurable
- 8 SATA HDD up to 48TB
- Support for 12V Power output
- Support for P2P, UPnP, NTP, DHCP, PPPoE
- Support for mobile client access

Dimensions



Rear Panel



Specifications

	NVR308-32R	NVR308-64R
Video and Audio		
IP Video Input	32-ch	64-ch
Two-way audio Input	1-ch, RCA	
Network		
Incoming bandwidth	320Mbps	
Outgoing bandwidth	320Mbps	
Remote connection	128	
Video/Audio Output		
HDMI/VGA Output	HDMI1/VGA: 1920 × 1080p/60Hz, 1920 × 1080p/50Hz, 1600 × 1200/60Hz, 1280 × 1024/60Hz, 1280 × 720 /60Hz, 1024 × 768/60Hz HDMI2: 4K (3840 × 2160) /60Hz, 4K (3840 × 2160) /30Hz, 1920 × 1080p/60Hz, 1920 × 1080p/50Hz, 1600 × 1200/60Hz, 1280 × 1024/60Hz, 1280 × 720/60Hz, 1024 × 768/60Hz	
CVBS Output	1-ch, BNC	
Audio Output	1-ch, RCA	
Recording Resolution	12MP/8MP/6MP/5MP/4MP/3MP/1080p/960p/720p/D1/2CIF/CIF	
Synchronous Playback	16-ch	
Decoding		
Compression	H.265/H.264	
Live view/ Playback	12MP/8MP/6MP/5MP/4MP/3MP/1080p/960p/720p/D1/2CIF/CIF	
Capability	4 × 12MP @ 20, 4 × 4K @ 30, 8 × 4MP @ 20, 16 × 1080P @ 25, 32 × 720P @ 25, 64 × D1	
Hard Disk		
SATA	8 SATA interfaces	
Capacity	Up to 6TB for each disk	
Disk array		
Array type	RAID1, RAID5	
External Interface		
Network Interface	2 RJ-45 10M/100M/1000M self-adaptive Ethernet Interfaces	
Network Function	HTTP, TCP/IP, IPV4, UPNP, RTSP, UDP, SMTP, NTP, DHCP, DNS, IP Filter, PPPOE, DDNS, FTP, IP Server, P2P	
Serial Interface	1 x RS-232, 1 x RS-485	
USB Interface	Rear panel: 2 × USB2.0, 1 × USB3.0	
Alarm In	16-ch	
Alarm Out	4-ch	
General		
Power Supply	100 ~ 240 VAC	
Consumption (without HDD)	≤ 20 W	
Working Temperature	-10° C ~ +55° C (+14° F ~ +131° F)	
Working Humidity	10% ~ 90%	
Dimensions	86mm × 442mm × 531mm (3.4" × 17.4" × 19.9")	
Weight (without HDD)	≤ 5.13 Kg (11.31 lb)	

NVR516 Series

Network Video Recorder



Key Features

- 64/128-channel input
- Third-party IP camera supported with ONVIF conformance
- Support 2-ch HDMI, 1-ch VGA, HDMI at up to 4K (3840 × 2160) resolution
- Up to 12 Megapixels resolution recording
- Support H.265/H.264 video formats
- Redundant power supply
- Accurate retrieval, instant playback
- 2 decoding cards optional, up to 12HDMI
- Support RAID1, RAID5
- 16 SATA HDD up to 96TB
- Support 2 miniSAS Interfaces
- Support 12V Power output
- Support P2P, UPnP, NTP, DHCP, PPPoE
- Support mobile client access

Rear Panel



(1) GND	(2) SFP Interface	(3) Adaptive Interface
(4) RS-232	(5) RS-485	(6) USB
(7) eSATA	(8) Audio Input	(9) HDMI Output
(10) Audio Output	(11) VGA Output	(12) miniSAS
(13) Power Button	(14) RST	(15) Alarm Input
(16) Alarm Output	(17) 12V DC Output	(18) Decoding Card 1 (optional)
(19) Power Supply 1	(20) Power Supply 2 (optional)	(21) Decoding Card 2 (optional)

Specifications

	NVR516-64	NVR516-128
Video and Audio		
IP Video Input	64-ch	128-ch
Two-way audio Input	1-ch, RCA	
Network		
Incoming bandwidth	384Mbps	512Mbps
Outgoing bandwidth	384Mbps	
Remote connection	128	
Video/Audio Output		
HDMI/VGA Output	VGA: 1920 × 1080p/60Hz, 1920 × 1080p/50Hz, 1600 × 1200/60Hz, 1280 × 1024/60Hz, 1280 × 720/60Hz, 1024 × 768/60Hz HDMI1: 4K (3840 × 2160) /60Hz, 4K (3840 × 2160) /30Hz, 1920 × 1080p/60Hz, 1920 × 1080p/50Hz, 1600 × 1200/60Hz, 1280 × 1024/60Hz, 1280 × 720/60Hz, 1024 × 768/60Hz HDMI2: 4K (3840 × 2160) /60Hz, 4K (3840 × 2160) /30Hz, 1920 × 1080p/60Hz, 1920 × 1080p/50Hz, 1600 × 1200/60Hz, 1280 × 1024/60Hz, 1280 × 720/60Hz, 1024 × 768/60Hz	
Recording Resolution	12MP/8MP/6MP/5MP/4MP/3MP/1080p/960p/720p/D1/2CIF/CIF	
Audio Output	1-ch, RCA	
Synchronous Playback	16-ch	
Decoding		
Compression	H.265/H.264	
Live view/Playback	12MP/8MP/6MP/5MP/4MP/3MP/1080p/960p/720p/D1/2CIF/CIF	
Capability	4 × 4K @ 30, 16 × 1080p @ 30, 36 × 720p @ 30, 64 × D1	
Hard Disk		
SATA	16 SATA interfaces	
Capacity	up to 6TB for each disk	
miniSAS	2 miniSAS ports	
Disk array		
Array type	RAID1, RAID5	
Number of array	8	
External Interface		
Network Interface	4 RJ-45 10M/100M/1000M adaptive Ethernet Interface 2 1000M SFP Ethernet Interface	
Network Function	HTTP, HTTPS, UPnP, RTSP, RTP, SMTP, NTP, DHCP, DNS, IP Filter, PPPoE, DDNS, FTP, IP Server, P2P	
Serial Interface	1 × RS-232, 1 × RS-485	
USB Interface	Rear panel: 4 × USB3.0	
Alarm In	24-ch	
Alarm Out	8-ch	
Decoding Card (optional)	2 slots (4 HDMI or 6 HDMI outputs per card)	
Power Output	12V	
General		
Power Supply 1	100 ~ 240V	
Power Supply 2 (optional)	Redundant power supply, 100 ~ 240V	
Consumption (without HDD)	≤ 50 W	
Working Temperature	-10° C ~ +55° C (+14° F ~ +131° F)	
Working Humidity	10% ~ 90%	
Chassis	19-inch rack-mounted 3U chassis	
Dimensions	131mm × 482mm × 477mm (5.1" × 19.0" × 18.8")	
Weight (without HDD)	≤ 10 Kg (22.05 lb)	



ENCODER & DECODER

DVS4104

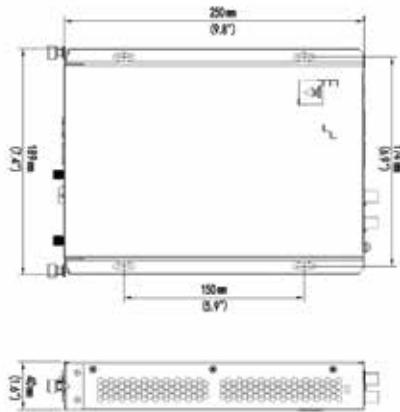
4-Channel Video Encoder



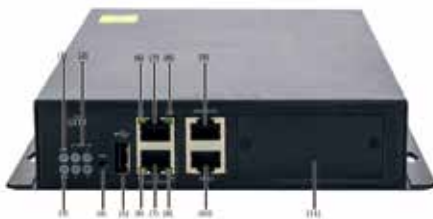
Key Features

- 4 channel video and audio inputs
- H.264 video compression
- Full channel 960H realtime encoding
- Dual-stream

Dimensions

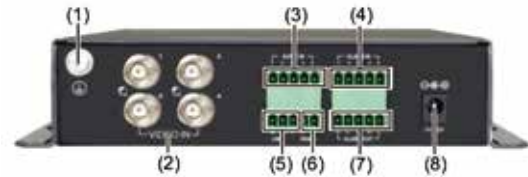


Rear Panel



Front view

(1) Running LED	(2) Encoding LED	(3) Alarm LED
(4) Reset button	(5) USB Port	(6) Active LED
(7) Ethernet Port	(8) Link LED	(9) RS-485 Port
(10) RS-232 Port	(11) Subcard Slot	



Rear view

(1) GND	(2) Video In Port	(3) Audio In Port
(4) Alarm In Port	(5) Line In Port	(6) RS-485 Port
(7) Alarm Out Port	(8) Power Input	

Specifications

DVS4104	
Video	
Video Input	4-ch, BNC
Video Standard	H.264
Video bit rate	960H/D1: 512 Kbit/s - 8192 Kbit/s; 2CIF: 256 Kbit/s - 4096 Kbit/s; CIF: 128 Kbit/s - 1024 Kbit/s
Video stream	1) H.264 single stream; 2) H.264 + H.264 dual streams
Audio	
Input	4-ch
Output	1-ch
Audio Standard	G.711μ
Sound track	Mono
Mute	Support
External Interface	
Network Interface	2 RJ-45 10M/100M adaptive Ethernet Interfaces
USB Interface	1 USB2.0 interface
Serial Interface	1 RS-232, 2 RS-485
Alarm Input	4-ch
Alarm Output	2-ch
General	
Power Supply	12V DC
Consumption	≤ 10 W (with subcard)
Working Temperature	-10° C ~ +60° C (+14° F ~ +140° F)
Working Humidity	10% ~ 90%
Weight	≤ 1.5 Kg (3.3 lb)
Dimensions	40 × 250 × 189mm (1.6" × 9.8" × 7.4")

DVS4116

16-Channel Video Encoder

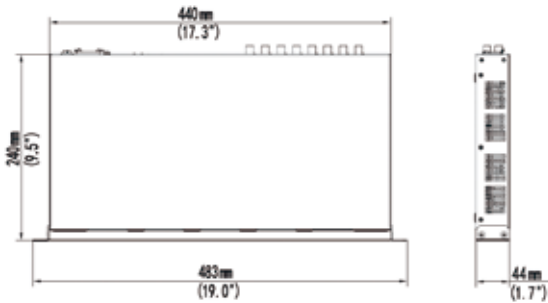


Rear view

Key Features

- 16 channel video and audio inputs
- H.264 video compression
- Full channel 960H realtime encoding
- Dual-stream

Dimensions



Rear Panel



Front view

(1) Running LED	(2) Alarm LED	(3) Encoding LED
-----------------	---------------	------------------

(1) Video In Port	(2) Line In Port	(3) Line Out port
(4) Audio In Port	(5) GND	(6) Alarm In Port
(7) Alarm Out Port	(8) Ethernet Port	(9) RS232/RS485 port
(10) USB Port	(11) Reset Button	(12) GND
(13) Power Input	(14) Power On/Off	

Specifications

DVS4116	
Video	
Video Input	16-ch, BNC
Video Standard	H.264
Video bit rate	960H/D1: 512 Kbit/s - 8192 Kbit/s; 2CIF: 256 Kbit/s - 4096 Kbit/s; CIF: 128 Kbit/s - 1024 Kbit/s
Video stream	1) H.264 single stream; 2) H.264 + H.264 dual streams
Audio	
Input	16-ch
Output	1-ch
Audio Standard	G.711μ
Sound track	Mono
Mute	Support
External Interface	
Network Interface	1 RJ-45 10M/100M adaptive Ethernet Interface
USB Interface	1 USB2.0 interface
Serial Interface	1 RS-232, 2 RS-485
Alarm Input	8-ch
Alarm Output	2-ch
General	
Power Supply	100 ~ 240 V AC
Consumption	20 W
Working Temperature	-10° C ~ +60° C (+14° F ~ +140° F)
Working Humidity	10% ~ 90%
Weight	≤ 3.0 Kg (6.6 lb)
Dimensions	44 × 440 × 240mm (1.7" × 17.3" × 9.5")

DC4304-IN

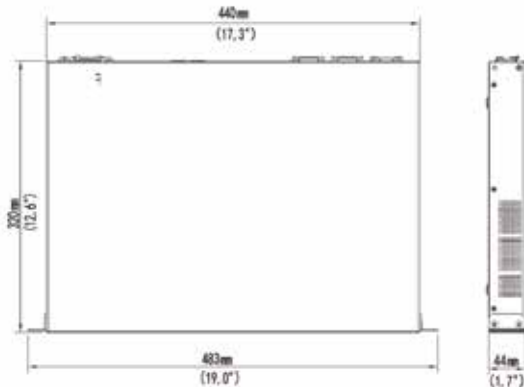
4-Channel High Definition Video Decoder



Key Features

- H.264 video compression
- ONVIF conformance stream decoding
- Video decoding resolution: 3MP/1080p/960p/720p/960H/D1/4CIF/2CIF/CIF/QCIF
- DVI-I output up to 1080p, compatible with DVI-D/VGA/YPbPr/RGBHV port
- HDMI and VGA Video input
- 1/3/4/7/9/16 display split
- Video Wall with 1 × 2, 2 × 1, 2 × 2

Dimensions



Rear Panel



DC4304-IN

(1) VGA IN port	(2) DVI-I OUT port	(3) RS-485 port
(4) ACT LED	(5) LINK LED	(6) AUDIO OUT port
(7) Alarm IN port	(8) DVI-D IN port	(9) RS-232 port
(10) Ethernet port	(11) LINE port	(12) Alarm OUT port
(13) GND	(14) AC power input	(15) Power switch

Specifications

DC4304-IN	
Video	
Video Output	4-ch, DVI-I
Video Input	1-ch, DVI-D and 1-ch, VGA
Video Output Resolution	1024 × 768/60HZ, 1280 × 720/60HZ, 1280 × 1024/60HZ, 1360 × 768/60HZ, 1600 × 1200/60HZ, 1920 × 1080p/60HZ, 1920 × 1080p/50HZ
Video Compression	H.264
Video Decoding Resolution	3MP, 1080p, 1080i, 960p, 720p, 960H, D1, 4CIF, 2CIF, CIF, QCIF
Display Split	1/3/4/7/9/16
Decoding Capability	4 × 300W @ 30, 4 × 1080P @ 60, 8 × 1080P @ 30, 16 × 720P @ 30, 36 × D1, 64 × CIF
Video Wall	1 × 2, 2 × 1, 2 × 2
Audio	
Input	1-ch
Output	4-ch
Audio Compression	G.711μ, G.711a
Sound track	Mono
Mute	Support
External Interface	
Network Interface	2 RJ-45 10M/100M/1000M adaptive Ethernet Interfaces
Serial Interface	1 × RS-232, 2 × RS-485
Alarm Input	8-ch
Alarm Output	6-ch
General	
Power Supply	100 ~ 240 V AC
Consumption	50 W
Working Temperature	-10° C ~ +60° C (+14° F ~ +140° F)
Working Humidity	10% ~ 90%
Weight	≤ 4.0 Kg (8.82 lb)
Dimensions (H x D x W)	44 × 320 × 440mm (1.7" × 12.6" × 17.3")

DC4308-IN

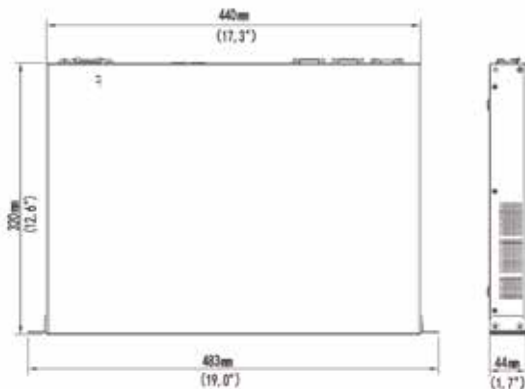
8-Channel High Definition Video Decoder



Key Features

- H.264 video compression
- ONVIF conformance stream decoding
- Video decoding resolution: 3MP/1080p/960p/720p/960H/D1/4CIF/2CIF/CIF/QCIF
- DVI-I output up to 1080p,
- compatible with DVI-D/VGA/YPbPr/RGBHV port
- HDMI and VGA Video input
- 1/4/9/16 display split
- Video Wall with 1 × 2, 2 × 1, 2 × 2, 2 × 3, 2 × 4, 4 × 2

Dimensions



Rear Panel



DC4308-IN

(1) VGA IN port	(2) DVI-I OUT port	(3) RS-485 port
(4) ACT LED	(5) LINK LED	(6) AUDIO OUT port
(7) Alarm IN port	(8) DVI-D IN port	(9) RS-232 port
(10) Ethernet port	(11) LINE port	(12) Alarm OUT port
(13) GND	(14) AC power input	(15) Power switch

Specifications

DC4308-IN	
Video	
Video Output	8-ch, DVI-I
Video Input	1-ch, DVI-D and 1-ch, VGA
Video Output Resolution	1024 × 768/60HZ, 1280 × 720/60HZ, 1280 × 1024/60HZ, 1360 × 768/60HZ, 1600 × 1200/60HZ, 1920 × 1080p/60HZ, 1920 × 1080p/50HZ
Video Compression	H.264
Video Decoding Resolution	3MP, 1080p, 1080i, 960p, 720p, 960H, D1, 4CIF, 2CIF, CIF, QCIF
Display Split	1/3/4/7/9/16
Decoding Capability	8 × 300W @ 30, 8 × 1080P @ 60, 16 × 1080P @ 30, 32 × 720P @ 30, 72 × D1, 128 × CIF
Video Wall	1 × 2, 2 × 1, 2 × 2, 2 × 3, 2 × 4, 4 × 2
Audio	
Input	1-ch
Output	8-ch
Audio Compression	G.711μ, G.711a
Sound track	Mono
Mute	Support
External Interface	
Network Interface	2 RJ-45 10M/100M/1000M adaptive Ethernet Interfaces
Serial Interface	1 × RS-232, 2 × RS-485
Alarm Input	8-ch
Alarm Output	6-ch
General	
Power Supply	100 ~ 240 V AC
Consumption	70 W
Working Temperature	-10° C ~ +60° C (+14° F ~ +140° F)
Working Humidity	10% ~ 90%
Weight	≤ 4.0 Kg (8.82 lb)
Dimensions (H x D x W)	44 × 320 × 440mm (1.7" × 12.6" × 17.3")

DC5301

Single Channel High Definition Video Decoder



Key Features

The output of 1-ch HDMI, 1-ch VGA, 1-ch CVBS, HDMI at up to 4K (3840 × 2160) resolution

Decode video stream at resolution of 12MP, 8MP, 6MP, 5MP, 4MP, 3MP, 1080P, 960P, 720P, D1, and CIF

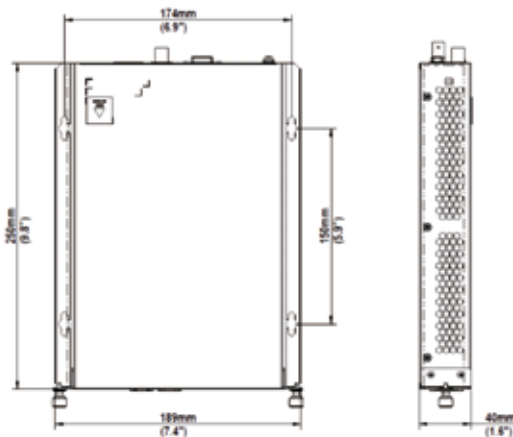
Decode video stream in H.265/ H.264/ MPEG4/ MPEG2/ MJPG

Decode audio in G.711A/ G.711μ format

Standard ONVIF video stream supported

1/2/3/4/7/9/16 display split

Dimensions



Rear Panel



Front view

(1) Running LED	(2) Reset button	(3) Alarm LED
(4) Decoding LED	(5) USB port	(6) Active LED
(7) Ethernet port	(8) Link LED	(9) RS-485/422 port
(10) RS-232 port	(11) Subcard slot	



Rear view

(1) GND	(2) VGA OUT port	(3) HDMI OUT port
(4) CVBS OUT port	(5) LINE IN port	(6) ALARM IN port
(7) ALARM OUT port	(8) AUDIO port	(9) Power IN port

Specifications

DC5301	
Video	
HDMI Output	1-ch, 3840 × 2160 @ 60, 3840 × 2160 @ 30, 1920 × 1080p @ 60, 1920 × 1080p @ 50, 1600 × 1200 @ 60, 1440 × 900 @ 60, 1366 × 768 @ 60, 1280 × 1024 @ 60, 1280 × 720 @ 60, 1024 × 720 @ 50, 1024 × 768 @ 60
VGA Output	1-ch, 1920 × 1080p @ 60, 1920 × 1080p @ 50, 1600 × 1200 @ 60, 1440 × 900 @ 60, 1366 × 768 @ 60, 1280 × 1024 @ 60, 1280 × 720 @ 60, 1024 × 720 @ 50, 1024 × 768 @ 60
CVBS Output	PAL
Video Decoding Resolution	12MP, 8MP, 6MP, 5MP, 4MP, 3MP, 1080P, 1080I, 960P, 720P, D1, and CIF
Decoding Capability	2 × 1200W @ 30, 4 × 8MP @ 30, 8 × 1080P @ 60, 16 × 1080P @ 30
Display split	1/2/3/4/7/9/16
Audio	
Input	1-ch
Output	1-ch
Audio Compression	G.711μ, G.711A
Sound track	Mono
Mute	Support
External Interface	
Network Interface	2 RJ-45 10M/100M/1000M adaptive Ethernet Interfaces
USB Interface	1 USB2.0 Interface
Serial Interface	1 × RS-232, 1 × RS-485/422
Alarm Input	4-ch
Alarm Output	2-ch
General	
Power Supply	12V DC
Consumption	15 W
Working Temperature	-10° C ~ +60° C (+14° F ~ +140° F)
Working Humidity	10% ~ 90%
Weight	≤ 2.0 Kg (4.4 lb)
Dimensions (H × D × W)	40 × 250 × 189mm (1.6" × 9.8" × 7.4")

STORAGE



DEU1008 Disk Enclosure



Features

High density

The innovative enclosure with 530.4mm depth and 2U height that holds up to 8 disks, is space-saving and applicable to the standard rack-mounted scenarios.

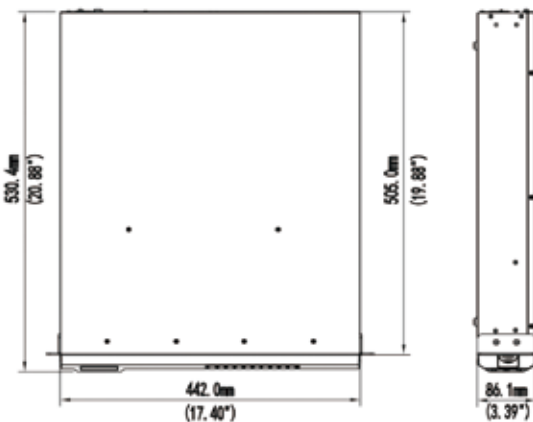
Power protection

Disk powered on sequentially during system startup, protection from impulse current.

Multistage fan speed and energy saving

Fans with multistage speed are configured in the hot-swappable frame in redundancy mode. System power consumption can be balanced intelligently with heat dissipation calculation to ensure low power consumption and stable operation of the system.

Dimension



Rear Panel



No.	Item	Description
①	Grounding terminal	Equipment grounding
③	Power interface	AC power, 100 V-240 V AC
③	Power switch	Turn on/off device when connected to power
④	Mini-SAS interface	For connection to the host

Specifications

DEU1008	
Storage	
HDD	8 SATA Interfaces
Disk Capacity	up to 6TB for each disk
External Interface	
Back-end Expansion Interface	1 Mini SAS
General	
Power Supply	100 ~ 240V
Working Environment	-10 ° C ~ 55 ° C 5% ~ 95% RH (non-condensing)
Weight (Without HDD)	< 10 kg (22lb)
Dimensions (H × W × D)	442.0 × 530.4 × 86.01mm (17.4" × 20.88" × 3.39")

DEU1016 Disk Enclosure



Features

High density

The innovative enclosure with 530.4mm depth and 3U height that holds up to 8 disks, is space-saving and applicable to the standard rack-mounted scenarios.

Power protection

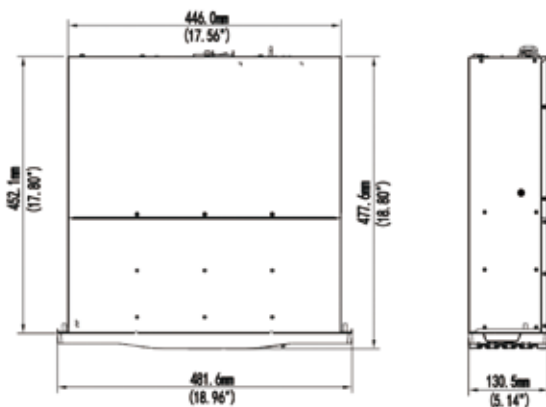
Disk powered on sequentially during system startup, protection from impulse current.

Multistage fan speed and energy saving

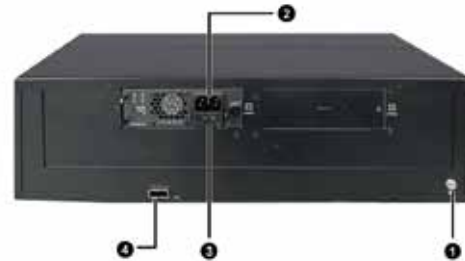
Fans with multistage speed are configured in the hot-swappable frame in redundancy mode. System power consumption can be balanced intelligently with heat dissipation calculation to ensure low power consumption and stable operation of the system.

Redundant power supplies

Dimension



Rear Panel



No.	Item	Description
①	Grounding terminal	Equipment grounding
②	Power interface	AC power, 100 V-240 V AC
③	Power switch	Turn on/off device when connected to power
④	Mini-SAS interface	For connection to the host

Specifications

DEU1016	
Storage	
HDD	16 SATA Interfaces
Disk Capacity	up to 6TB for each disk
External Interface	
Back-end Expansion Interface	1 Mini SAS
General	
Power Supply	100 ~ 240V
Working Environment	-10 ° C ~ 55 ° C 5% ~ 95% RH (non-condensing)
Weight (Without HDD)	< 10kg (22lb)
Dimensions (H × W × D)	452.1 × 481.46 × 130.5mm (17.8" × 18.96" × 5.14")

UNIVIEW PRODUCT CATALOG

Zhejiang Uniview Technologies Co., Ltd. is the pioneer and leader of IP video surveillance. Heritages profound IT technologies, we founded independently in December, 2011. We are the third largest in the overall video surveillance market in China and 12th in global market. We insist on open cooperation, focusing on high quality and improving innovative ability.

Product Line:
Network camera, NVR, encoder, decoder, IP SAN, client software and app



www.uniview.com

Sales: overseasbusiness@uniview.com
Technical Support: globalsupport@uniview.com

2016.07 OM-160721-HZ V1.0

Disclaimer: All rights reserved, including final interpretation and content amendent."



IQ TRADING - ОФИЦИАЛЬНЫЙ ДИСТРИБЬЮТОР В УКРАИНЕ
Украина, 04080, Киев, ул. Межигорская, 87-а, оф. 30
тел.: +380 (44) 351-14-37, факс: +380 (44) 351-14-38
e-mail: disti@iqtrading.com.ua, web: www.iqtrading.com.ua